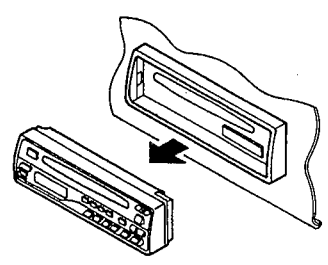
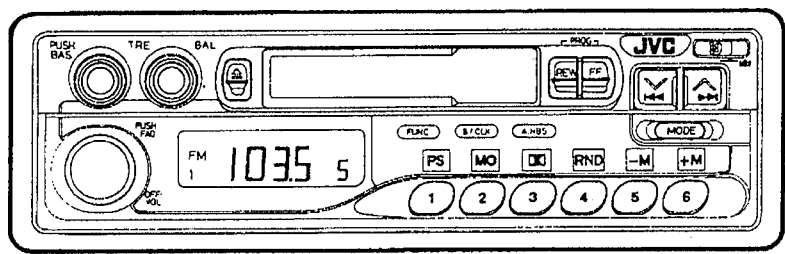


# JVC

## SERVICE MANUAL

### MULTI-CHANGER CONTROL RECEIVER

## KS-RT60 B/E/G/GI/GE




| Area Suffix |   |
|-------------|---|
| B.....      | U.K.                                    |
| E.....      | Continental Europe                      |
| G.....      | Germany                                 |
| GI.....     | Italy                                   |
| GE.....     | Austria, Switzerland and Eastern Europe |

## Contents

|   |    |   |    |
|---|----|---|----|
| 1. Main Features.....                   | 2  | 8. Wiring Connections.....                      | 27 |
| 2. Specifications.....                  | 2  | 9. Block Diagram.....                           | 28 |
| 3. Instructions(Extract).....           | 3  | 10. Standard Schematic Diagram.....             | 31 |
| 4. Location of Main Parts.....          | 14 | 11. Location of P.C. Board Parts.....           | 37 |
| 5. Removal of Main Parts.....           | 15 | 12. Electrical Parts List.....                  | 39 |
| 6. Main Adjustment.....                 | 17 | 13. Illustration of Packing and Parts List..... | 52 |
| 7. Analytic Drawing and Parts List..... | 22 | 14. Accessories.....                            | 53 |

# 1. Main Features

- Detachable Control Panel
- Controller for the operation of CD changers containing up to 108 compact discs (for example, when 6 JVC XL-MG1800 CD Changers are connected, each containing 3 magazines with 6 discs, consequently having access of up to 108 discs)
- High Sensitivity Tuner
- AM/FM Stereo PLL Synthesizer Tuner
- 24-Station Preset Tuning (FM-18, AM [MW/LW]-6)
- Preset Scan/Seek/Manual Tuning
- SK/DK Traffic Information Reception (G/GE)
- U-Turn Auto-Reverse Mechanism
- Ignition Key-off Release/Key-on Play Mechanism
- Dolby\* B Noise Reduction
- 4-Channel Amplifier System
- Maximum Power Output of 22 watts per channel (Front)/22 watts per channel (Rear)
- Active Hyper-Bass Sound
- Digital Clock Display
- Line Output Terminal

\* Dolby Noise Reduction manufactured under license from Dolby Laboratories Licensing Corporation. "Dolby" and the double-D symbol  are trademarks of Dolby Laboratories Licensing Corporation.

# 2. Specifications

## AUDIO AMPLIFIER SECTION

Maximum Power Output: (Front) 22 W per channel (Rear) 22 W per channel  
 Continuous Power Output (RMS): (Front) 8 W per channel into 4  $\Omega$ , 40 to 20,000 Hz at no more than 0.8% total harmonic distortion. (Rear) 8 W per channel into 4  $\Omega$ , 40 to 20,000 Hz at no more than 0.8% total harmonic distortion.  
 Load Impedance: 4  $\Omega$  (4 to 8  $\Omega$  allowance)  
 Tone Control Range  
 Bass:  $\pm 10$  dB at 100 Hz  
 Treble:  $\pm 10$  dB at 10 kHz  
 Frequency Response: 40 to 20,000 Hz  
 Signal-to-Noise Ratio: 70 dB  
 Line-Out Level/Impedance: 0.5 V/20 k $\Omega$  load (250 nWb/m)

## RADIO SECTION

Frequency Range  
 FM: 87.5 to 108.0 MHz  
 AM: (MW) 522 to 1,620 kHz  
 (LW) 144 to 279 kHz  
 [FM Tuner]  
 Usable Sensitivity: 12.1 dBf (1.1  $\mu$ V/75  $\Omega$ )  
 50 dB Quietening Sensitivity: 16.3 dBf (1.8  $\mu$ V/75  $\Omega$ )  
 Alternate Channel Selectivity: (400 kHz): 65 dB  
 Frequency Response: 40 to 15,000 Hz  
 Stereo Separation: 30 dB  
 Capture Ratio: 1.5 dB  
 [MW Tuner]  
 Sensitivity: 20  $\mu$ V  
 Selectivity: 35 dB  
 [LW Tuner]  
 Sensitivity: 50  $\mu$ V

## CASSETTE DECK SECTION

Wow & Flutter: 0.11% (WRMS)  
 Fast-Wind Time: 100 sec. (C-60)  
 Frequency Response: 50 to 16,000 Hz ( $\pm 3$  dB)  
 Signal-to-Noise Ratio (Dolby NR-ON): 60 dB  
 (Dolby NR-OFF): 52 dB  
 Stereo Separation: 40 dB

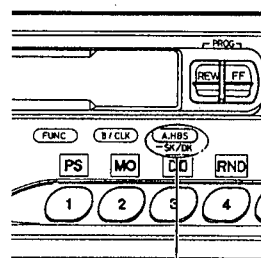
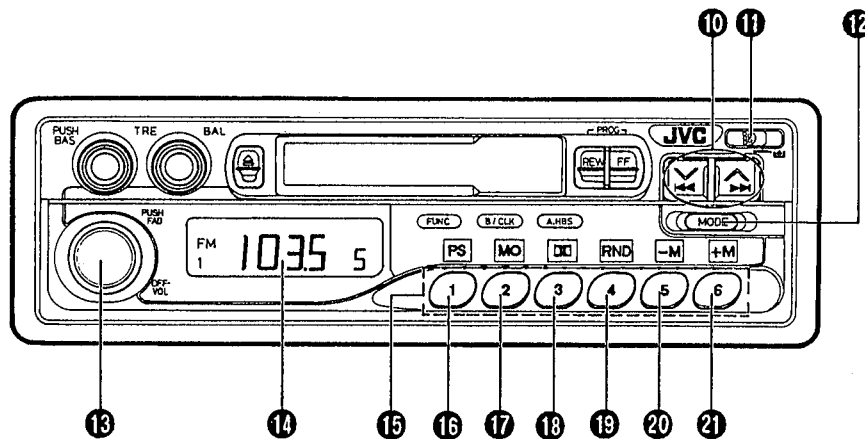
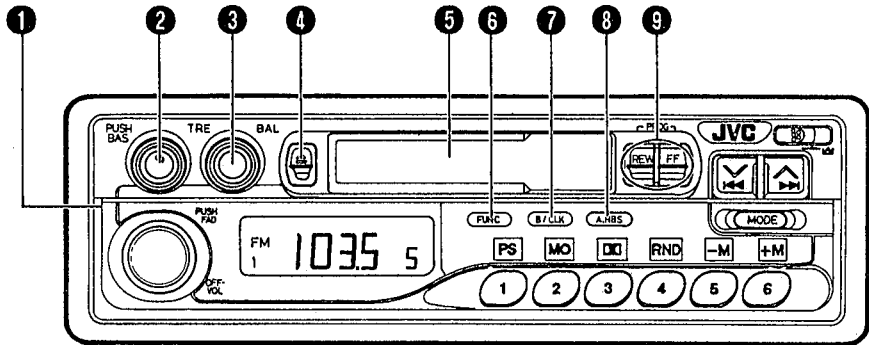
## GENERAL

Power Requirement  
 Operating Voltage: DC 14.4 volts (11 to 16 volts allowance)  
 Grounding System: Negative ground  
 Dimensions (W x H x D) Installation Size:  
 178 x 50 x 151 mm (7-1/16" x 2" x 6")  
 Panel Size: 190 x 58 x 18 mm  
 (7-1/2" x 2-5/16" x 3/4")  
 Gross Weight: 2.1 kg (4.7 lbs)

*Design and specifications subject to change without notice.*

### 3. Instructions ( Extract )

#### LOCATION OF CONTROLS

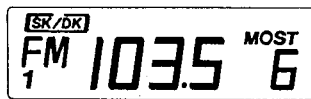


(G/GE)

22

- |  |  |
|--|--|
| <ul style="list-style-type: none"> <li>1 Control panel</li> <li>2 Treble (TRE)/Push bass (PUSH BAS) Control</li> <li>3 Balance (BAL) Control</li> <li>4 Eject (▲) button</li> <li>5 Cassette loading slot</li> <li>6 Function (FUNC) button</li> <li>7 Band (B)/Clock (CLK) button</li> <li>8 Active Hyper-Bass Sound (A.HBS) button (B/E/GI)</li> <li>9 Program (PROG)/REW, FF buttons</li> </ul> | <ul style="list-style-type: none"> <li>10 Tuning/Time Adjustment/Skip (search) button<br/>Down frequency/Hour adjustment (▼)/(◀◀)</li> <li>Up frequency/Minute adjustment (▲)/(▶▶)</li> <li>11 Control Panel Release (▲) switch</li> <li>12 MODE button</li> <li>13 Power ON-OFF/Volume (VOL)/Push fader (PUSH FAD) controls</li> <li>14 Display window</li> </ul> |
|--|--|

23



24



25



26



- 15 Preset Station buttons (No.1 to No.6)  
Disc Number buttons (No.1 to No.6)
- 22 Active Hyper-Bass Sound (A.HBS) button  
SK/DK button (G/GE)

• Press the following buttons after the MODE button has been pressed and its red indicator is lit. Five seconds after completing the operation, the MODE button's red indicator goes out.

- 16 Preset Scan (PS) button
- 17 MONO (MO) button
- 18 Dolby B NR (D) button
- 19 Random (RND) button
- 20 Magazine select (-M) button
- 21 Magazine select (+M) button

- 23 Indicators (for Tuner section)  
Band (FM1-FM2-FM3-AM)  
Radio frequency  
Preset Station  
FM Stereo (ST)  
Mono (MO)  
SK/DK (G/GE)  
---

- 24 Indicators (for Tape Deck section)  
TAPE mode  
Tape direction (◀▶)  
Dolby B (D) NR

- 25 Indicators (for CD Changer Control sections)  
Disc number  
Track number  
Magazine number  
DISC  
TRACK  
MAG  
RND  
---

○ E1 - ○ E8

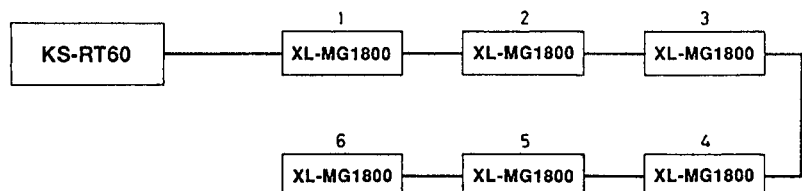
- 26 Indicators (for other controls)  
Time

### CD AUTOMATIC CHANGER OPERATION

#### PRECAUTIONS

- This unit is for the control of a JVC CD Automatic Changer (to be purchased separately).  
(Applicable models; XL-MK500/MG700RF/MG800RF/MG1800)
- For correct usage, refer to the Instructions of the CD Automatic Changer.
- When a cassette is loaded while a CD is playing, cassette playback has priority.
- When there are no discs in the CD changer's magazine or the discs are inserted upside down, "----" will be shown in the display. If this happens, remove the magazine and set the discs correctly.
- When "○ E1 - ○ E8" is shown in the display of the unit, confirm that the cord is connected and press the RESET button of the CD Changer.  
\* The "○" shows the number of CD changers connected to this unit.

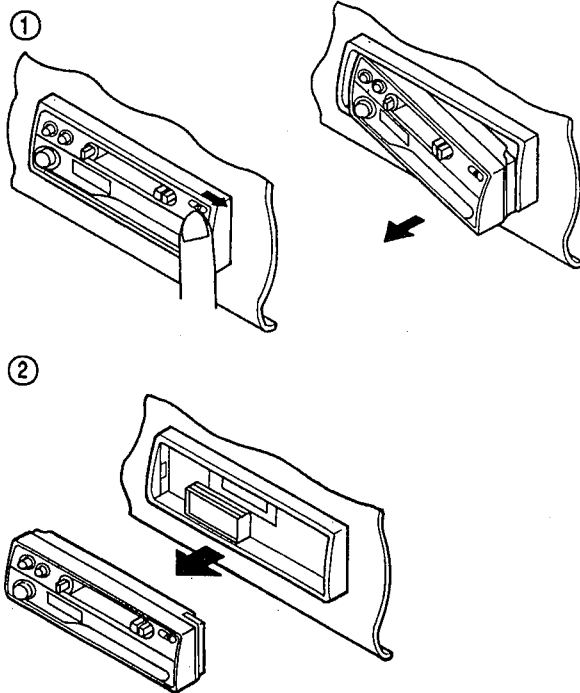
Example: When 6 XL-MG1800 changers are connected.



("E1" means that the 5th CD changer is the cause of the trouble.)

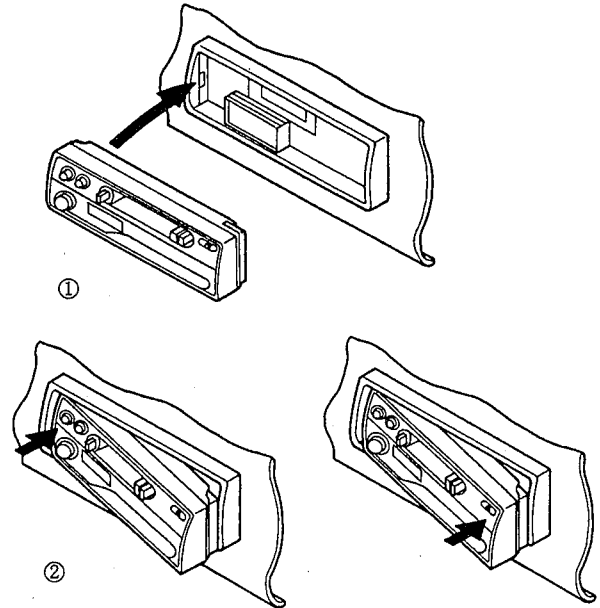
**How To Detach The Control Panel**

- ① Slide the Control Panel Release (⏏) switch in the direction of the arrow to detach the control panel.
- ② Pull the control panel out of the main unit, as shown below.
  - Put the control panel in the provided case for protection.



**How To Attach The Control Panel**

- ① Align the left side of the control panel with the left side of the holder.
- ② Press the left side of the control panel first, then the right side to set it correctly.



**Note:**

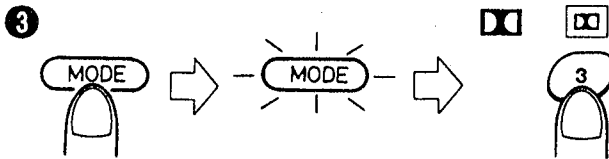
- Be careful not to damage the connector terminals when attaching/detaching the control panel or while the control panel is removed.

**Active Hyper-Bass Sound Button**

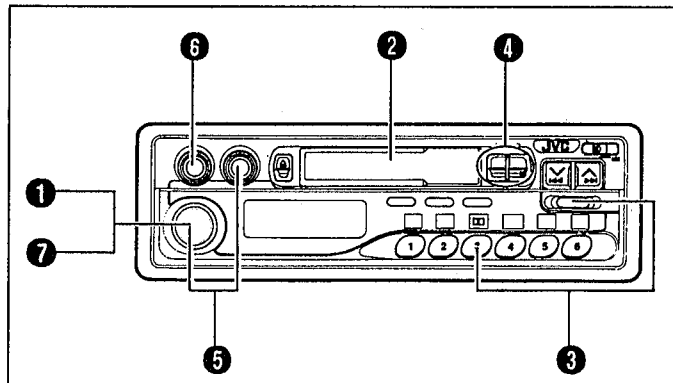
Press the A.HBS button to listen to hyper-bass sound. (The A.HBS button lights red.)

**TAPE OPERATION**

Operate in the order shown.



See page 19.

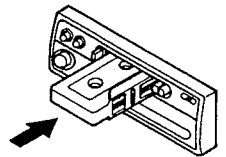


**1 OFF - VOL**



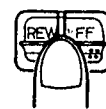
Switch on.

**2**



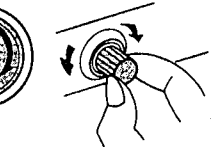
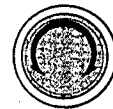
Insert a cassette.

**4 PROG**



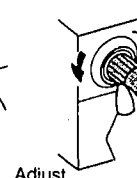
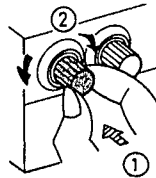
Select program.

**5 VOL BAL**



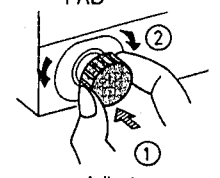
Adjust.

**6 PUSH BAS**



Adjust.

**7 PUSH FAD**



Adjust.

**• DOLBY B NR button**

Set the Dolby B NR (DB) button as required after the MODE button has been pressed and its red indicator is lit.

ON — (DB) indicator lights.

OFF — (DB) indicator goes out.

**Ignition Key-Off Release (Key-On Play) Mechanism**

When the ignition key is turned OFF, the "key-OFF release" mechanism automatically releases the tape from the magnetic head, then enters Standby mode. When the ignition is turned ON, Playback mode automatically restarts.

**How To Fast-Forward And Rewind Tapes**

Press the FF button to fast-forward the side being played; when the tape end is detected, the tape is reversed and playback starts from the beginning of the other side.

Press the REW button to rewind the tape to its beginning, where playback restarts.

Lightly press the PROG button to start playback from the current position during fast-forward or rewind.

**Auto-Reverse Mechanism**

When the tape reaches its end, this mechanism automatically switches over to play back the other side. To listen to the other side of the tape during playback, press the PROG button. The change in direction can be checked in the Tape Direction indicator.

**Manual Tuning**

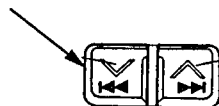
Set Manual mode using the MODE button. When the MODE button's red indicator is lit, the unit is in Manual mode. Then, by pressing the Tuning button, you can move up/down the frequency band. The band is scanned as long as either side of the button is pressed.

Frequency scan steps are as follows:  
 FM — in 50 kHz units  
 MW/LW — in 9 kHz units.

In AM operation, the frequency continuously moves from the MW (522 to 1,620 kHz) to LW (144 to 279 kHz) band and vice versa.

• When approx. 5 seconds have elapsed after completing manual tuning, the unit switches back to Seek mode and the MODE button's red indicator goes out.

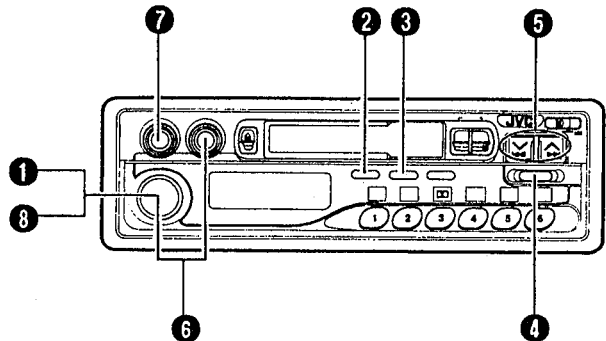
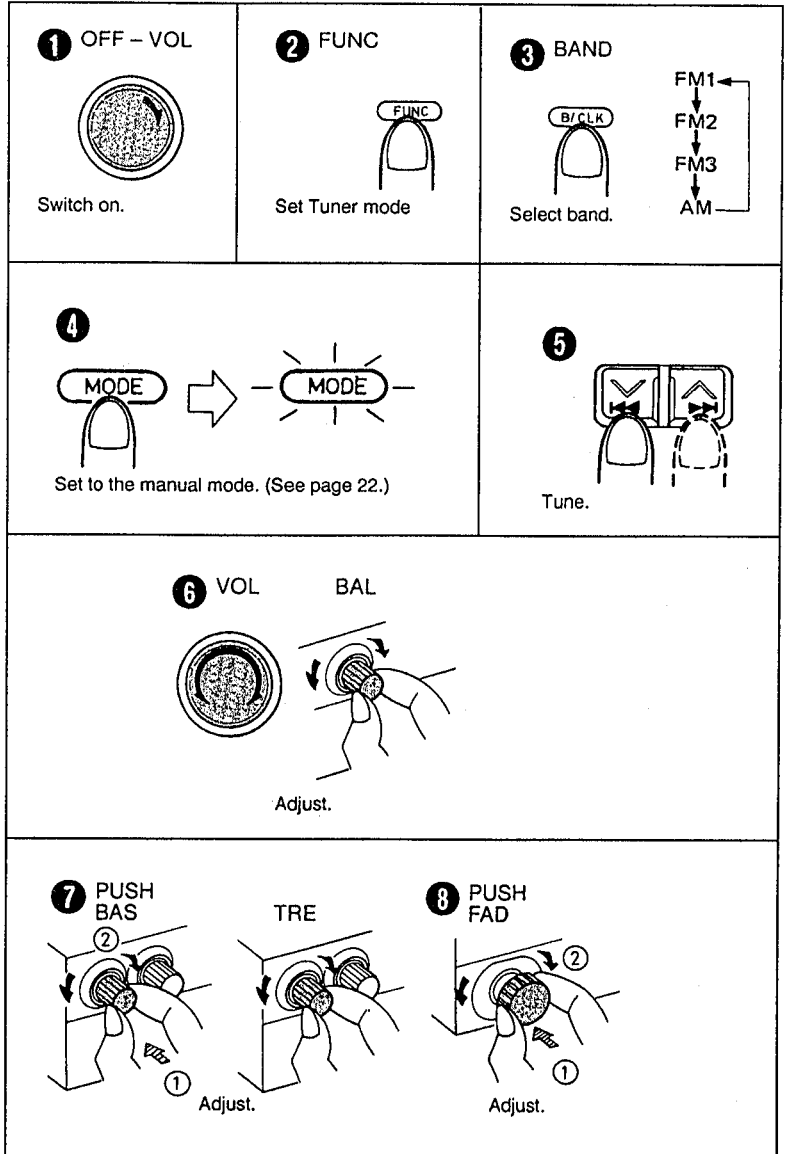
Press to move to lower frequencies.



Press to move to higher frequencies.

**RADIO OPERATION**

Operate in the order shown.



### Seek Tuning

The unit is in Seek mode when the MODE button's red indicator goes out. Then, by pressing the  $\wedge$  or  $\vee$  button the unit tunes to the adjacent station with a higher or lower frequency. In AM operation, the frequency continuously moves from the MW to LW band and vice versa.

### Preset Button Tuning

#### How to Preset Stations

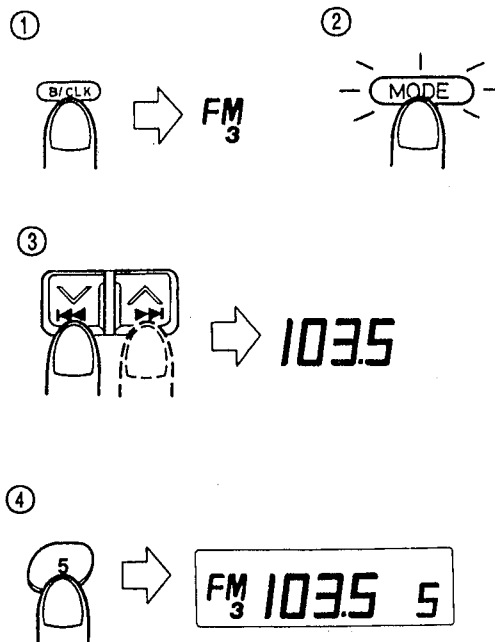
6 stations in each band (FM1, FM2, FM3 and AM [MW/LW]) can be preset as follows:

- Example (when presetting Preset Station button "5" of the FM3 band to an FM station at 103.5 MHz)

- ① Select the FM3 band using the Band (B) button.
  - ② Set Manual mode.
  - ③ Tune to the desired station.
  - ④ Press Preset Station button "5" for more than 2 seconds. (When "5" blinks in the Preset Station display, the station is preset.)
- Repeat the above procedure for the other 5 Preset Station buttons and other bands (FM1, FM2 and AM [MW/LW]).

#### Notes:

- A previously preset station is erased when a new station is stored in memory.
- The preset stations are erased when the power supply to the memory circuit is interrupted during battery replacement, etc. When this occurs, preset the stations again.



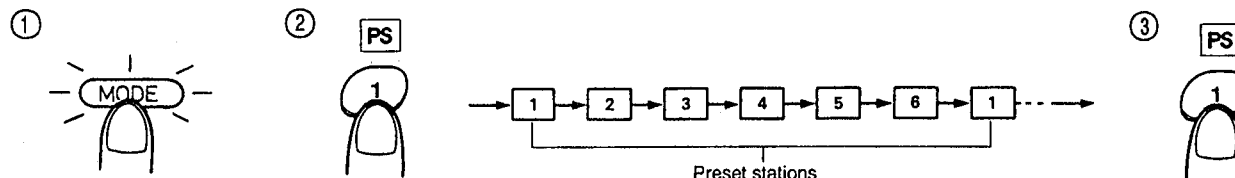
### Preset Tuning

- ① Select the band.
- ② Press the required Preset Station buttons (No.1 to No.6).

### Preset Scan Button Tuning

This function makes it possible to automatically scan preset FM and AM (MW/LW) stations.

- ① Press the MODE button (its red indicator lights).
- ② Press the PS button.
  - Scanning is performed in the order of the preset stations in each frequency band (FM1, FM2, FM3 and AM [MW/LW]). Each preset station is heard for approx. 5 seconds.
- ③ When the required station is heard, press the PS button again.



**Receiving Traffic Information Broadcasts (G/GE version only)**

1. Select the FM1, FM2 or FM3 band using the Band (B) button.
2. Press the SK/DK button for more than 1 second before operation. The SK/DK indicator lights.
3. Perform Seek Tuning to search for a station broadcasting traffic information. When such a station is received, the **SK/DK** indicator will light and the broadcast can be heard.
4. As long as the tuner is set to receive traffic information stations, even if you are listening to a cassette tape or CD, when traffic information is broadcast, it is automatically heard. When the broadcast is over, cassette or CD playback restarts. While listening to traffic information broadcasts, if the signal becomes weak, a stronger station is searched for automatically.

**Notes:**

1. The SK/DK button operates when in FM mode only.
2. When listening to an FM broadcast, if the tuner is not set to a traffic information station, after approx. 5 seconds an alarm tone will be heard. If the reception is poor, after approx. 30 seconds an alarm tone will be heard. In such a case, perform Seek Tuning or press the SK/DK button for more than 1 second.

**Mono Button**

When listening to FM, set the MO button to STEREO or MONO after the MODE button has been pressed and its red indicator is lit.

**Note:**

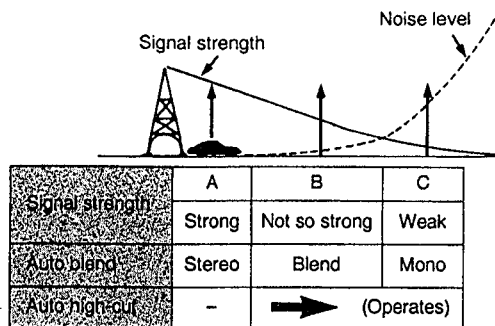
Set to MONO when a stereo FM broadcast is too noisy and cannot be heard satisfactorily.

**FM Pulse Noise Suppressor**

This unit has built-in circuitry to effectively eliminate engine noise picked up by the antenna, etc. in the form of FM pulses, for a more favorable FM reception.

**Automatic FM Noise Suppressor (AFNS)**

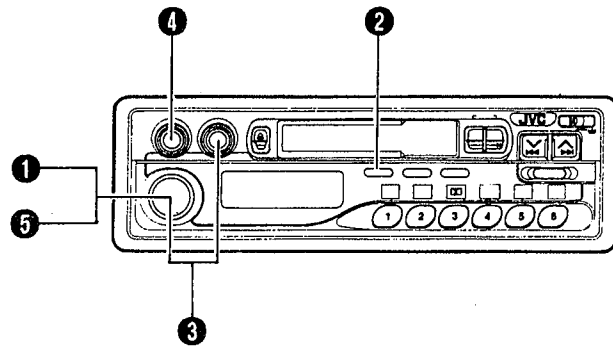
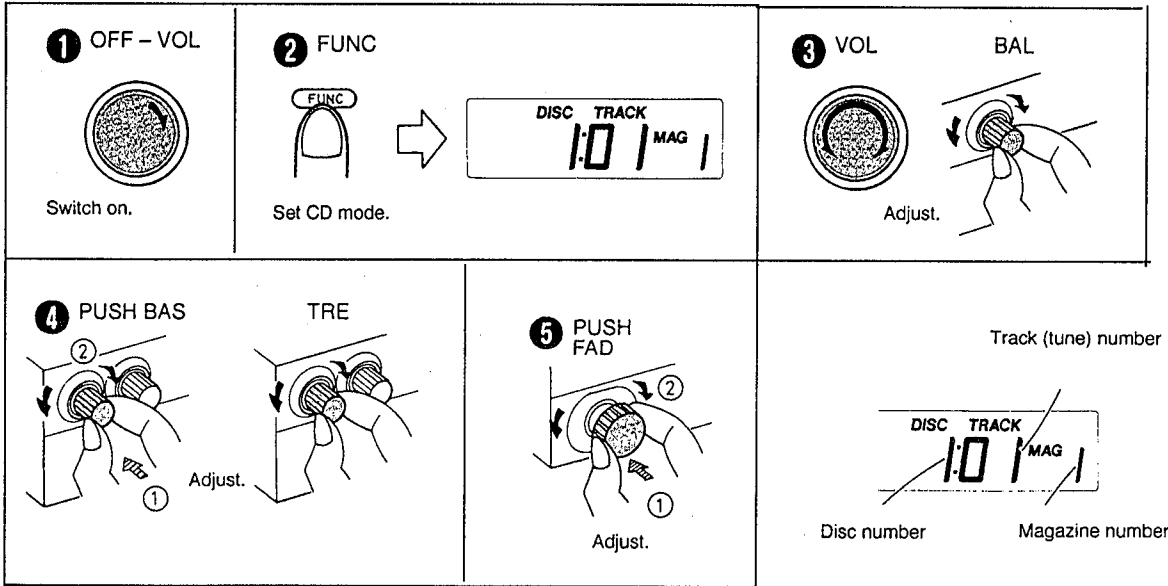
This unit incorporates an automatic FM noise suppression circuit to ensure satisfactory reception of FM broadcasts when a vehicle is moving and signal strengths are continuously fluctuating.





**PLAYING COMPACT DISCS**

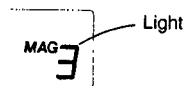
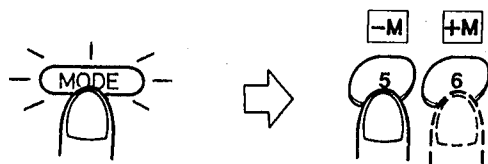
How To Play All Tracks  
Operate in the order shown.



- When all tracks on the first disc have been played, the second disc starts automatically from the first track.

**Magazine Selection**

- Press the Magazine Select button (+M/-M) after the MODE button has been pressed and its red indicator is lit; to select the required magazine.  
(Example: to select the 3rd magazine in the XL-MG1800 changer.)



- When selecting the 10th or higher magazine with four or more connected XL-MG1800 changers, the unit digit of the magazine number blinks.  
(For example, when the 18th magazine is being selected, the "8" blinks.)

**Note:**  
The KS-RT60 can be connected to up to 6 XL-MG1800s, each containing 3 magazines, which means that the KS-RT60 can control up to 18 magazines.

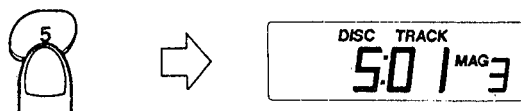
## Disc Selection

### • Direct Disc Selection

Press the Disc No. button (No.1 to No.6) corresponding to the required disc. CD play starts when the Disc No. and Track No. indicators light.

Example:

(How to designate Disc 5)

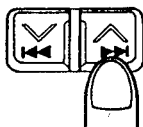


## Skip Playback

- During playback, you can easily skip to the beginning of the previous, current, or next track, and playback will start again from there.

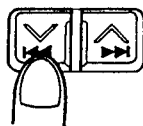
### How to listen to the next track...

Press the (▶▶) button once to skip to the beginning of the next track.



### How to listen to the previous track...

Press the (◀◀) button once to skip to the beginning of the current track, then again to skip to the previous track.



- When Magazine Select, Disc Select and Skip operations are performed in sequence, the required track from a designated disc can be selected.

## Search Playback

(How to locate a required position on the disc.)

- The required position can be located using fast-forward or reverse search during playback.
- Hold down the button to commence searching. (The search speed increases the longer the button is pressed.)
- Since a low sound level can be heard (approx. one quarter of playback), monitor the sound and release the button when the required position is located.

Keep pressed for fast-reverse searching.



Keep pressed for fast-forward searching.

## Random Playback

Each time the RND button is pressed after the MODE button has been pressed and its red indicator is lit, the mode changes from Random 1 (the RND indicator lights) to Random 2 (the RND indicator blinks) to Clear mode, in this order.

### Random 1:

Randomly plays all tracks on the current disc once, then on each of the following discs in order.

### Random 2:

Randomly selects and plays tracks from all of the CDs in the loaded magazine.

## DIGITAL CLOCK DISPLAY

### • How to turn the clock display ON/OFF.

When listening to a tape (or CD), each time the CLK button is pressed, the time or "TAPE" (or CD information) can be displayed.

When the unit is in Tuner mode, press the CLK button for more than 2 seconds to select the time.

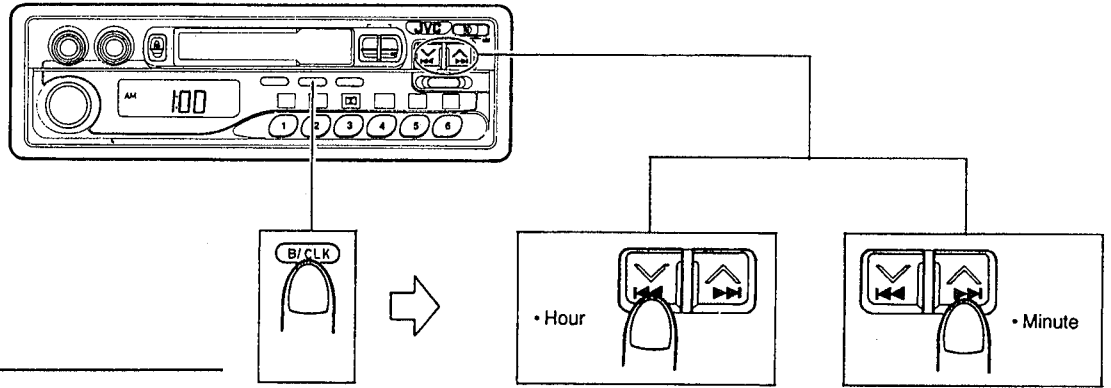
When the tuner or CD is operated in Time mode, the display will switch to tuner or CD information, then, after a brief period will return to Time mode.

When listening to a tape, "TAPE" or the current time is shown in the display.

### How To Adjust The Time

Make sure the display is in Time mode, then, while pressing the CLK button, press the Hour Adjustment button (∨) to adjust the "hours", and press the Minute Adjustment button (∧) to adjust the "minutes".

- Each time the hour digits change from 11 to 12, the display alternates between AM and PM. (12 midnight is indicated as "AM 12:00" and 12 noon is indicated as "PM 12:00".)



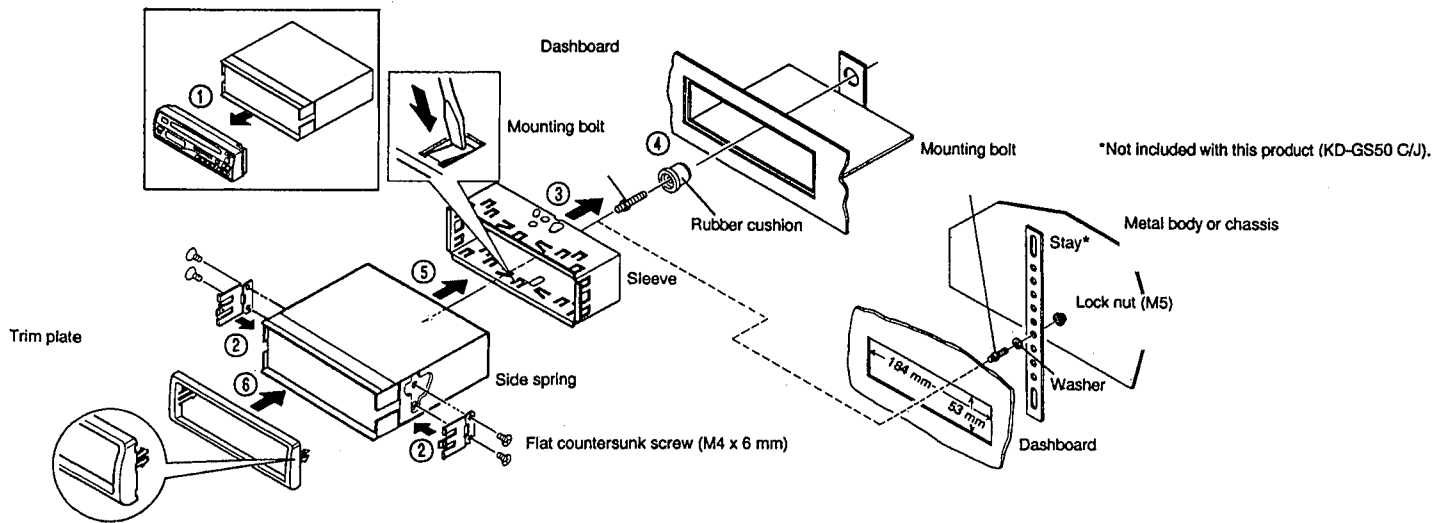
**INSTALLATION  
(IN-DASH MOUNTING)**

**IMPORTANT**

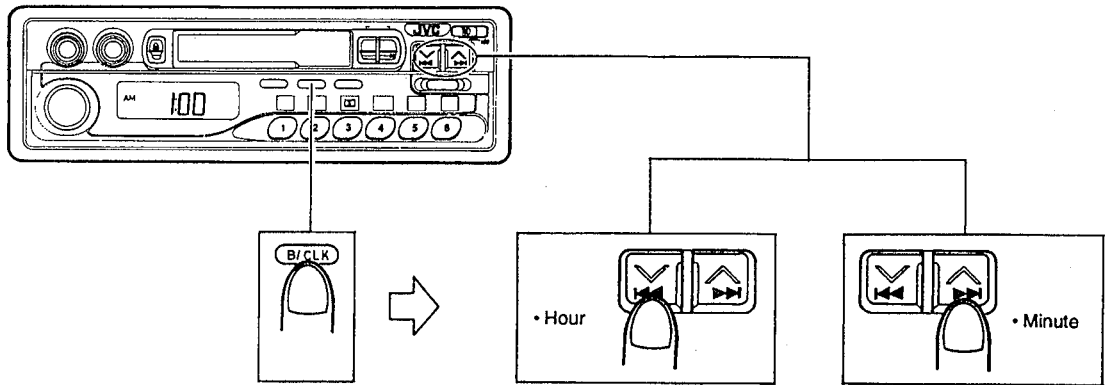
- Before using this unit for the first time, press the Eject button fully, to reset the mechanism.

• The following illustration shows a typical installation. However, you should make adjustments corresponding to your specific car. If you have any questions or require information regarding installation kits, consult your JVC "IN-CAR ENTERTAINMENT" dealer.

- Follow the numbers for mounting.



- ① Slide the Control Panel Release (⏏) switch to the right and remove the control panel.
- ② Attach the 2 side springs.
- ③ Install the sleeve in the dashboard.  
\* After the sleeve is correctly installed in the dashboard, bend the appropriate tabs to hold the sleeve firmly in place, as shown.
- ④ Fix the mounting bolt to the rear of the unit's body and place the rubber cushion over the end of the bolt.
- ⑤ Slide the unit into the sleeve until they are locked together.
- ⑥ Attach the trim plate.



## INSTALLATION (IN-DASH MOUNTING)

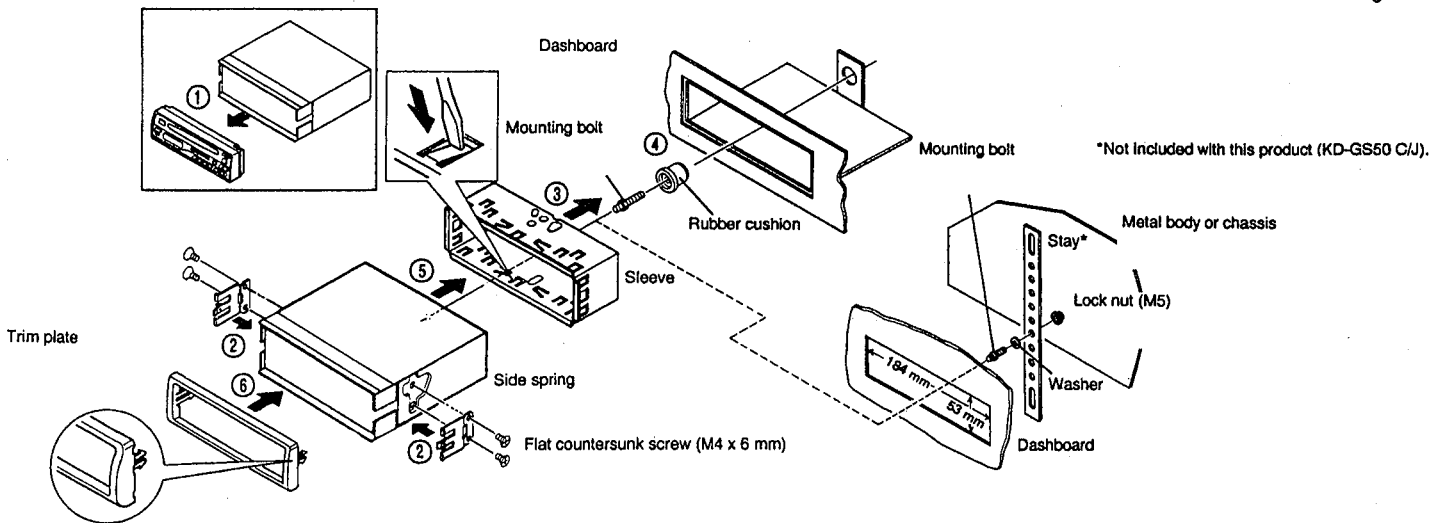
### IMPORTANT

- Before using this unit for the first time, press the Eject button fully, to reset the mechanism.

- The following illustration shows a typical installation. However, you should make adjustments corresponding to your specific car. If you have any questions or require information regarding installation kits, consult your JVC "IN-CAR ENTERTAINMENT" dealer.

- ① Slide the Control Panel Release (▲) switch to the right and remove the control panel.
- ② Attach the 2 side springs.
- ③ Install the sleeve in the dashboard.  
\* After the sleeve is correctly installed in the dashboard, bend the appropriate tabs to hold the sleeve firmly in place, as shown.
- ④ Fix the mounting bolt to the rear of the unit's body and place the rubber cushion over the end of the bolt.
- ⑤ Slide the unit into the sleeve until they are locked together.
- ⑥ Attach the trim plate.

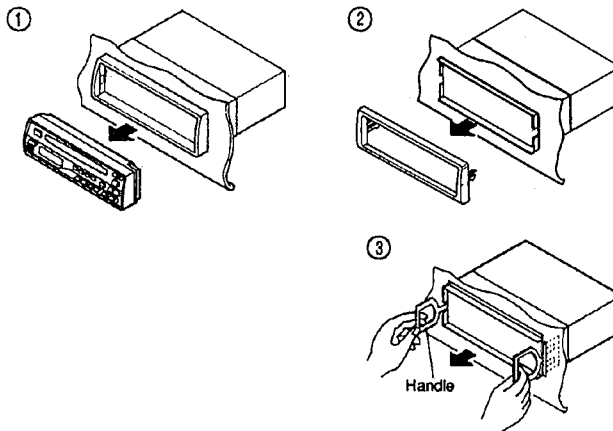
- Follow the numbers for mounting.



### Removing the unit

- Before removing the unit, release the rear section.

- ① Remove the control panel.
- ② Remove the trim plate.
- ③ Insert the 2 handles between the side springs and the sleeve, as shown. Then, while gently pulling the handles away from each other, slide out the unit.



## ELECTRICAL CONNECTIONS

To prevent short circuits, we recommend that you disconnect the battery's negative terminal and make all electrical connections before installing the unit. If you are not sure how to install this unit correctly, have it installed by a qualified technician.

**Note:**

This unit is designed for a 12-volt DC negative ground. If your vehicle does not have this system, a voltage inverter is required, which can be purchased at JVC car audio dealers.

- Maximum input of the speakers should be more than 22 watts at the rear and 22 watts at the front, with an impedance of 4 to 8 ohms.

**CAUTIONS:**

As this unit uses BTL (Balanced Transformerless) amplifier circuitry (floating ground system), please comply with the following:

1. Do NOT connect the black-lined speaker leads to a common point.
2. Do NOT connect the speaker leads to the metal body or chassis.
3. Cover the terminals of the leads that are NOT used with insulating tape, to prevent them from shorting.

- Be sure to ground this unit to the car's chassis.

### B. Line Terminal Connections (Line Out)

Since this unit has line-out terminals, an amplifier and other equipment can be used to upgrade your car stereo system.

- With an amplifier, connect this unit's line-out terminals to the amplifier's line-in terminals.

### C. Automatic Antenna Connections

To use the automatic antenna, connect its remote lead (blue with white lines) terminal. For details of installation, see the automatic antenna's Instruction Manual.

### D. Memory Back-Up Lead

Connect this lead to a LIVE power source (supplied even when vehicle ignition is OFF).

### E. Fader Control

- When used in a 4-speaker system  
When the PUSH FAD control is turned counterclockwise, the sound will be heard from the front speakers, and when turned clockwise, from the rear speakers.
- When used in a 2-speaker system  
Set this control to the center position.

### A. 4-Speaker Connections

- When attaching the connectors, make sure a click sound is heard.
- When detaching the connectors, first disengage the lock.

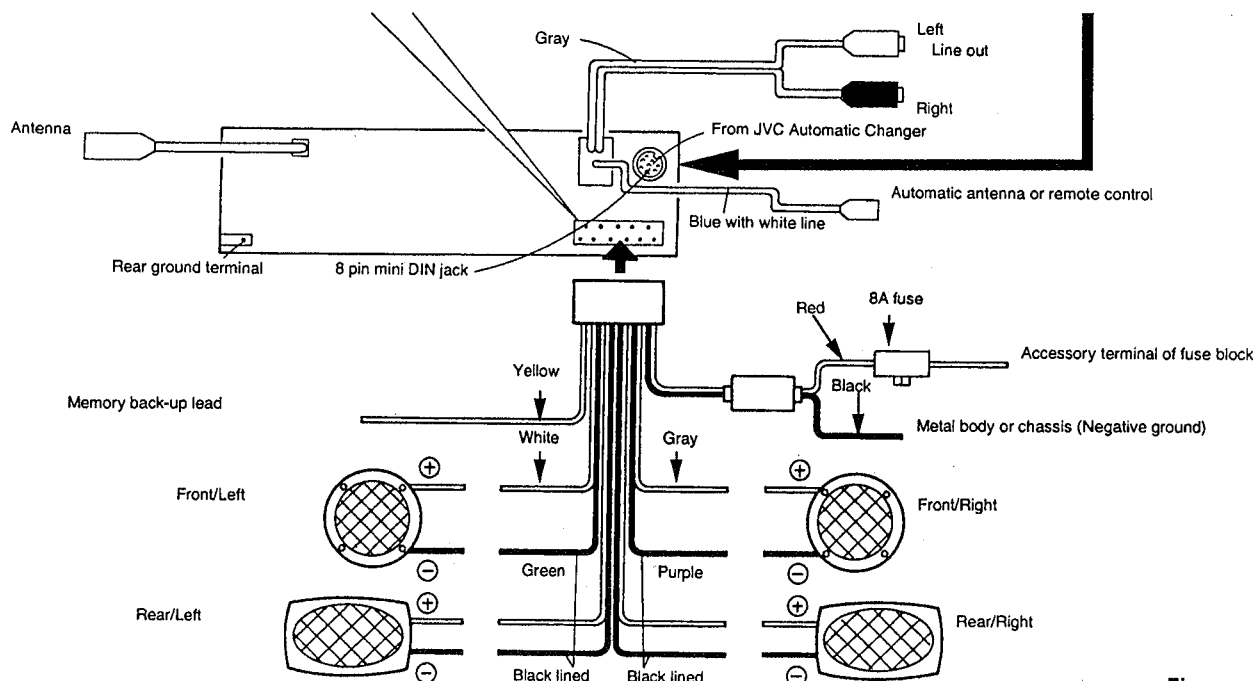
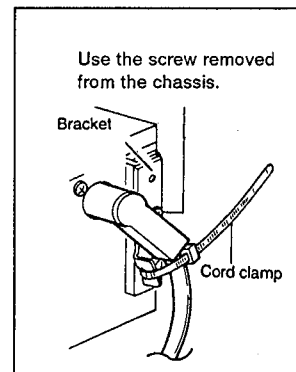
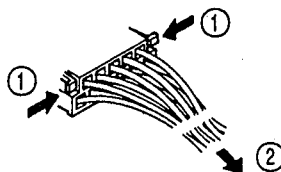


Fig. a

## 4. Location of Main Parts

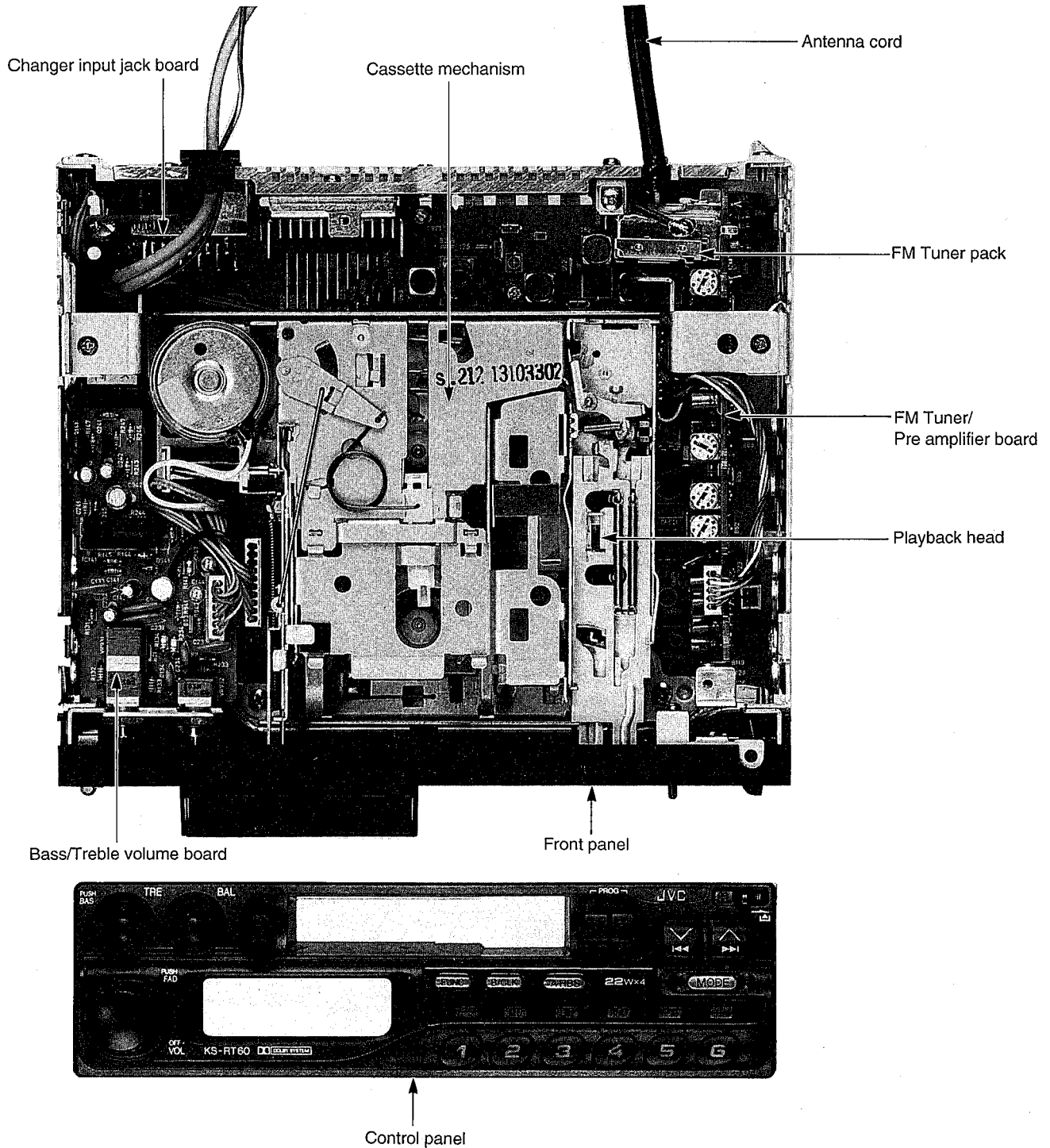


Fig. 4-1

## 5. Removal of Main Parts

### Method of removing the top cover

(Refer to Fig. 5 - 1, 5 - 2, and 5 - 3)

1. From the back of the body, remove the two screws(1)retaining the top cover.
2. Insert a minus screw driver into the clearance between the body and top cover and disengage the two engagements(A and B)retaining the top cover.

### Method of removing the bottom cover

(Refer to Fig. 5 - 1)

1. From the back of the body, remove the one screw(2)retaining the bottom cover.
2. Insert a minus screw driver into the clearance between the body and bottom cover and disengage the two engagements(C and D)retaining the top cover.

### Method of removing the front panel

(Refer to Fig. 5 - 2 and 5 - 3)

1. Press the control panel release button and remove the control panel from the body.
2. Disengage the four engagements ( a, b, c and d )retaining the front panel with a minus screw driver.
3. When the front panel has been removed, the connector CP701 on the relay P.C. board attached to the front panel and the connector CJ701 on the main amplifier P.C. board will be disconnected automatically.

### Method of removing the cassette mechanism assembly

(Refer to Fig. 5 - 4)

1. From the connector CP911 on the preamplifier P. C. board, remove the #5 PIN connector outgoing from the head relay P.C. board.
2. Remove the four screws(3 × 2 and 4 × 2)retaining the cassette mechanism assembly.
3. From the connector on the mechanism switch P.C. board, remove the #10 PIN connector outgoing from W901 on the main amplifier P.C. board.

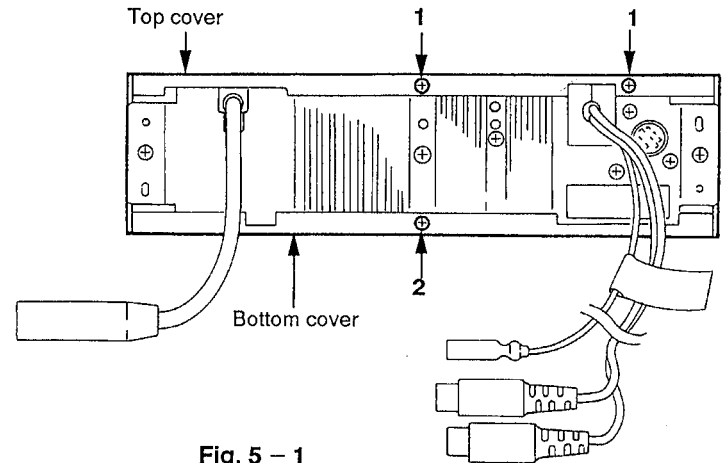


Fig. 5 - 1

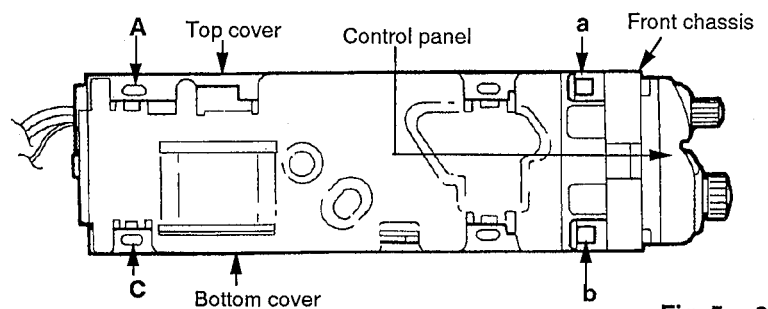


Fig. 5 - 2

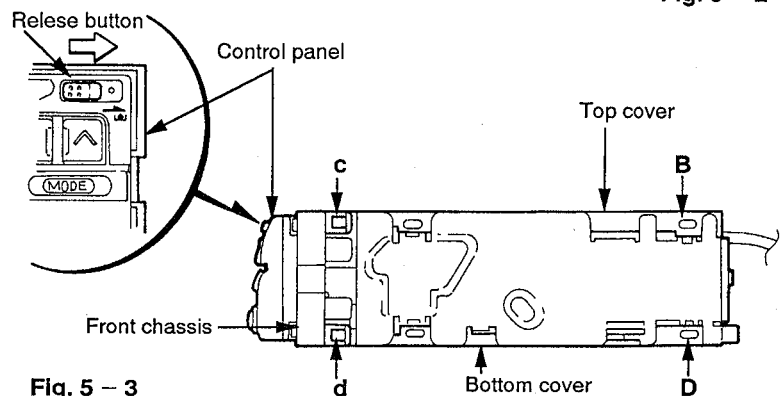


Fig. 5 - 3

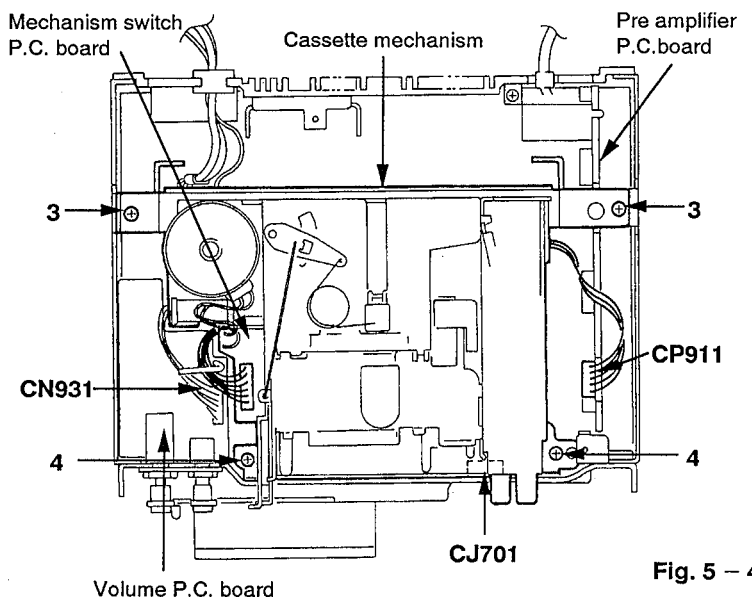


Fig. 5 - 4

■ Method of removing the preamplifier P.C. board (Refer to Fig. 5 - 5 and 5 - 6)

1. Remove the one screw(5) retaining the antenna cord.
2. Remove the one screw(6) retaining the preamplifier P.C. board.
3. Disengage the connection between the four connectors(CJ1, CJ2, CJ3, CJ912) on the preamplifier P.C. board and the four connectors(CP1, CP2, CP3, CP912) on the main amplifier P.C. board.

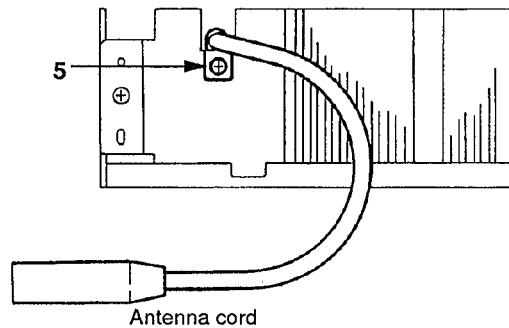


Fig. 5 - 5

■ Method of removing the volume P.C. board (Refer to Fig. 5 - 4 and 5 - 6)

1. Remove the two shaft knobs from the "BASS/TREBLE/BALANCE" volume shaft.
2. From the body, remove the two nuts retaining the "BASS/TREBLE/BALANCE" volume.
3. Remove the volume P.C. board from the front bracket. (Refer to Fig. 5 - 4)

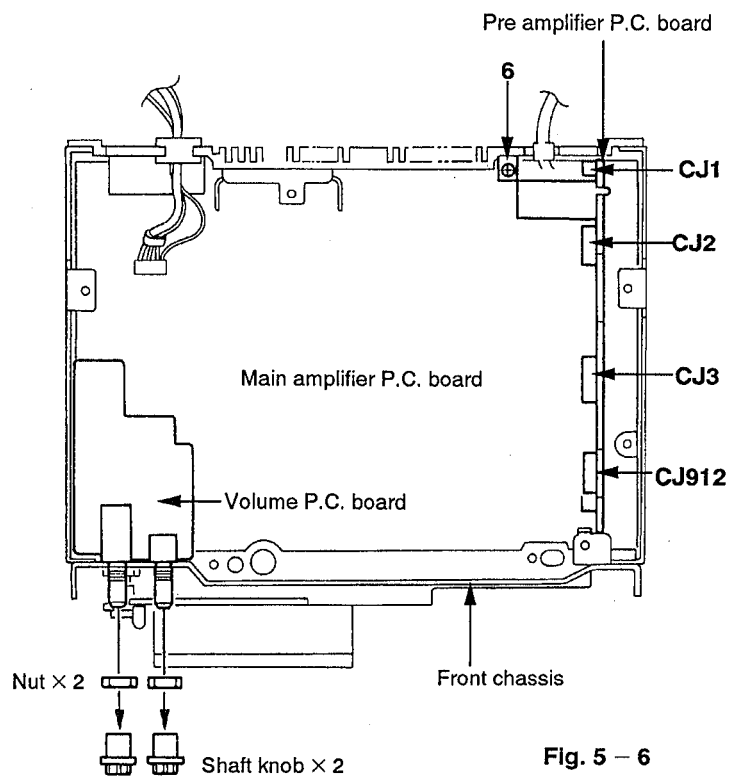


Fig. 5 - 6



## 6. Main Adjustment

### ■ Test Instruments required for adjustment

1. Digital oscilloscope(100 MHz)
2. AM Standard signal generator
3. FM Standard signal generator
4. Stereo modulator
5. Electric voltmeter
6. Digital tester
7. Tracking offset meter
8. Pulse jitter meter
9. Test Tapes
  - VTT721 ..... For Output level measurement
  - VTT726 ..... For distortion measurement
  - VTT736 ..... For playback frequency measurement
  - VTT712 ..... For wow flutter&tape speed measurement
  - VTT704 ..... For head azimuth measurement
10. Torque gauge.....Cassette type for CTG – N  
(mechanism adjustment)  
TW – 2111A(FWD PLAY)  
TW – 2121A(REV PLAY)

### ■ Measuring conditions (Amplifier section)

- Power supply voltage..... DC14.4V(10.5~16V)
- Load impedance.....4 Ω ( 4 Speaker connection)  
20k Ω (LINE OUT : 2ch)

### ● Standard volume position

Balance and Bass & Treble volume to be centre. Output level to be adjusted to 2V with test tape VTT724.

### ■ Arrangement of adjusting position

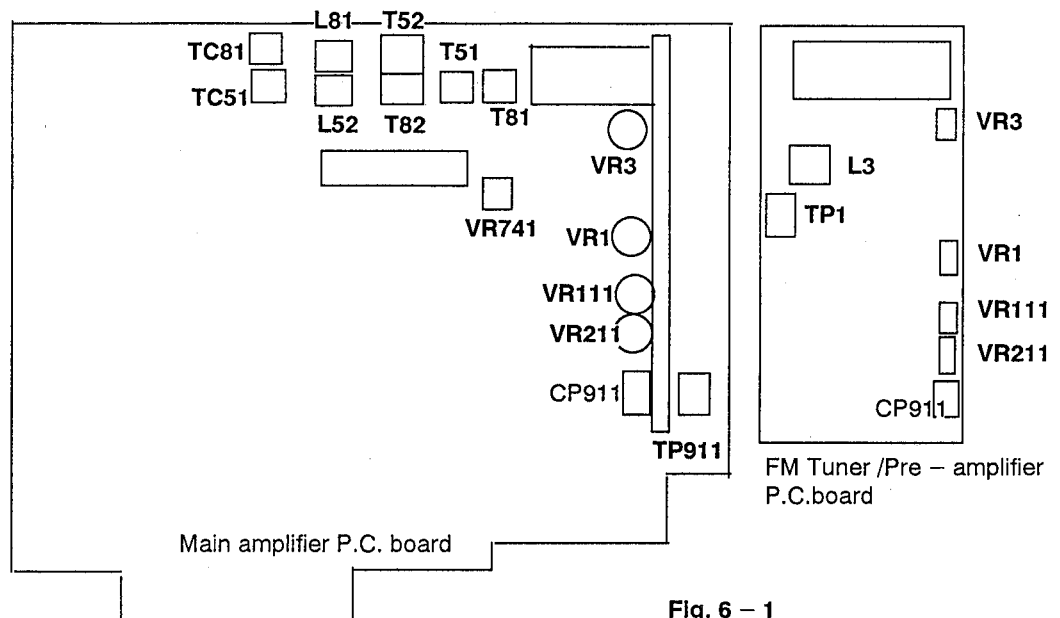


Fig. 6 – 1

### ■ Tuner section

#### Manual tuning up/down frequency

- FM : 200kHz step
- MW : 10kHz step, LW : 1kHz step

#### Setting of reference frequency of SSG

- MW, LW mode ..... 400Hz, 30% modulation
- FM mono mode ..... 400Hz, 22.5kHz deviation
- FM stereo mode ..... 1kHz, 67.5kHz dev.,  
pilot 7.5kHz dev.
- Output level ..... 0dB(1 μ , 50 Ω /open terminal)

#### Dummy load

Exclusive dummy for AM, FM should be used. Using FM dummy load, 6dB loss occurs between SSG output and antenna input.

Standard input ..... AM:74dB μ , FM:66dB μ

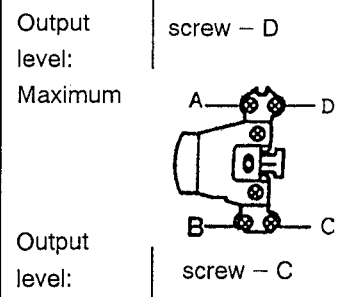
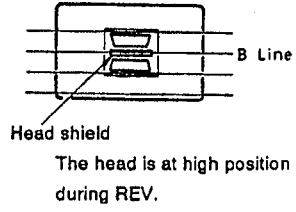
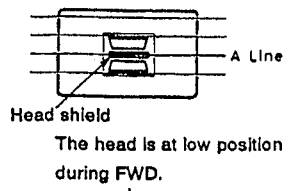
The 6dB loss need not to be considered since direct reading figures are applied in this working standard.

#### Initial preset stations

| Band     | 1    | 2    | 3    | 4     | 5     |
|----------|------|------|------|-------|-------|
| FM1(MHz) | 87.5 | 89.9 | 97.9 | 105.9 | 107.9 |
| MW(kHz)  | 522  | 603  | 999  | 1404  | 1620  |
| LW(kHz)  | 144  | 153  | 216  | 270   | 281   |

■ Cassette mechanism & Amplifier Sections

| Item  | Conditions  | Adjustment and Confirmation methods  | S.Values  | Adjust                            |
|---|---|--|---|-----------------------------------|
| <p>1. Head Azimuth Adjustment</p>                 | <p>Test tape:<br/>SCC – 1659<br/>VTT704</p>                         | <p>★ In case the head and its height have been changed, it will be necessary to adjust the height of the head.</p> <p>1. Adjustment of the height of head<br/>1)When the mirror tape SCC – 1659(2line tape) is travelling in the FWD. direction ,adjust the screws A and B so that the line A is located at the center of the shield plate between the head channels.<br/>2)When the mirror tape SCC – 1659(2line tape) is travelling in the REV.direction, adjust the screws C and D so that the line B is located at the center of the shield plate between the head channels.</p> <p>2. Head azimuth<br/>1)Adjust the screw B so that the output level becomes maximum and the phase difference becomes minimum when VTT704 is travelling in the FWD. direction.<br/>2)Adjust the screw C so that the output level become maximum the phase difarence become minimum when VTT704 is travelling in the REV. direction.<br/>3)By repeating the avove adjustments steps 1) and 2),make sure that the output level and phase difference as specified respectively .<br/>4)There is no need to preform bonding after adjustment.</p> | <p>S.Values</p>   | <p>Adjust</p>                     |
| <p>2. Tape speed and wow flutter confirmation</p> | <p>Test tape:VTT712<br/>(3kHz)</p>                                  | <p>1.Check to see if the reading of the F.counter /wow flutter meter is within 3015~3045 (FWD/REV), and less than 0.35%(JIS RMS) .<br/>2. In case of out of specefication,adjust the motor with a built – in volume resistor.</p>  | <p>Tape speed:<br/>3015<br/>~3045Hz<br/>Wow flutter:less than0.35%</p>    | <p>Built – in volume resistor</p> |
| <p>3.Playback frequency response confirmation</p> | <p>Test tape:VTT724<br/>(1kHz)<br/>VTT736<br/>(125Hz/1kHz/8kHz)</p> | <p>1. Play test tape VTT724, the set the volume position at 2V<br/>2. Play test tape VTT736 confirm<br/>1kHz/8kHz:0 ± 3dB<br/>1kHz/125Hz:0 ± 3dB<br/>3. When 8 kHz is out of specification, it will be necessary to read just the azimuth</p>  | <p>Speaker out<br/>1kHz/125Hz<br/>:0 ± 3dB<br/>1kHz/8kHz<br/>:0 ± 3dB</p> |                                   |



| Item                      | Conditions   | Adjustment and Confirmation methods   | S.Values                                      | Adjust       |
|---------------------------|--|---|---|--------------|
| 4. DOLBY level adjustment | <ul style="list-style-type: none"> <li>• Test tape : VTT724(1kHz)</li> <li>• DOLBY NR : OFF</li> </ul> | 1. Playback test tape VTT724.<br>2. Adjust VR111 and VR211 so that output level become $31.8 \text{ mV} \pm 2\text{mV}$ . | Output level : $31.8\text{mV} \pm 2\text{mV}$ | VR111, VR211 |

### ■ MW/ LW Tuner Section

| Item                     | Conditions   | Adjustment and Confirmation methods  | S.Values  | Adjust   |
|--------------------------|--|--|---|--|
| MW VT alignment          | <ul style="list-style-type: none"> <li>• Test point : TP51</li> </ul>  | ① At the indication of 522kHz, adjust L52 to obtain 1.2V at TP51.<br>② At the indication of 1620 kHz, adjust TC51 to obtain 7.5V at TP51.<br>③ ①, ② repeat.  | 1.2V at TP51<br><br>7.5V at TP51                    | L52<br><br>TC51<br>L52, TC51                   |
| MW Tracking alignment    | <ul style="list-style-type: none"> <li>• SSG: Reduce input level, just recognized the peak point.</li> <li>• Measuring point : Speaker output</li> </ul> | ① At the receiving 603 kHz, adjust T51, T52, T54 to obtain maximum output.<br>② At the receiving 1620 kHz, adjust TC51 to obtain maximum output.<br>③ Repeat the adjustment ①.<br>④ Make sure that output is below 8.2V at 1620 kHz. | Maximum output<br><br>Below 8.2V                    | T51, T52, T54<br><br>TC51<br><br>T51, T52, T54 |
| LW VT alignment          | <ul style="list-style-type: none"> <li>• Test point : TP51</li> </ul>  | ① At the indication of 144kHz, adjust L81 to obtain 1.2V at TP51.<br>② At the indication of 279kHz, adjust TC81 to obtain 5.0V at TP51.<br>③ ①, ② repeat.  | $1.2 \pm 0.05\text{V}$<br><br>$5.0 \pm 0.2\text{V}$ | L81<br><br>TC81                                |
| LW tracking 1 adjustment | <ul style="list-style-type: none"> <li>• SSG : Reduce input level, just recognized the peak point.</li> <li>• Measuring point : Speaker out</li> </ul>   | ① At the receiving 153 kHz, adjust T81, T82 to obtain maximum output.<br>② At the receiving 279 kHz, adjust TC81 to obtain maximum output.<br>③ Repeat the adjustment ①.<br>④ Make sure that output is below 8.2V at 1620kHz.        | Maximum output                                      | T81, T82<br><br>TC81<br><br>T81, T82           |
| LW tracking 2 adjustment | <ul style="list-style-type: none"> <li>• SSG : Reduce input level, just recognized the peak point.</li> <li>• Measuring point : Speaker out</li> </ul>   | ① At the receiving 153 kHz, adjust L81 to obtain maximum output.<br>② At the receiving 279 kHz, adjust TC81 to obtain maximum output.<br>③ Repeat the adjustment ①.<br>④ Make sure that output is below 8.2V at 1620kHz.             | Maximum output<br><br>8.2V at 1620kHz               | L81<br><br>TC81<br><br>L81                     |

■ FM Tuner section

| Item                                       | Conditions   | Adjustment and Confirmation methods  | S.Values   | Adjust  |
|--|--|--|--|---|
| SK Filter adjustment ( G/GE version only ) | <ul style="list-style-type: none"> <li>• SSG : 97.9MHz, SK input : 66dB</li> <li>• Test point : TP601</li> </ul> | <ul style="list-style-type: none"> <li>• Adjust VR601 so that output level become maximum.</li> <li>• Modulation to be set less than 10%.</li> </ul> <p>Note;FM 0V adjust, at FA is not necessary( Complete at 1st alignment )<br/>   In case of repara, receiving FM 97.9MHz, 66dB, adjust L3 to 0 ± 30mV at TP1.</p> | Output level : Maximum<br><br><br><br><br><br><br><br><br><br><br><br><br><br><br>0 ± 30mV | VR601<br><br><br><br><br><br><br><br><br><br><br><br><br><br><br>L3 |
| Stop sensitivity adjustment                | SSG : 97.9MHz,<br>non modulation<br>28dB<br>Test point : TP701   | Adjust VR741 so that voltage at TP701 become 0 → 5V.( Using oscilloscope of DC range.  | 0 → 5V   | VR741   |
| Separation adjustment                      | SSG : 97.9MHz,<br>66dB<br>modulate only Rch<br>T. point : Speaker out  | Adjust VR1 so that Lch output become minimum loutput evel.   | minimum level  | VR1   |
| FM 0volt adjustment                        | Test point : TP1<br>SSG: 97.9MHz,<br>non modulation<br>66dB  | FM 0V adjust at FA is not necessary.In case of repara, receiving FM 97.9MHz, 66dB, adjust L3 so that DC level 0 ± 30mV can be obtained at TP1.   | 0 ± 30mV   | L3  |
| Blend adjustment                           | .Test point : Speaker out<br>SSG : 97.9MHz, Stereo,<br>modulate only Rch<br>52dB                                 | Adjust VR3 so that the diviation between Lch and Rch should be 20dB when receiving signal.<br>※ CAUTION : After aligning blend, do not adjust stop sensitivity. because blend will shift.  | Diviation : 20 dB  | VR3   |



# 7. Analytic Drawing and Parts List

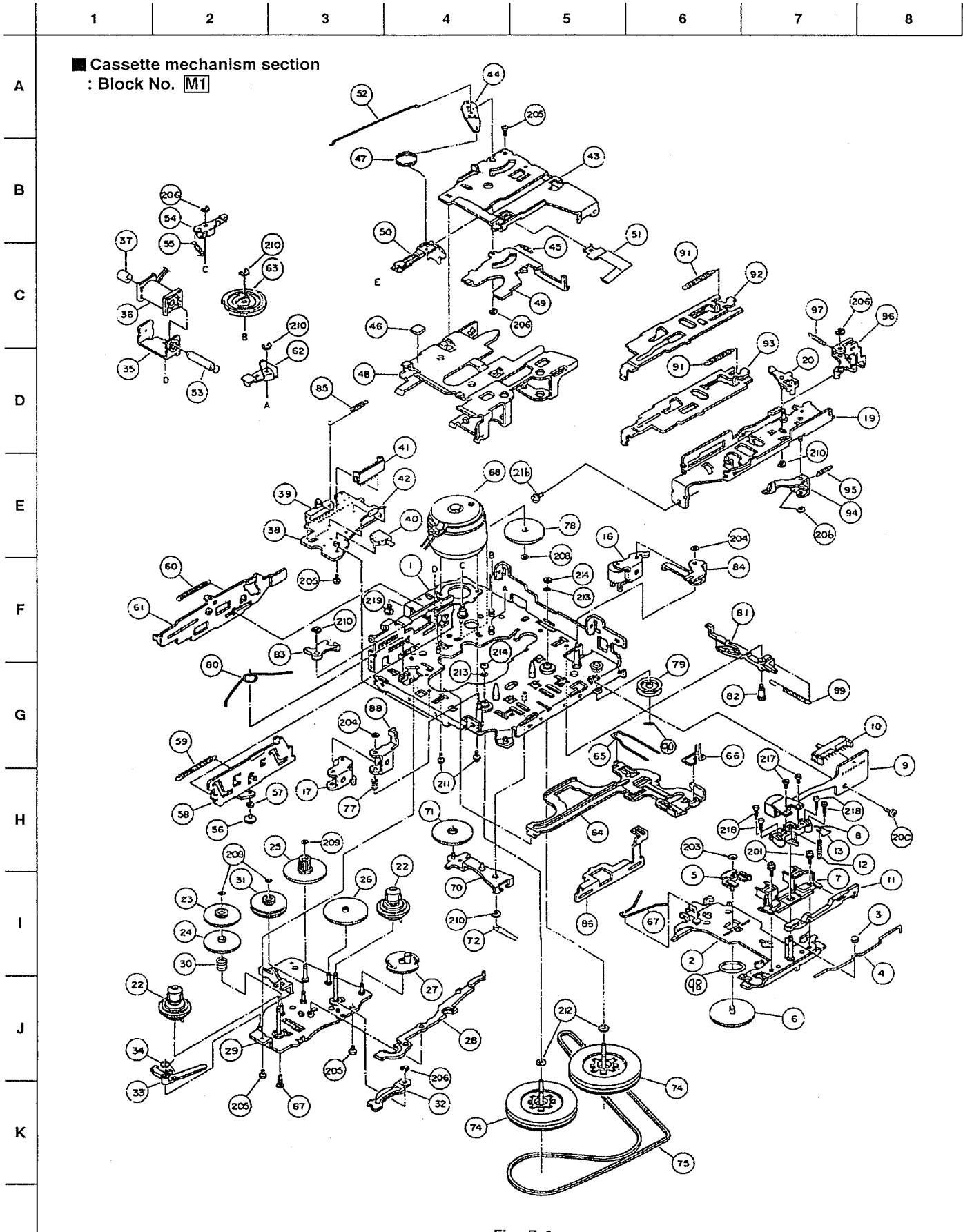


Fig. 7-1



■ Cassette mechanism parts list

BLOCK NO. M1MM111

| △ | REF. | PARTS NO.   | PARTS NAME      | REMARKS       | QTY | SUFFIX | CLR |
|---|------|-------------|-----------------|---------------|-----|--------|-----|
|   | 1    | 194001512AT | CHASSIS ASS'Y   |               | 1   |        |     |
|   | 2    | 194016503T  | HEAD PANEL ASY. |               | 1   |        |     |
|   | 3    | 19400303T   | SP ROLLER       |               | 1   |        |     |
|   | 4    | 19400304T   | P.R.SPRING      |               | 1   |        |     |
|   | 5    | 19400305T   | P.GEAR METAL    |               | 1   |        |     |
|   | 6    | 19400306T   | P.GEAR          |               | 1   |        |     |
|   | 7    | 19400312T   | TAPE GUIDE U    |               | 1   |        |     |
|   | 8    | 19400327T   | HEAD HOLDER B   |               | 1   |        |     |
|   | 9    | 62011702T   | HEAD            | P-7542-BB0571 | 1   |        |     |
|   | 10   | 64020207T   | SLIDE SWITCH    | SSSSA3002A    | 1   |        |     |
|   | 11   | 19400328T   | SHIFT PLATE B   |               | 1   |        |     |
|   | 12   | 19400315T   | H.G SPRING      |               | 1   |        |     |
|   | 13   | 9F2635010T  | FASTEN WASHER   |               | 1   |        |     |
|   | 16   | 194004301T  | P.ROLL.ARM(F)AS |               | 1   |        |     |
|   | 17   | 194004302T  | P.ROLL.ARM(R)AS |               | 1   |        |     |
|   | 19   | 194005503T  | F.R.BKT(M)ASS'Y |               | 1   |        |     |
|   | 20   | 194005504T  | SEESAW P(M)ASY. |               | 1   |        |     |
|   | 22   | 194006302T  | T.REEL ASS'Y    |               | 2   |        |     |
|   | 23   | 19400612T   | P.GEAR (R)      |               | 1   |        |     |
|   | 24   | 19400613T   | F.GEAR (R)      |               | 1   |        |     |
|   | 25   | 19400615T   | P.D.GEAR        |               | 1   |        |     |
|   | 26   | 19400616T   | E.D.GEAR        |               | 1   |        |     |
|   | 27   | 19400617AT  | REVERSE GEAR(M) |               | 1   |        |     |
|   | 28   | 19400648T   | E.D.PLATE B     |               | 1   |        |     |
|   | 29   | 194002501T  | M.G.P.SEMI-ASY. |               | 1   |        |     |
|   | 30   | 19400635T   | TN SPRING       |               | 1   |        |     |
|   | 31   | 194006312T  | P.CLUTCH ASS'Y  |               | 1   |        |     |
|   | 32   | 194014129T  | LIFT UP PLATE   |               | 1   |        |     |
|   | 33   | 19401464T   | ANTI-REV ARM    |               | 1   |        |     |
|   | 34   | 19401460T   | TRI ARM SPRING  |               | 1   |        |     |
|   | 35   | 19401431T   | P.BRACKET(K)    |               | 1   |        |     |
|   | 36   | 19401432T   | K.F COIL ASS'Y  |               | 1   |        |     |
|   | 37   | 19401433T   | CORE(K)         |               | 1   |        |     |
|   | 38   | 19400704T   | SW SUBSTRATE    |               | 1   |        |     |
|   | 39   | 64020206T   | SLIDE SWITCH    | SSSSA2001A    | 1   |        |     |
|   | 40   | 64020405T   | PUSH SWITCH     | SPVC11001A    | 1   |        |     |
|   | 41   | 68140248T   | CONNECTOR       | 53253-1020    | 1   |        |     |
|   | 42   | ERB12-01    | DIODE           | ERB12-01      | 1   |        |     |
|   | 43   | 19400801T   | CASE LIFTER     |               | 1   |        |     |
|   | 44   | 184008503T  | P.E PLATE ASS'Y |               | 1   |        |     |
|   | 45   | 18400820T   | SPRING          |               | 1   |        |     |
|   | 46   | 18400875T   | CUSSHION RUBBER |               | 1   |        |     |
|   | 47   | 18400813GT  | REVERSE SP.C    |               | 1   |        |     |
|   | 48   | 19401410T   | CASSETTE CASE M |               | 1   |        |     |
|   | 49   | 19400804T   | C.D PLATE B     |               | 1   |        |     |
|   | 50   | 19400810T   | PACK SLIDER     |               | 1   |        |     |
|   | 51   | 19400806T   | PACK PRESS.SP.  |               | 1   |        |     |
|   | 52   | 18400823T   | P.E SPRING      |               | 1   |        |     |
|   | 53   | 19401434T   | PLUNGER(K)      |               | 1   |        |     |
|   | 54   | 194020505T  | T.A.PLATE ASS'Y |               | 1   |        |     |
|   | 55   | 19401437T   | T.A.PLATE SP.   |               | 1   |        |     |
|   | 56   | 19400901T   | H.P.ROLLER(A)   |               | 1   |        |     |
|   | 57   | 19400902T   | H.P.ROLLER(B)   |               | 1   |        |     |
|   | 58   | 19400953T   | C.H.PUSH PLAT.M |               | 1   |        |     |



BLOCK NO. M1MM     

| △ | REF. | PARTS NO.   | PARTS NAME      | REMARKS         | QTY | SUFFIX | CLR |
|---|------|-------------|-----------------|-----------------|-----|--------|-----|
|   | 59   | 19400905T   | C.H.SPRING      |                 | 1   |        |     |
|   | 60   | 19400906T   | PUSH LEVER SP.  |                 | 1   |        |     |
|   | 61   | 19400907T   | PUSH LEVER M    |                 | 1   |        |     |
|   | 62   | 194020502AT | K.F PLATE ASS'Y |                 | 1   |        |     |
|   | 63   | 194014739T  | K.F CAM GEAR    |                 | 1   |        |     |
|   | 64   | 19401001T   | MAIN PLATE      |                 | 1   |        |     |
|   | 65   | 19401002T   | M.S.SPRING      |                 | 1   |        |     |
|   | 66   | 19401007T   | H.S.SPRING      |                 | 1   |        |     |
|   | 67   | 19401444T   | K.F.SPRING      |                 | 1   |        |     |
|   | 68   | 194011310T  | MOTOR ASS'Y     | MCI-5U3LCKA     | 1   |        |     |
|   | 70   | 194012504T  | FR W.PLT.SEM.AS |                 | 1   |        |     |
|   | 71   | 19401703T   | F.GEAR          |                 | 1   |        |     |
|   | 72   | 19401704T   | FR SPRING M     |                 | 1   |        |     |
|   | 74   | 194013303T  | F.L.CAPS.ASS'Y  |                 | 2   |        |     |
|   | 75   | 19401417T   | MAIN BELT       |                 | 1   |        |     |
|   | 77   | 18400437T   | P.P SPRING      |                 | 1   |        |     |
|   | 78   | 194014123T  | MAIN GEAR M     |                 | 1   |        |     |
|   | 79   | 194014115T  | MIDDLE PULLEY   |                 | 1   |        |     |
|   | 80   | 19401443T   | HEAD PANEL SP.M |                 | 1   |        |     |
|   | 81   | 19401405T   | TRIGGER ARM(C)  |                 | 1   |        |     |
|   | 82   | 19401406T   | COLLAR SCREW(T) |                 | 1   |        |     |
|   | 83   | 19401442T   | H.P.PUSH ARM(K) |                 | 1   |        |     |
|   | 84   | 19401409T   | SEESAW WRK.PLT. |                 | 1   |        |     |
|   | 85   | 19401412T   | POWER SW.SPRING |                 | 1   |        |     |
|   | 86   | 194014127T  | FR SLIDE PLT.M  |                 | 1   |        |     |
|   | 87   | 19401415T   | COLLAR SCREW(P) |                 | 1   |        |     |
|   | 88   | 19401416T   | H.P.RETURN ARM  |                 | 1   |        |     |
|   | 89   | 19401407T   | T.A.SPING(C)    |                 | 1   |        |     |
|   | 90   | 9W0225010T  | P.WASHER CUT    | 0.85X2.8X0.25   | 1   |        |     |
|   | 91   | 19401589T   | FR LEVER SPRING |                 | 2   |        |     |
|   | 92   | 19401590T   | FF LEVER (MH)   |                 | 1   |        |     |
|   | 93   | 19401591T   | REW LEVER(MH)   |                 | 1   |        |     |
|   | 94   | 19401503T   | P.C.PLATE       |                 | 1   |        |     |
|   | 95   | 19401504T   | P.C.SPRING      |                 | 1   |        |     |
|   | 96   | 19401505T   | ROCK PLATE (M)  |                 | 1   |        |     |
|   | 97   | 19401506T   | ROCK PLATE SP.M |                 | 1   |        |     |
|   | 98   | 9W0540020T  | HL WASHER       | 10 X 14 X 0.4   | 1   |        |     |
|   | 200  | 9P1220051T  | S TAPPING SCREW | M2 X 5          | 1   |        |     |
|   | 201  | 9P0220051T  | TAMS SCREW      | M2 X 5          | 2   |        |     |
|   | 203  | 9W0640070T  | HL WASHER CUT   | 2.1 X 4 X 0.4   | 1   |        |     |
|   | 204  | 9W0630060T  | HL WASHER CUT   | 1.6 X 3.8 X 0.3 | 2   |        |     |
|   | 205  | 9C0420303T  | S TAPPING SCREW | FOR CAMERA M2X3 | 4   |        |     |
|   | 206  | 9E0100152T  | E RING          | S 1.5           | 5   |        |     |
|   | 208  | 9W0625030T  | HL WASHER CUT   | 1.2X3X0.25      | 3   |        |     |
|   | 209  | 9W0630050T  | HL WASHER CUT   | 1.6 X 3.4 X 0.3 | 1   |        |     |
|   | 210  | 9E0100202T  | E RING          | S2.0            | 3   |        |     |
|   | 211  | 9P0220031T  | TAMS SCREW      | M2 X 3          | 2   |        |     |
|   | 212  | 9W0513060T  | HL WASHER       | 2.1 X 5 X 0.13  | 2   |        |     |
|   | 213  | 9W0520010T  | HL WASHER CUT   | 1.85 X 3.2 X 0. | 2   |        |     |
|   | 214  | 9W0650030T  | HL WASHER CUT   | 1.5 X 3.2 X 0.5 | 2   |        |     |
|   | 216  | 9P0226041T  | TAMS SCREW      | M2.6 X 4        | 1   |        |     |
|   | 217  | 9F2720401T  | FIX SCREW       | FOR HEAD        | 2   |        |     |
|   | 218  | 9F2220071T  | ADJUST SCREW    |                 | 4   |        |     |
|   | 219  | 9P0226531T  | SCREW           | M2.6 X 3.5      | 1   |        |     |

■ Enclosure assembly part: Block No. **M** **2**

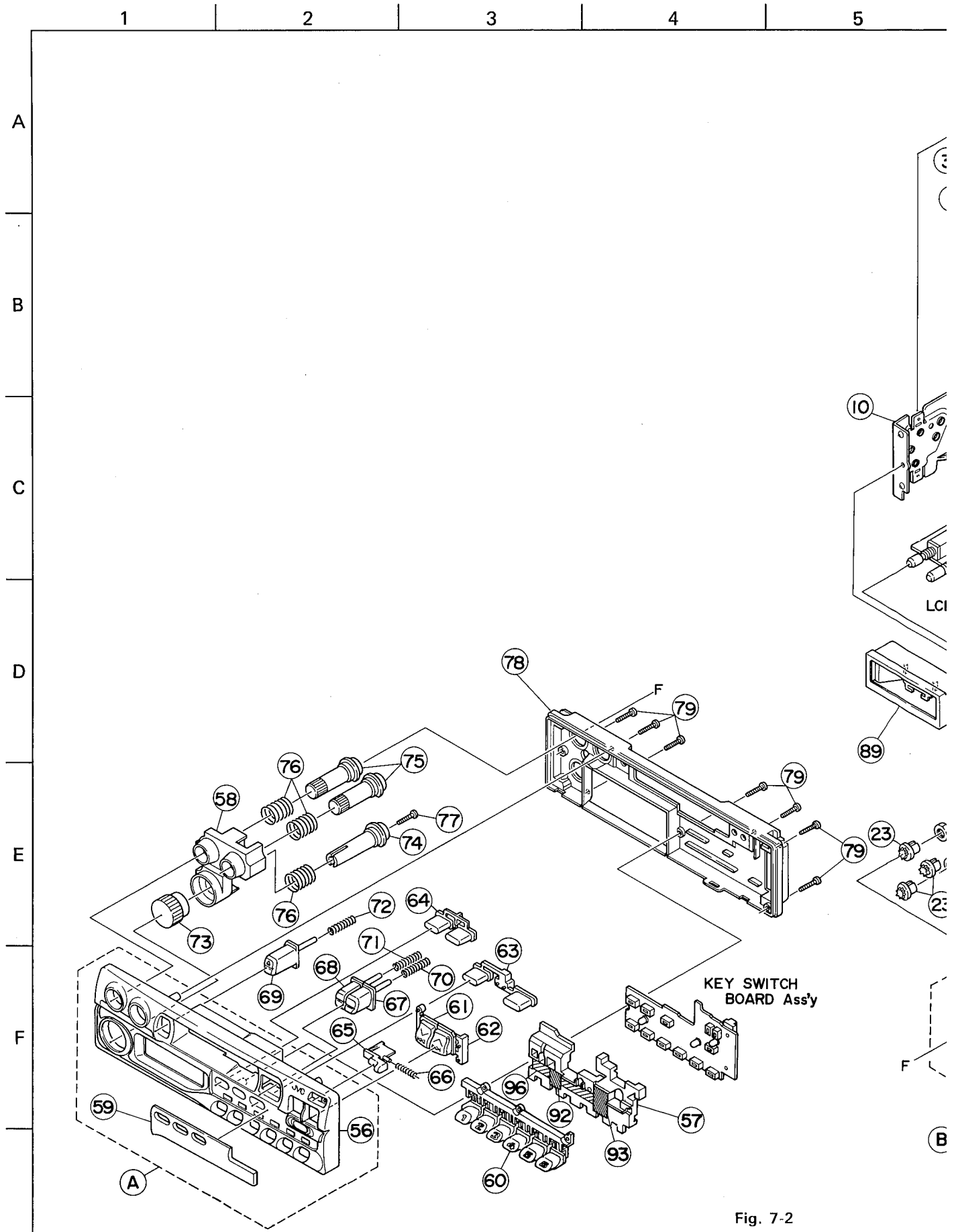


Fig. 7-2

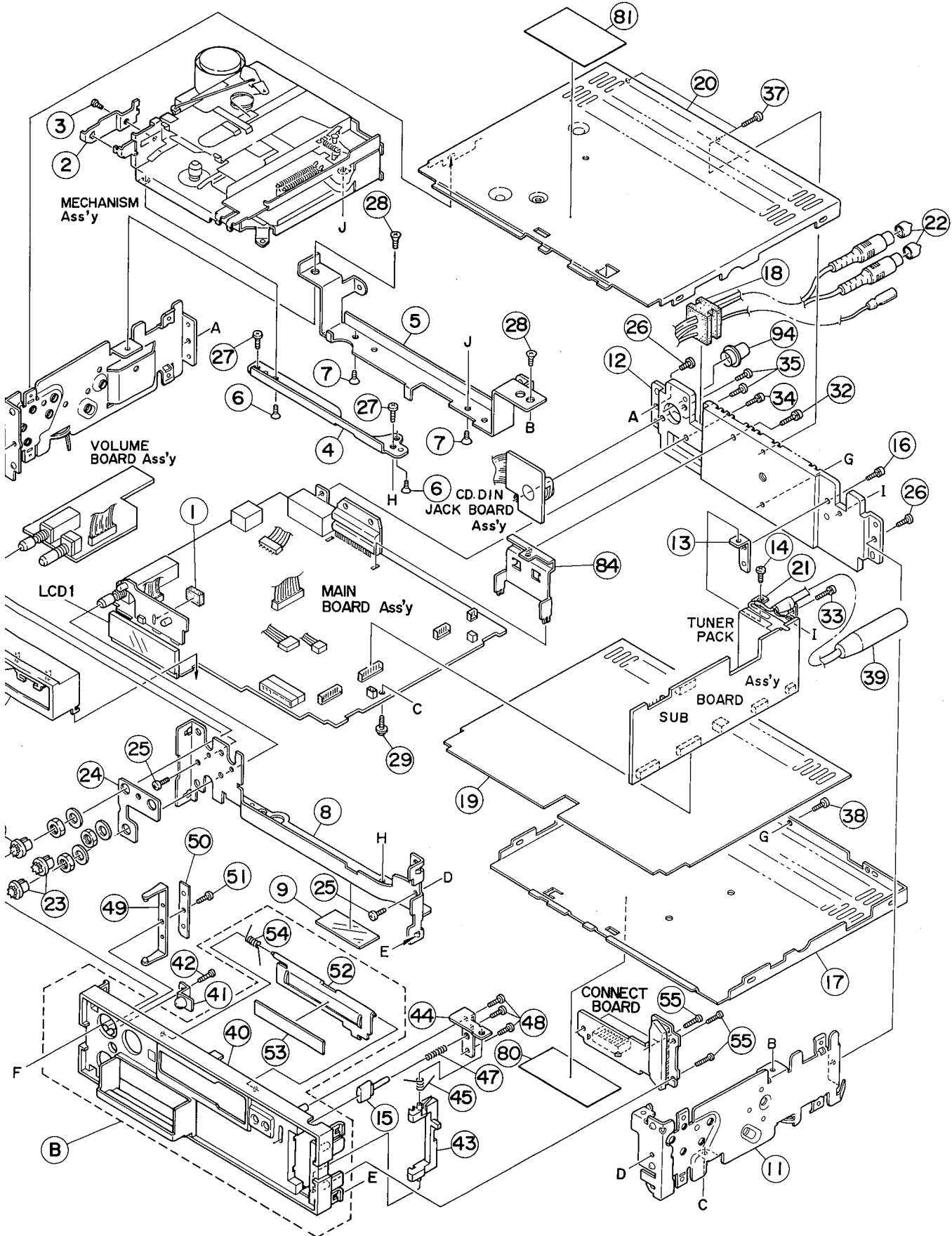
6

7

8

9

10





## ■ Enclosure assembly parts list

BLOCK NO. M2MM      

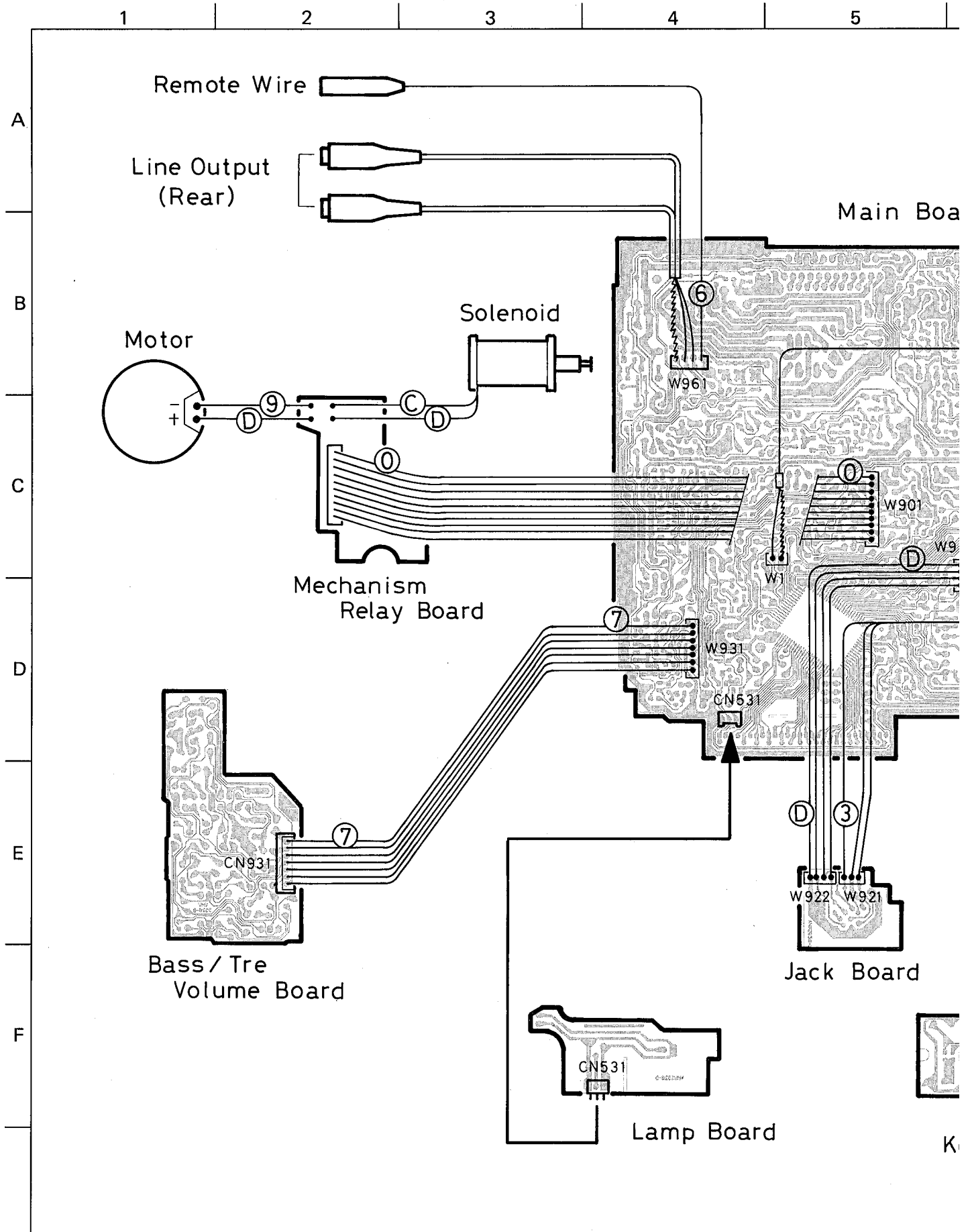
| △ | REF. | PARTS NO.     | PARTS NAME      | REMARKS         | QTY | SUFFIX | CLR |
|---|------|---------------|-----------------|-----------------|-----|--------|-----|
|   | A    | ZCKSRT60K-NPA | NOSEPIECE ASSY  | REF.56,59       | 1   |        |     |
|   | B    | ZCKSRT60RK-FB | FRONT PANEL     | REF.40,52-54    | 1   |        |     |
|   | 1    | VYSR103-048   | SPACER          | LCD             | 1   |        |     |
|   | 2    | VKL7226-003   | EJECT LEVER     |                 | 1   |        |     |
|   | 3    | SPSK2625Z     | MINI SCREW      | MECHA+EJ.LEVER  | 1   |        |     |
|   | 4    | VKM3645-001   | MECHA BRACKET F |                 | 1   |        |     |
|   | 5    | VKM3594-001   | MECHA BRACKET R |                 | 1   |        |     |
|   | 6    | SSSP3005Z     | SCREW           | MECHA BRACKET(F | 2   |        |     |
|   | 7    | SSSP3005Z     | SCREW           | MECHA BRACKET(R | 2   |        |     |
|   | 8    | VKM3642-002   | FRONT BRACKET   |                 | 1   |        |     |
|   | 9    | VYSS1R4-040   | SPACER          | FRONT BKT       | 1   |        |     |
|   | 10   | VKL2723-001   | SIDE BKT(L)     |                 | 1   |        |     |
|   | 11   | VKL2724-002SS | SIDE BKT(R)     |                 | 1   |        |     |
|   | 12   | VJC3260-002   | REAR PANEL      |                 | 1   |        |     |
|   | 13   | VKL7276-001   | BRACKET         | REAR PANEL      | 1   |        |     |
|   | 14   | SDST2606Z     | SCREW           | VKL7276+VMA4397 | 1   |        |     |
|   | 15   | VXP5139-001   | RLS KNOB        |                 | 1   |        |     |
|   | 16   | LPSP2606Z     | SCREW           | REAR PANEL+VKL7 | 1   |        |     |
|   | 17   | VKM3352-004   | BOTTOM COVER    |                 | 1   |        |     |
|   | 18   | VMP3249-001   | PIN CORD ASS'Y  | W961            | 1   |        |     |
|   | 19   | VMA3216-001   | INSULATOR       |                 | 1   |        |     |
|   | 20   | VKM3398-005   | TOP COVER       |                 | 1   |        |     |
|   | 21   | VMA4397-003   | SHEILD PLATE    |                 | 1   |        |     |
|   | 22   | VYTA500-001   | PIN CAP         | LINE OUTX2      | 2   |        |     |
|   | 23   | VKS5439-001   | SHAFT KNOB      |                 | 3   |        |     |
|   | 24   | VKL7274-002   | VOLUME HOLDER   |                 | 1   |        |     |
|   | 25   | SDST2606Z     | SCREW           | FRONT+SIDE(L,R) | 2   |        |     |
|   | 26   | SDST2606Z     | SCREW           | SIDE(L,R)+REAR  | 2   |        |     |
|   | 27   | SDST2606Z     | SCREW           | FRONT BRACKET   | 2   |        |     |
|   | 28   | SSST2606Z     | SCREW           | M.BKT+SIDE(L,R) | 2   |        |     |
|   | 29   | SDST2606Z     | SCREW           | MAIN PWB+SIDE B | 1   |        |     |
|   | 32   | LPSP2606Z     | SCREW           | IC BKT+S.BKT(L) | 1   |        |     |
|   | 33   | LPSP2606Z     | SCREW           | REAR BKT+ANT CO | 1   |        |     |
|   | 34   | LPSP2606Z     | SCREW           | CONNECTOR+REAR  | 1   |        |     |
|   | 35   | SDSF2608Z     | SCREW           | REAR PANEL+DIN  | 2   |        |     |
|   | 37   | LPSP2606Z     | SCREW           | R.PANEL+TOP     | 2   |        |     |
|   | 38   | LPSP2606Z     | ASSY SCREW      | R.PANEL+BOTTOM  | 1   |        |     |
|   | 39   | VMP0029-027   | ANT CORD        |                 | 1   |        |     |
|   | 40   | FSJC2004-002  | FRONT CHASSIS   |                 | 1   |        |     |
|   | 41   | VJK4399-002   | LENS            |                 | 1   |        |     |
|   | 42   | SPSN1755N     | MINI SCREW      | F.CHASSIS+LENS  | 1   |        |     |
|   | 43   | VKS5438-001   | LOCK LEVER      |                 | 1   |        |     |
|   | 44   | VKL7267-001   | LEVER BRACKET   |                 | 1   |        |     |
|   | 45   | FSKW4005-002  | TORSION SPRING  | LOCK LEVER      | 1   |        |     |
|   | 47   | VKW3001-298   | COMP.SPRING     |                 | 1   |        |     |
|   | 48   | SDSF2006Z     | SCREW           | F.CHASSIS+L.BKT | 3   |        |     |
|   | 49   | VKY4665-00E   | LOCK SP ASS'Y   |                 | 1   |        |     |
|   | 50   | VKL7647-001   | PLATE           |                 | 1   |        |     |
|   | 51   | SDSF2008M     | SCREW           | F.CHASSIS+L.SPR | 1   |        |     |
|   | 52   | VJC4145-002SS | CASSETTE LID    |                 | 1   |        |     |
|   | 53   | VJC4146-024   | LID PLATE       |                 | 1   |        |     |
|   | 54   | VKW4947-003   | DOOR SPRING     |                 | 1   |        |     |
|   | 55   | SPSN1755N     | MINI SCREW      | F.CHASSIS+C.PWB | 4   |        |     |
|   | 56   | FSJC1010-007  | FRONT PANEL     |                 | 1   |        |     |
|   | 57   | VJK2195-004   | LIGHT LENS      |                 | 1   |        |     |

BLOCK NO. M2MM      

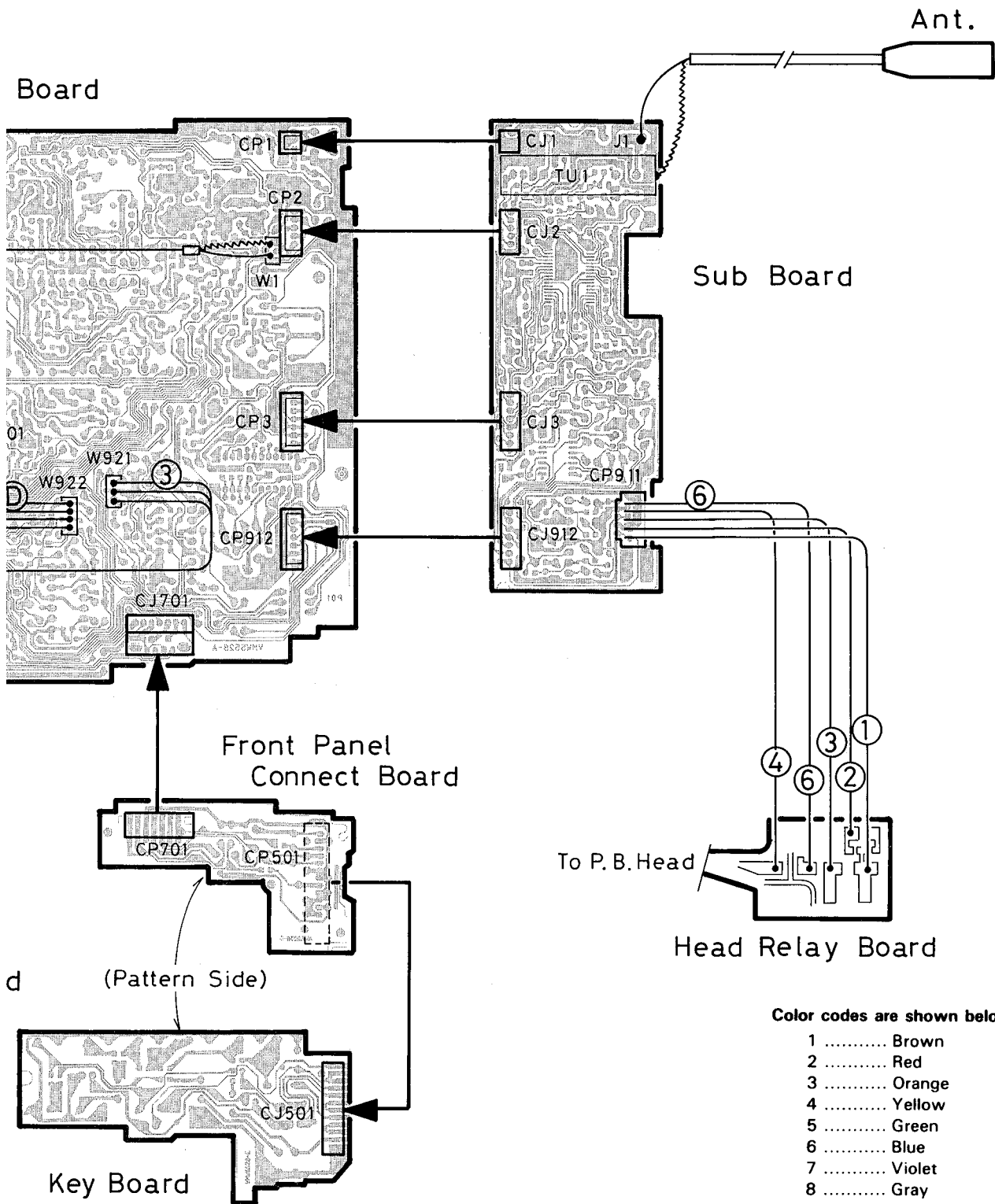
| △ | REF. | PARTS NO.      | PARTS NAME    | REMARKS         | QTY | SUFFIX | CLR |
|---|------|----------------|---------------|-----------------|-----|--------|-----|
|   | 58   | VJK2182-001    | KNOB LENS     |                 | 1   |        |     |
|   | 59   | VJK3642-001    | FINDER LENS   |                 | 1   |        |     |
|   |      | VJK3642-002    | FINDER LENS   |                 | 1   | G,GE   |     |
|   | 60   | VXP2066-002    | PRESET BUTTON | 1/2/3/4/5/6     | 1   |        |     |
|   | 61   | VXP3571-003    | DOWN BUTTON   | LIGHTGOLD(93-25 | 1   |        |     |
|   | 62   | VXP3572-003    | UP BUTTON     | LIGHTGOLD(93-25 | 1   |        |     |
|   | 63   | VXP3577-005    | PUSH BUTTON   | MODE/A HBS      | 1   |        |     |
|   | 64   | VXP3652-001    | PUSH BUTTON   | FUNC/B CLK      | 1   |        |     |
|   | 65   | FSXP3007-003   | DETACH BUTTON |                 | 1   |        |     |
|   | 66   | VKW3001-302    | COMP. SPRING  | DETACH BUTTON   | 1   |        |     |
|   | 67   | FSXP3009-001   | FF BUTTON     |                 | 1   |        |     |
|   |      | FSXP3011-00A   | BUTTON ASS'Y  |                 | 1   |        |     |
|   | 68   | FSXP3010-001   | REW BUTTON    |                 | 1   |        |     |
|   | 69   | FSXP3008-001   | EJECT BUTTON  |                 | 1   |        |     |
|   | 70   | VKW3001-304    | COMP. SPRING  | FF BUTTON       | 1   |        |     |
|   | 71   | VKW3001-304    | COMP. SPRING  | REW BUTTON      | 1   |        |     |
|   | 72   | VKW3001-304    | COMP. SPRING  | EJECT BUTTON    | 1   |        |     |
|   | 73   | VXL4428-001    | VOL KNOB      |                 | 1   |        |     |
|   | 74   | VKS5445-001    | VOL KNOB(R)   |                 | 1   |        |     |
|   | 75   | VXL4429-001    | TONE KNOB     |                 | 2   |        |     |
|   | 76   | VKW5071-001    | SPRING        | TONE KNOB       | 3   |        |     |
|   | 77   | SPSN1755N      | MINI SCREW    | VOL.KNOB(F)+(R) | 1   |        |     |
|   | 78   | FSJC1012-002   | REAR COVER    |                 | 1   |        |     |
|   | 79   | SPSN1755N      | MINI SCREW    | FRONT+REAR      | 7   |        |     |
|   | 80   | VYN3496-S012SA | NAME PLATE    |                 | 1   | G,GE   |     |
|   |      | VYN3496-S001SA | NAME PLATE    |                 | 1   | B,E    |     |
|   |      | VYN3496-S003SA | NAME PLATE    |                 | 1   | GI     |     |
|   | 81   | VND4391-001    | CAUTION LABEL |                 | 1   |        |     |
|   | 84   | VKL7687-001    | IC BRACKET    |                 | 1   |        |     |
|   | 92   | VYTT590-010    | SEAL          |                 | 1   |        |     |
|   | 93   | VYTT590-014    | SEAL          |                 | 1   |        |     |
|   | 94   | VYTA510-001    | MINI DIN CAP  | 8PIN DIN JACK   | 1   |        |     |
|   | 96   | VYTT590-012    | SEAL          | B/CLK BUTTON    | 1   |        |     |
|   |      |                |               |                 |     |        |     |
|   |      |                |               |                 |     |        |     |
|   |      |                |               |                 |     |        |     |
|   |      |                |               |                 |     |        |     |
|   |      |                |               |                 |     |        |     |



# 8. Wiring Connections







- Color codes are shown below.**
- 1 ..... Brown
  - 2 ..... Red
  - 3 ..... Orange
  - 4 ..... Yellow
  - 5 ..... Green
  - 6 ..... Blue
  - 7 ..... Violet
  - 8 ..... Gray
  - 9 ..... White
  - 0 ..... Black
  - D ..... Pink
  - C ..... Light Blue

Fig. 8-1

9. Block Diagram

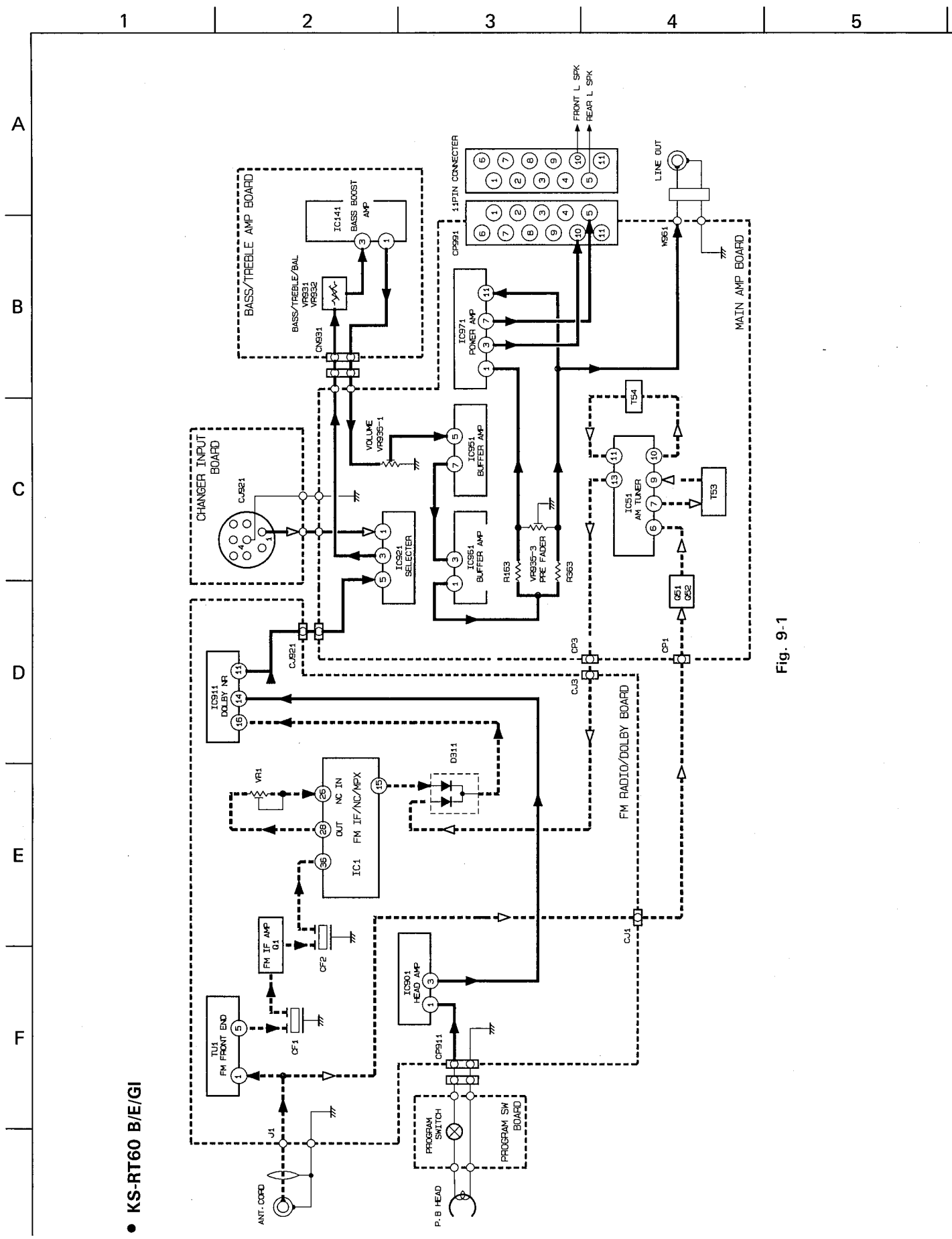


Fig. 9-1

● KS-RT60 B/E/GI

• KS-RET60 G/GE

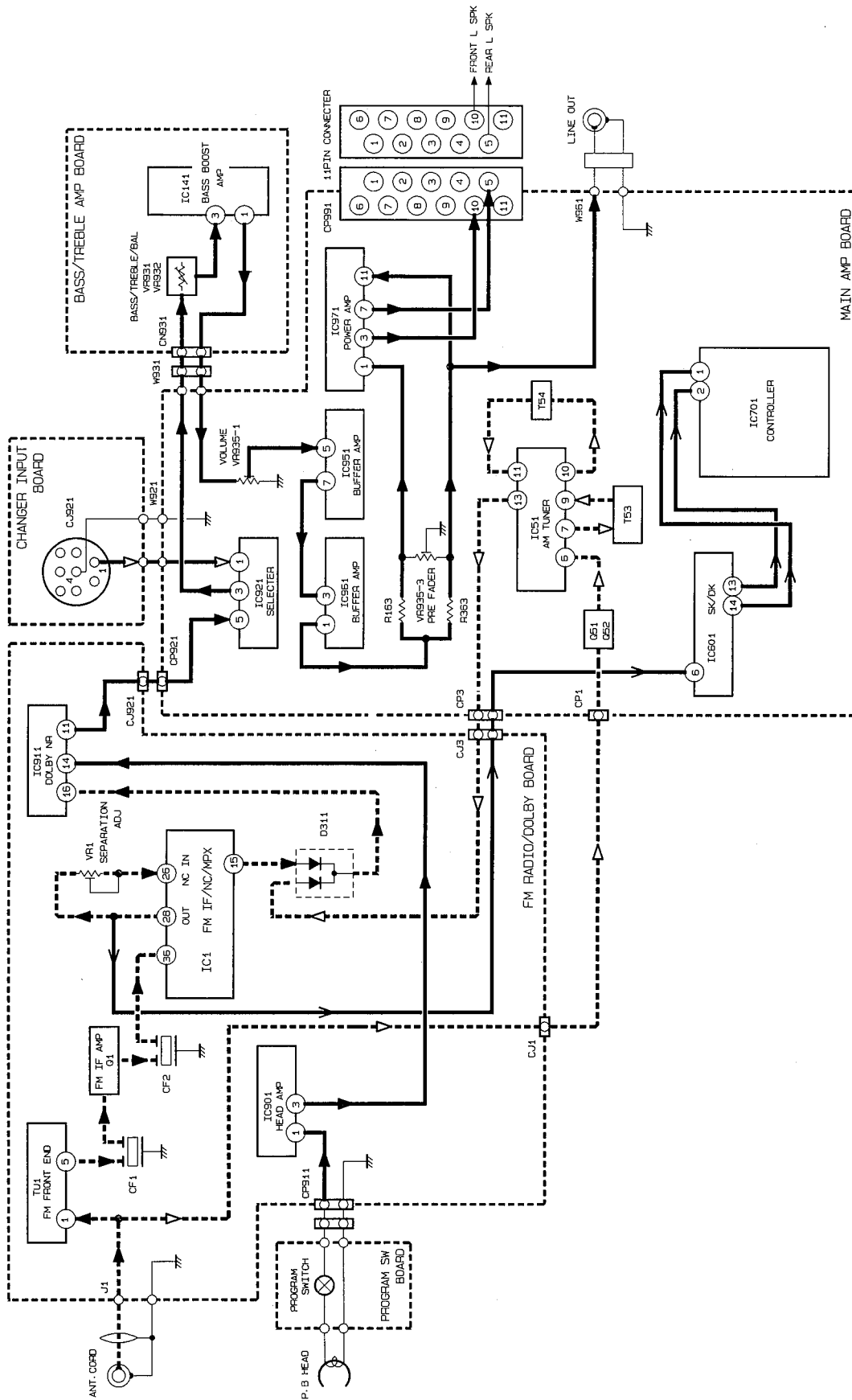


Fig. 9-2



■ Main IC Block Diagram

● IC701 (CONTROLLER) : μ PD17003AGF - 652

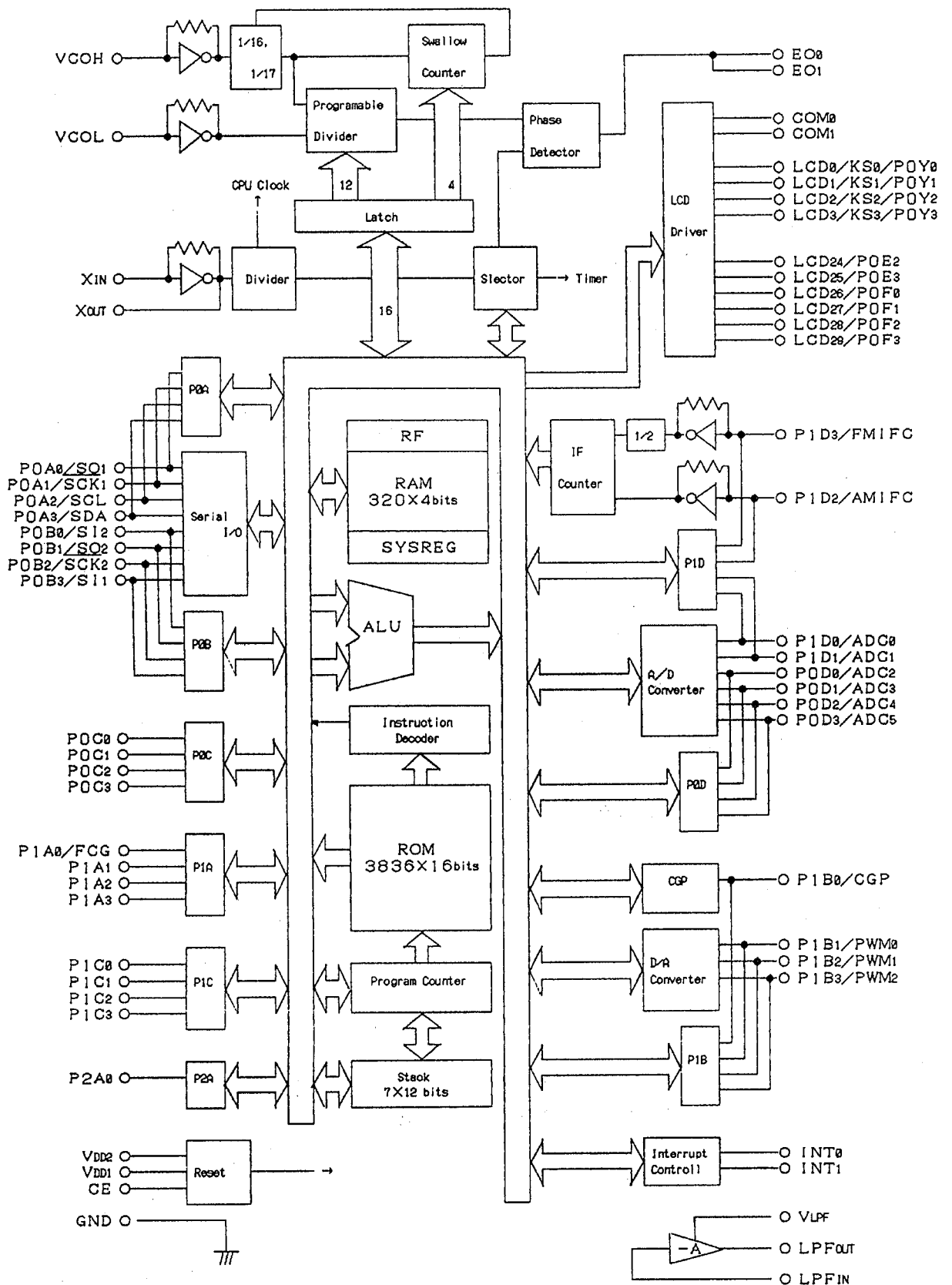


Fig. 9-3

● IC701 (  $\mu$  PD17003AGF - 652 ): Terminal connections

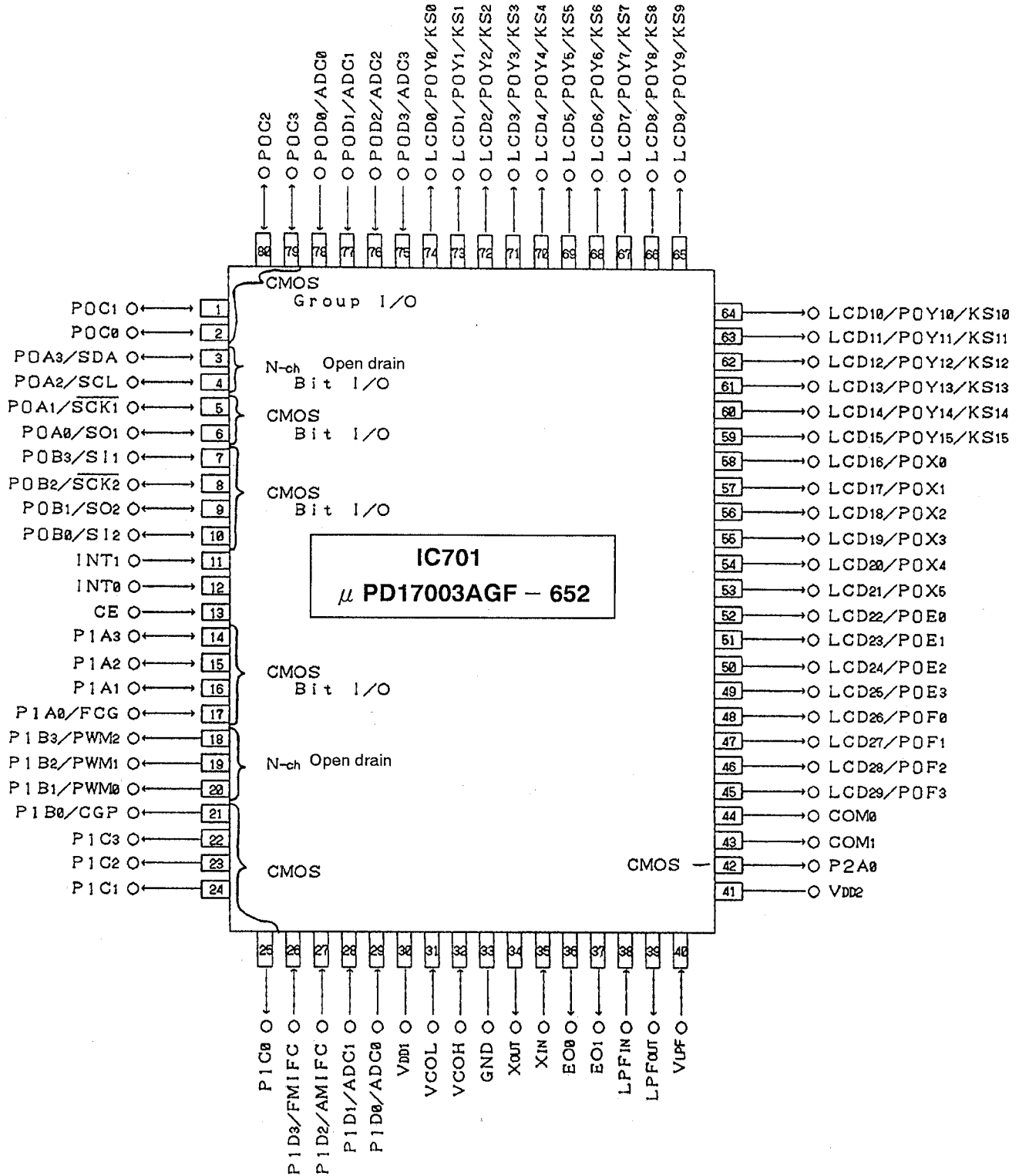


Fig. 9-4



# 10. Standard Schematic Diagram ■ Tuner/Pre-amplifier Circuit: Drawing No. VDH3496-003TV

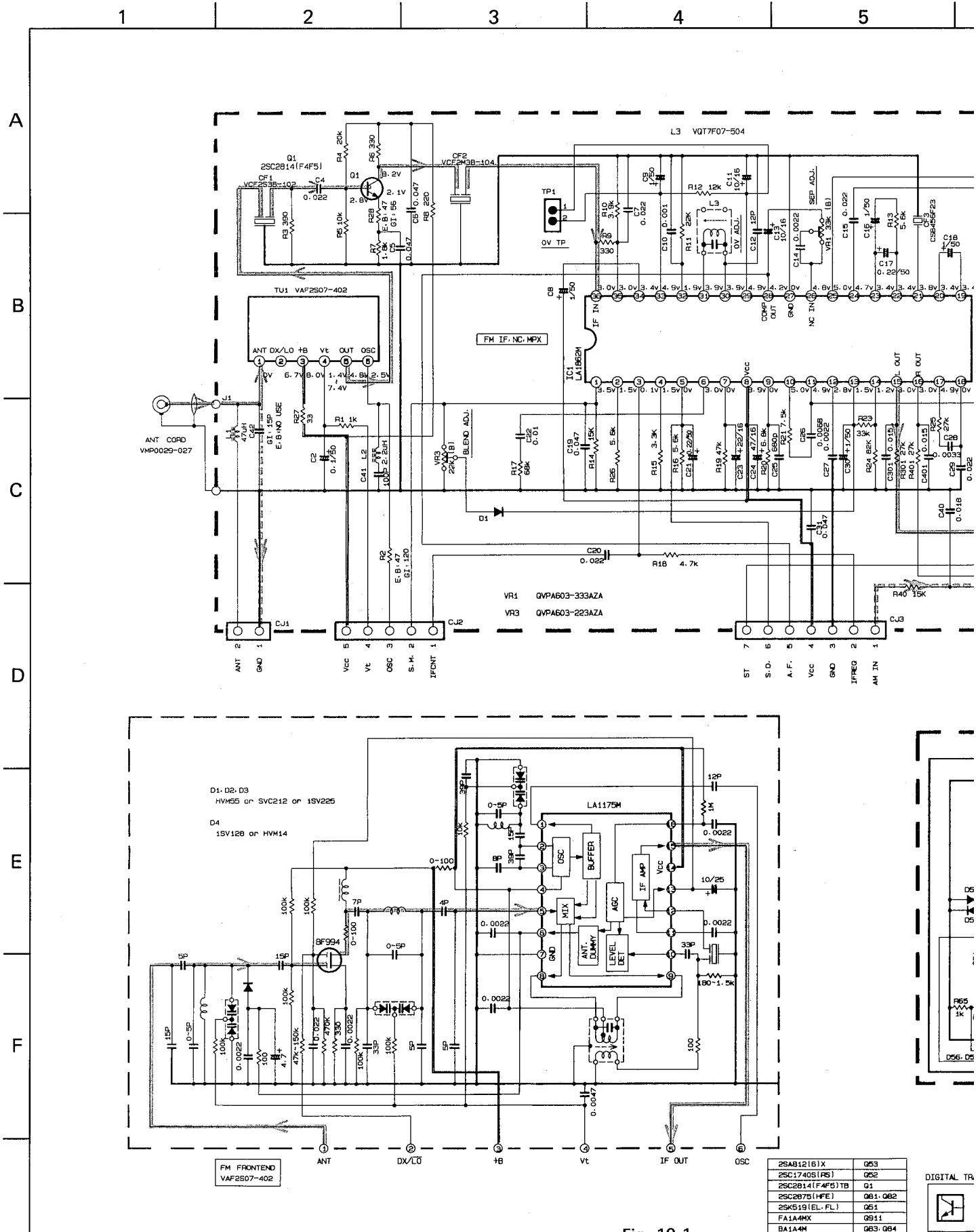
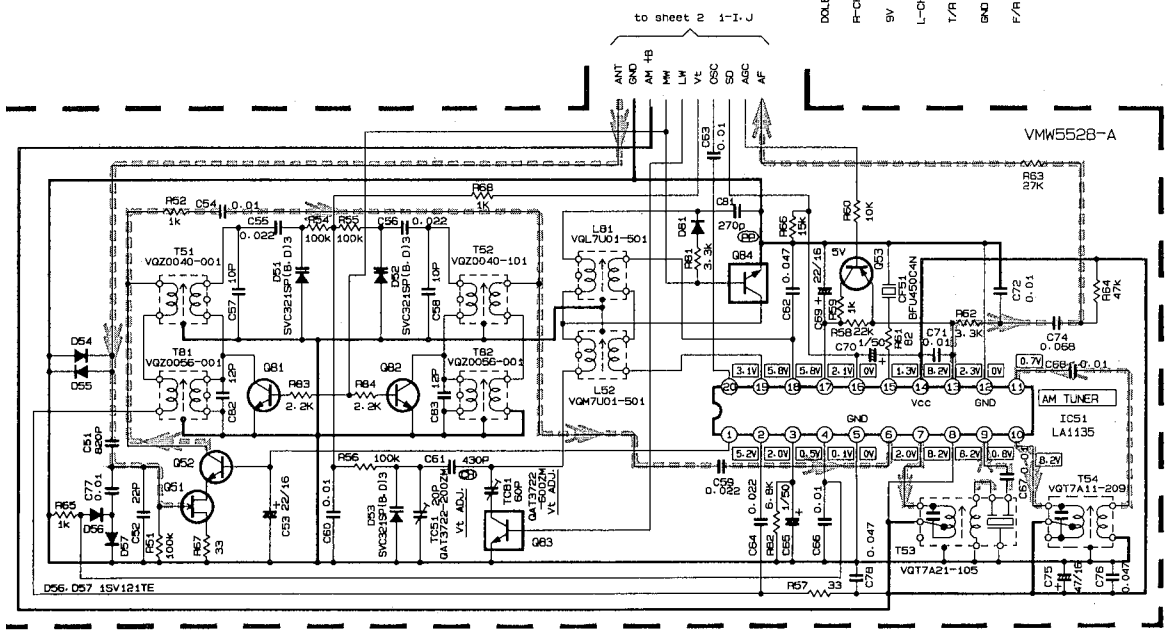
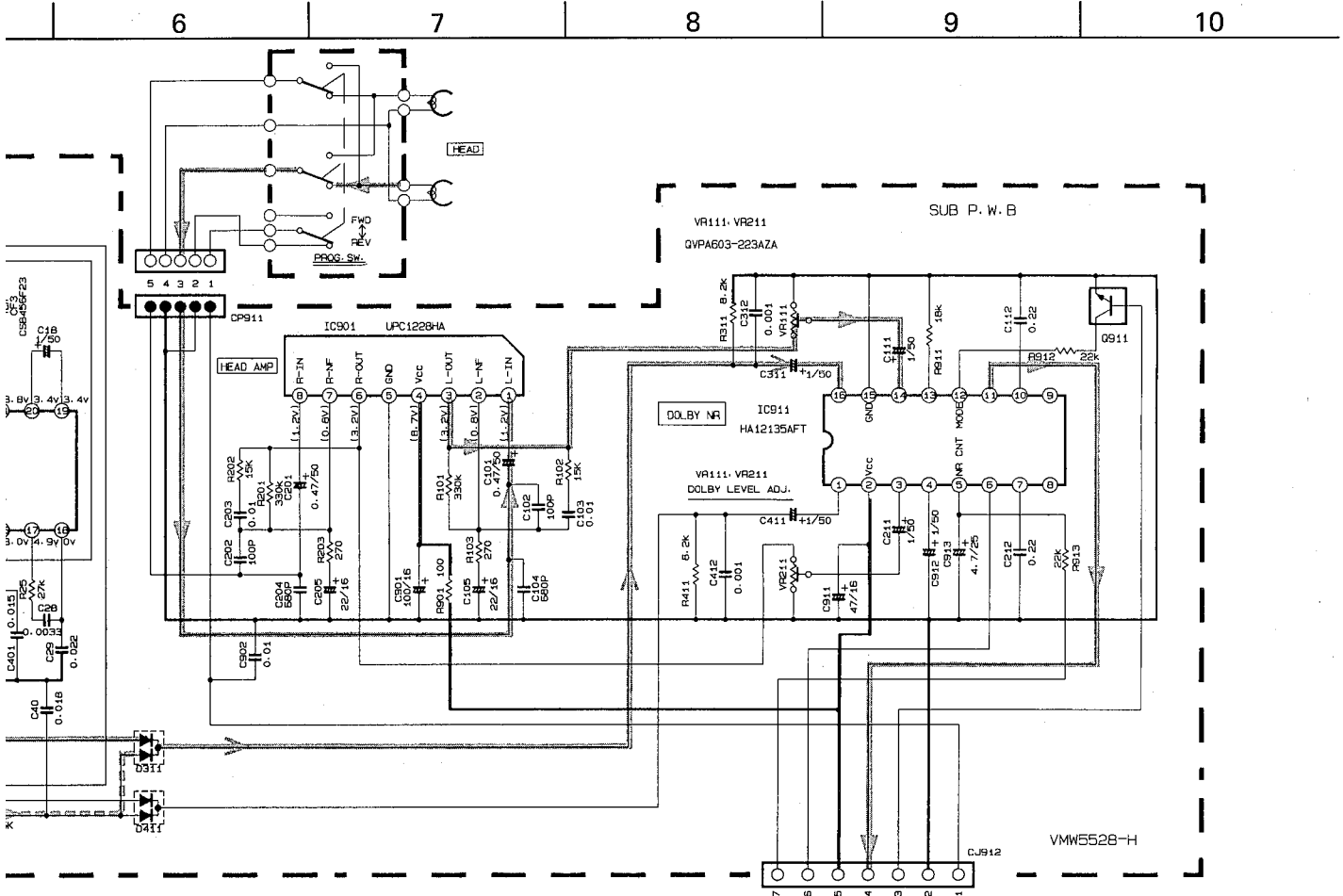


Fig. 10-1





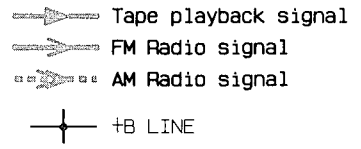
03TV (KS-RT60 B/E/GI)



- NOTES**
1. VOLTAGES ARE DC-MEASURED WITH A DIGITAL VOLT METER WITHOUT INPUT SIGNAL.  
CONDITION: ( ) FM MODE; ( ) TAPE MODE; ( ) AM MODE.
  2. UNLESS OTHERWISE SPECIFIED:  
ALL RESISTORS ARE 1/8W 45X METAL GLAZE RESISTOR OR 1/8W 45X CARBON RESISTOR.  
ALL CAPACITORS ARE 50V CERAMIC CAPACITOR OR 50V MYLAR CAPACITOR.  
ALL RESISTANCE VALUES ARE IN OHMS (Ω).  
ALL CAPACITANCE VALUES ARE IN PICO-FARAD (PF).  
ALL 5-CAPACITORS ARE SHOWN IN THE FORM OF CAPACITANCE (F) / RATED VOLTAGE (V).  
ALL DIODES ARE 1SS133T OR HA185.  
Ⓢ POLYPROPYLENE CAPACITOR.  
Ⓣ 50V 45X MYLAR CAPACITOR OR 50V 45X THIN FILM CAPACITOR.

**DIGITAL TRANSISTOR**

|  |        |         |
|--|--------|---------|
|  | R1     | R2      |
|  | FN1202 | 10K 10K |
|  | FA14MX |         |



■ Tuner/Pre-Amplifier Circuit: Drawing No. VDH3496-003TV (KS-RT60 G/GE)

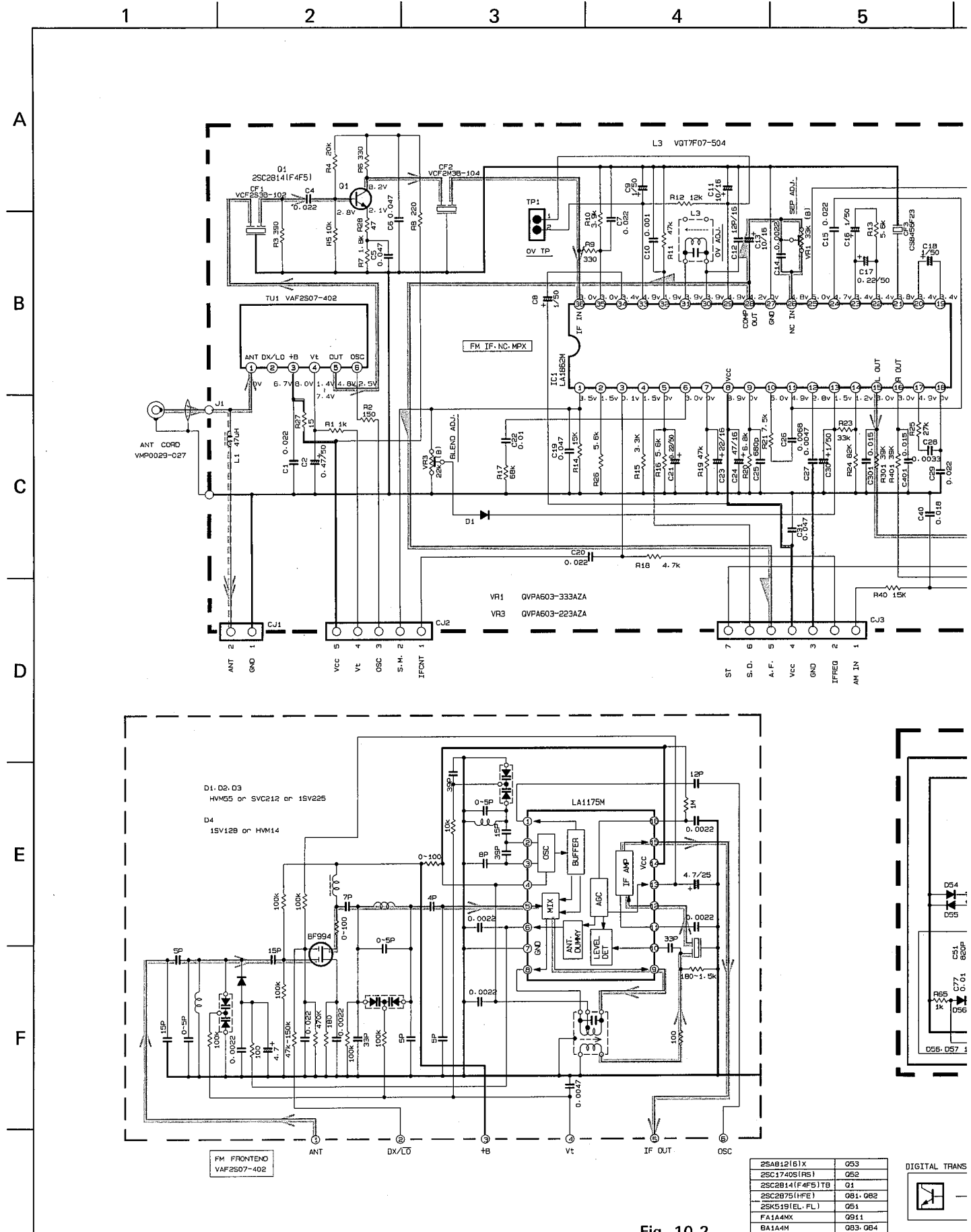
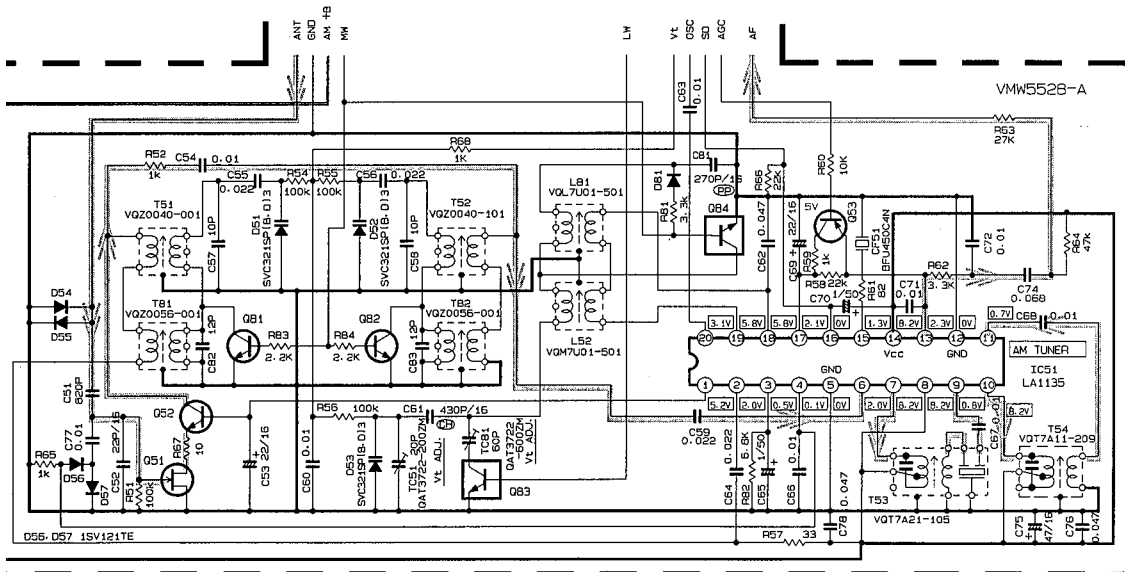
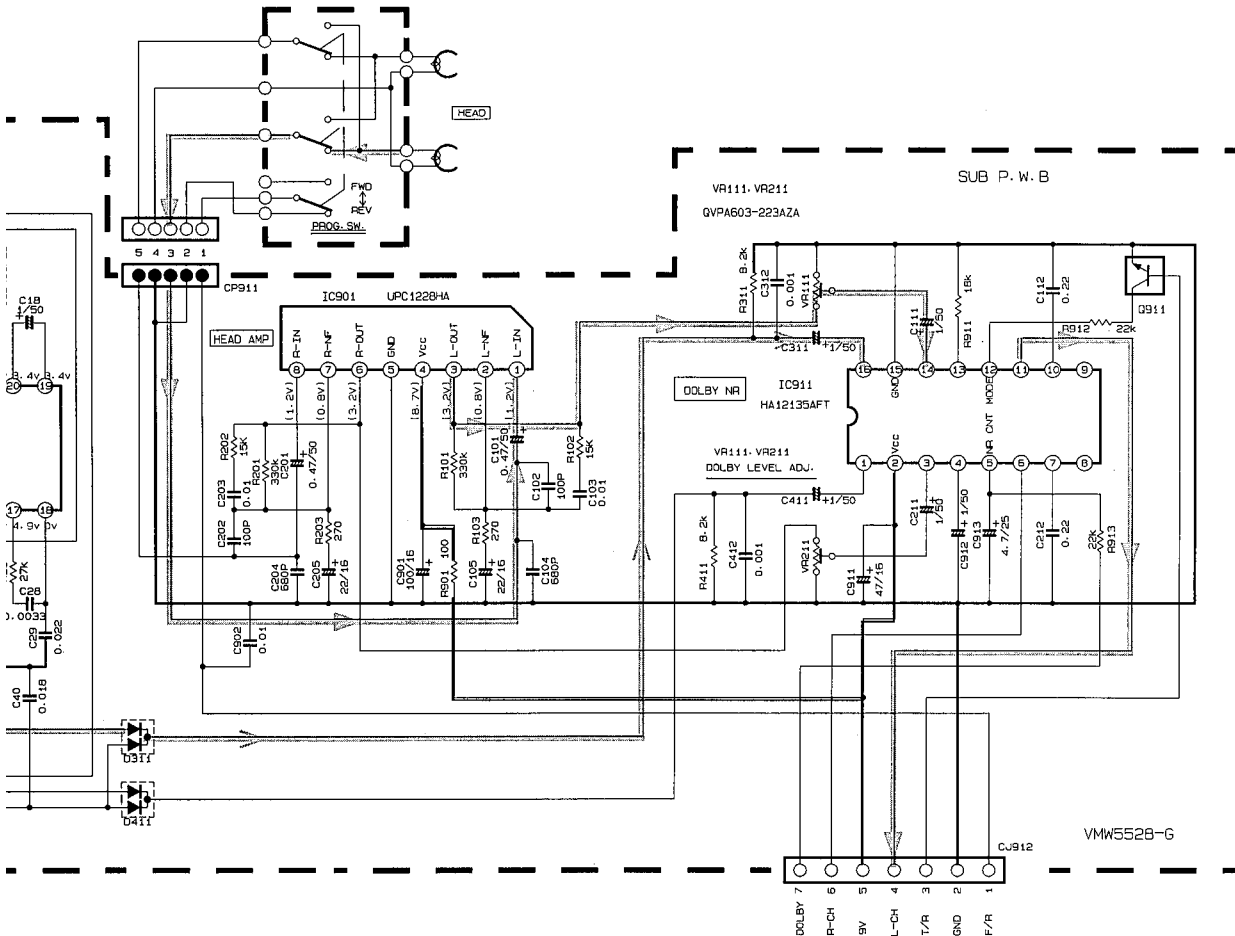
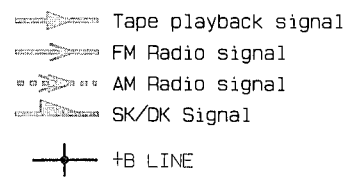


Fig. 10-2



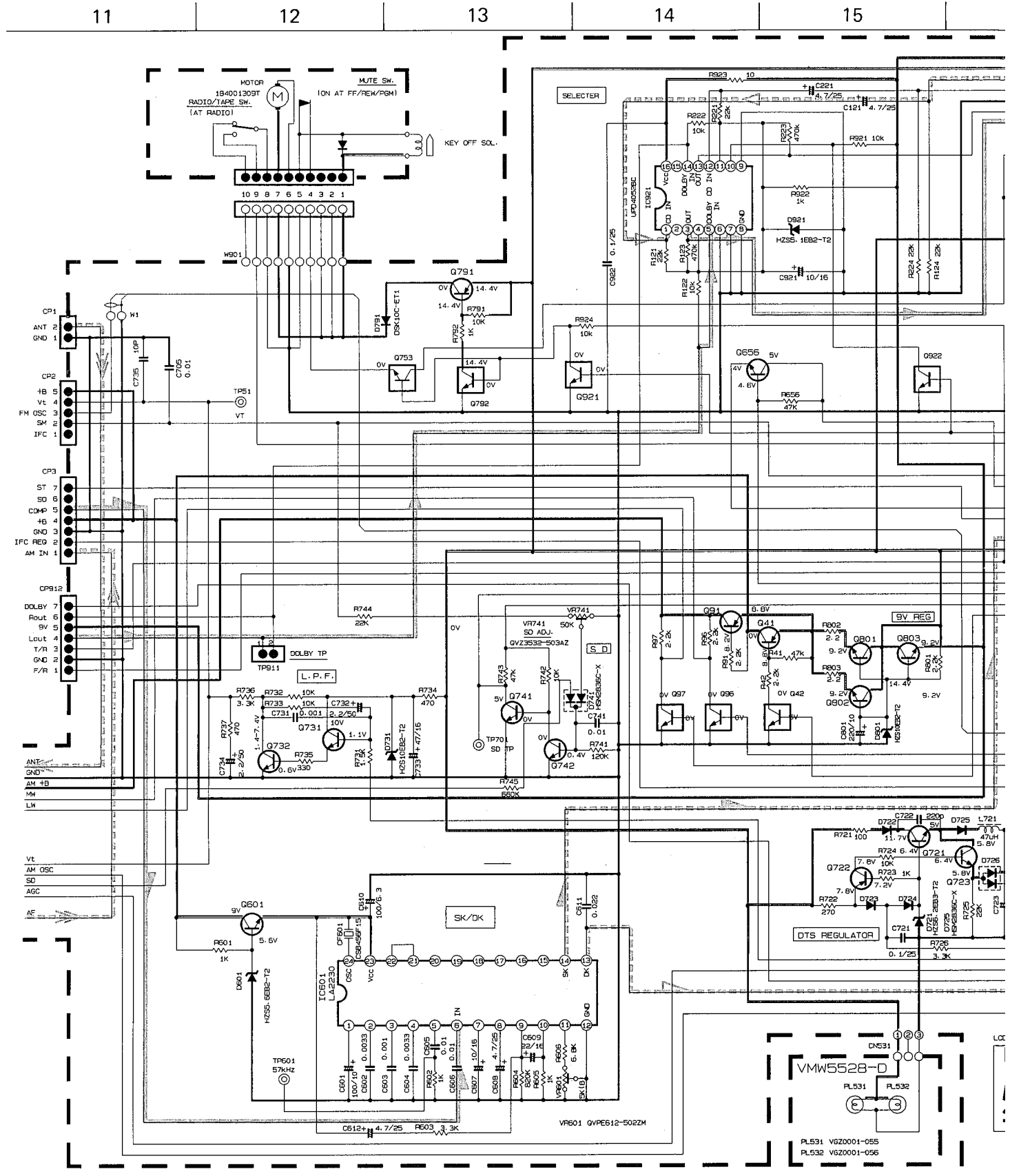
**NOTES**  
 1. VOLTAGES ARE DC-MEASURED WITH A DIGITAL VOLT-METER WITHOUT INPUT SIGNAL. CONDITION --- FM MODE. [ ] TAPE MODE. [ ] AM MODE.  
 2. UNLESS OTHERWISE SPECIFIED  
 ALL RESISTORS ARE 1/8W 1% METAL GLAZE RESISTOR OR 1/8W 5% CARBON RESISTOR.  
 ALL CAPACITORS ARE 50V CERAMIC CAPACITOR OR 50V NYLON CAPACITOR.  
 ALL RESISTANCE VALUES ARE IN OHMS (Ω).  
 ALL CAPACITANCE VALUES ARE IN PICO-FARADS (pF).  
 ALL E-CAPACITORS ARE SHOWN IN THE FORM OF CAPACITANCE (μF)/RATED VOLTAGE (V).  
 ALL DIODES ARE 1N5137 OR M4155  
 (⊖) POLYPROPYLENE CAPACITOR  
 (⊕) 50V 5% NYLON CAPACITOR OR 50V 5% THIN FILM CAPACITOR



GITAL TRANSISTOR

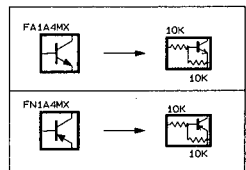
|          | R1  | R2  |
|----------|-----|-----|
| RV1202   | 10K | 10K |
| FA1A-4MX |     |     |

■ Changer Control/LCD Tape Controller Circuit: Drawing No. VDH3496-003CV (KS-RT60 G/GE)



NOTES

- VOLTAGES ARE DC-MEASURED WITH A DIGITAKOLT METER WITHOUT INPUT SIGNAL. CONDITION - - - FM MODE.
- UNLESS OTHERWISE SPECIFIED ALL RESISTORS ARE 1/8W ±5% METAL GLAZE RESISTOR. ALL CAPACITORS ARE 50V CERAMIC CAPACITOR OR 50V MYLAR CAPACITOR. ALL RESISTANCE VALUES ARE IN OHM(Ω). ALL CAPACITANCE VALUES ARE IN PICO(F), ALL E. CAPACITORS ARE SHOWN IN THE FORM OF CAPACITANCE(F)/RATED VOLTAGE (V). ALL DIODES ARE 1SS133T OR MA165S (Ω) 50V ±5% MYLAR CAPACITOR OR 50V ±5% THIN FILM CAPACITOR



|             |   |
|-------------|---|
| 25A816161X  | 091-0722                                  |
| 25B643(R-S) | 041-0791                                  |
| 25C1623161X | 0601-0650-0723-0731-0732-0741-0742        |
| 25D973(R-S) | 0721-0801-0802-0803                       |
| FA1A4MK     | 042-056-057-0753-0781-0782-0792-0821-0822 |
| FN1A4MK     | 0651-0751-0752                            |

Fig. 10-3

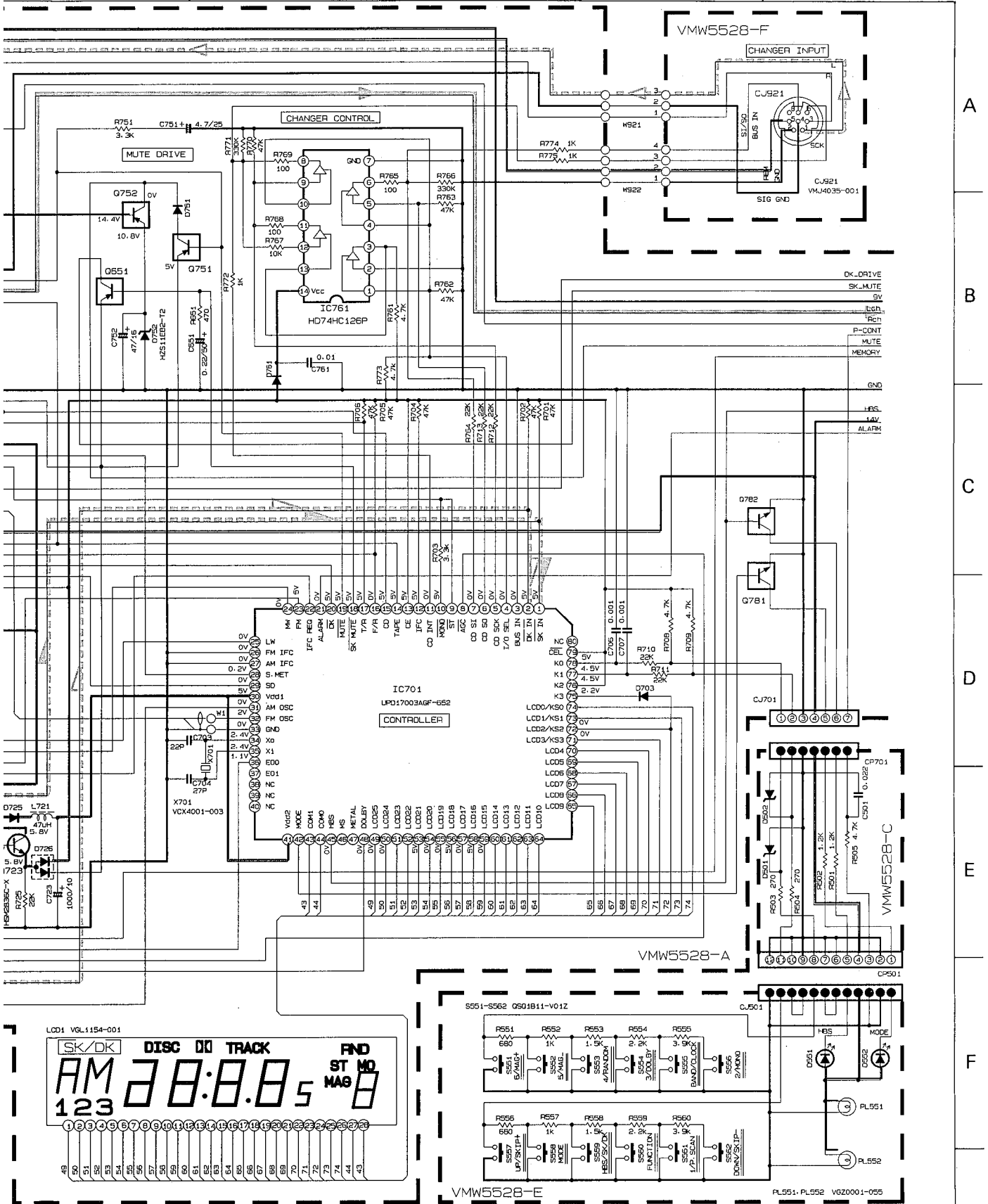
16

17

18

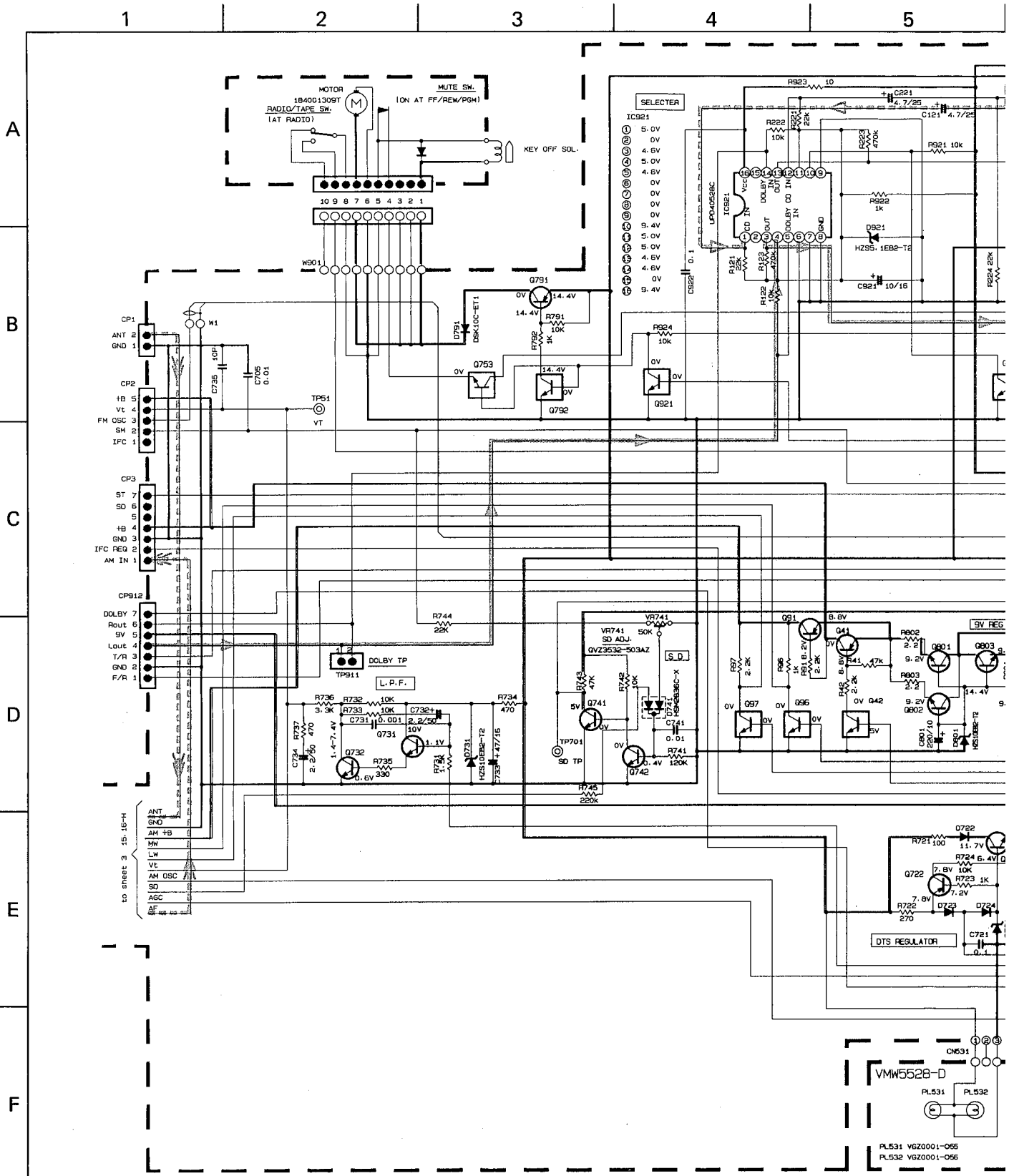
19

20

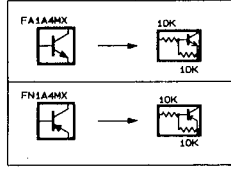


- DK Signal
- SK/DK Signal
- SK Signal
- CD Analog signal
- Tape playback signal
- AM Radio signal
- +B LINE

■ Changer Control/LCD Controller Circuit: Drawing No. VDH3496-002CV (KS-RT60 B/E/GI)



**NOTES**  
 1. VOLTAGES ARE DC-MEASURED WITH A DIGITAVOLT METER WITHOUT INPUT SIGNAL. CONDITION - - - FM MODE.  
 2. UNLESS OTHERWISE SPECIFIED  
 ALL RESISTORS ARE 1/8W ±5% METAL GLAZE RESISTOR.  
 ALL CAPACITORS ARE 50V CERAMIC CAPACITOR OR 50V MYLAR CAPACITOR.  
 ALL RESISTANCE VALUES ARE IN OHM (Ω).  
 ALL CAPACITANCE VALUES ARE IN PICO (pF).  
 ALL CAPACITORS ARE SHOWN IN THE FORM OF CAPACITANCE (pF)/RATED VOLTAGE (V).  
 ALL DIODES ARE 1SS1337 OR 1N4165  
 (C) 50V ±5% MYLAR CAPACITOR OR 50V ±5% THIN FILM CAPACITOR



|               |   |
|---------------|---|
| 2S4816(E)X    | 091: 0722   |
| 2S8643(R, S)  | 041: 0791   |
| 2SC16231(E)X  | 0656: 0723, 0731, 0732, 0741, 0742                |
| 2SD9731(R, S) | 0721, 0601, 0602, 0603                            |
| FA1A4MX       | 042, 096, 097, 0753, 0781, 0782, 0792, 0921, 0922 |
| FN1A4MX       | 0651, 0751, 0752                                  |

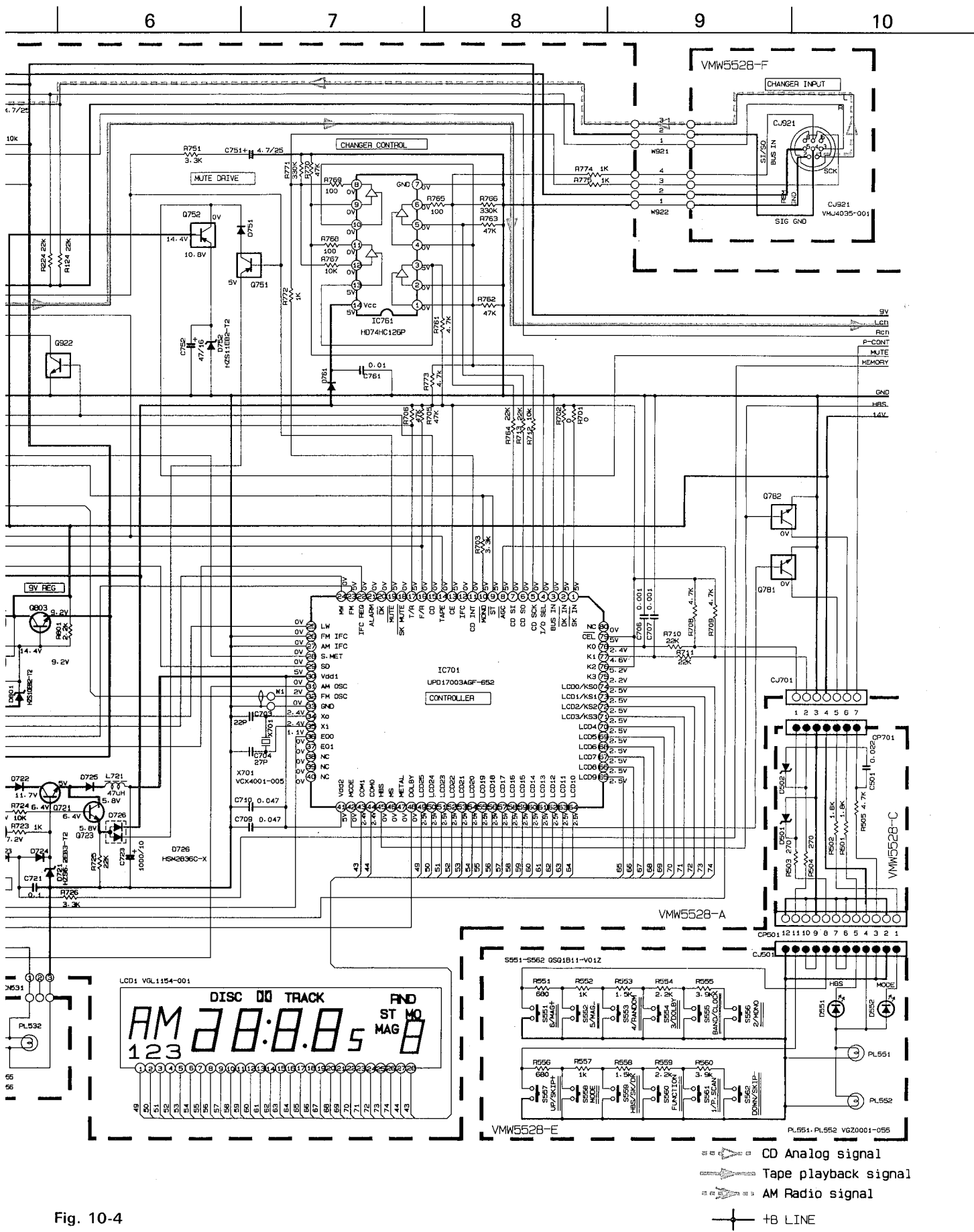


Fig. 10-4

- ⊞ CD Analog signal
- ⊞ Tape playback signal
- ⊞ AM Radio signal
- ⊞ +B LINE

■ Power Amplifier Circuit: Drawing No. VDH3496-002AV (KS-RT60 B/E/GI)

11

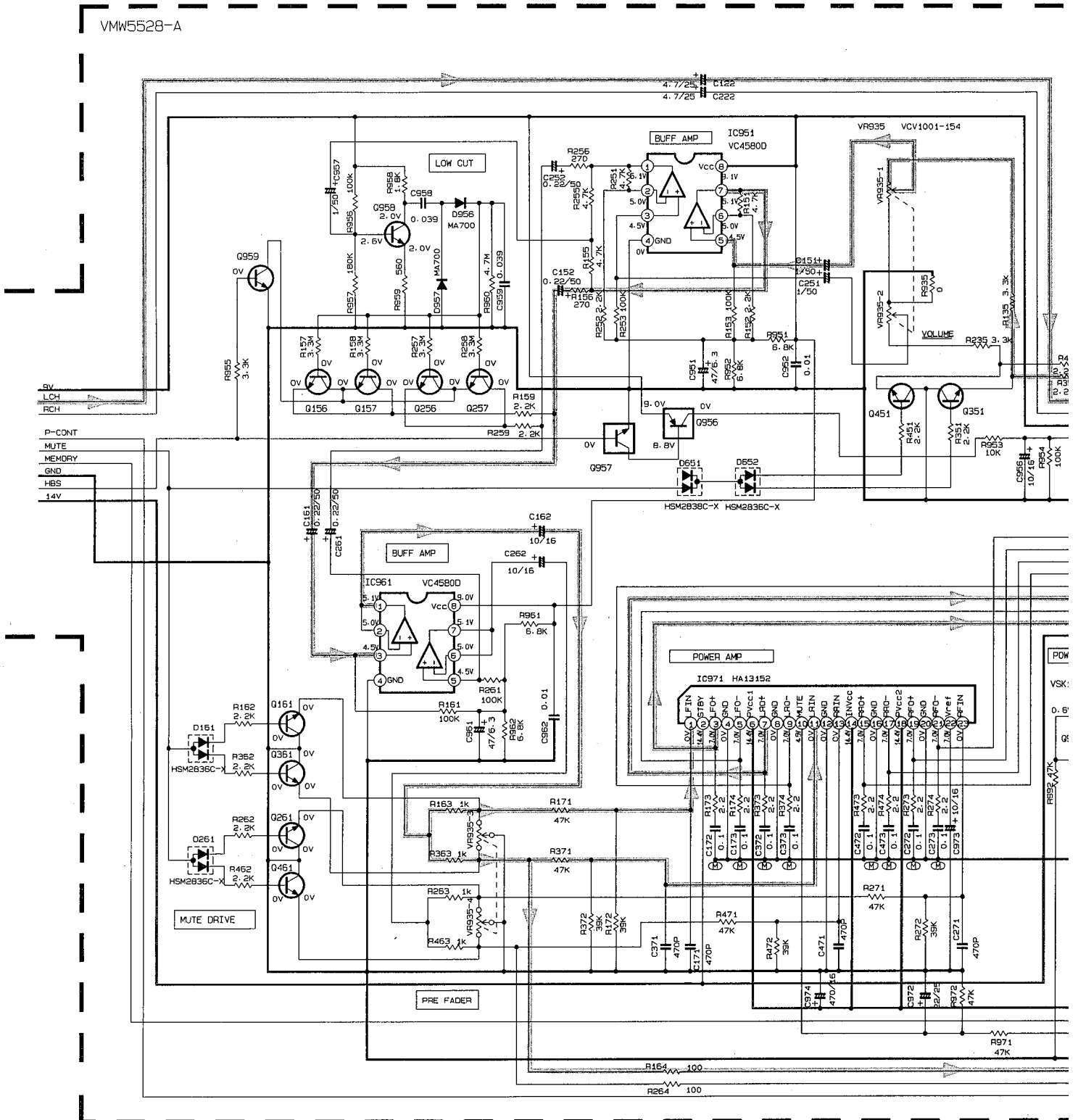
12

13

14

15

VMW5528-A



NOTES

1. VOLTAGES ARE DC-MEASURED WITH A DIGITAL VOLT METER WITHOUT INPUT SIGNAL.  
CONDITION - - - FM MODE.
2. UNLESS OTHERWISE SPECIFIED.  
ALL RESISTORS ARE 1/6W 5% CARBON RESISTOR.  
ALL CAPACITORS ARE 50V CERAMIC CAPACITOR.  
ALL RESISTANCE VALUES ARE IN OHM(I).  
ALL CAPACITANCE VALUES ARE IN nF(P=pF).  
ALL C. CAPACITORS ARE SHOWN IN THE FORM OF CAPACITANCE(R) / RATED VOLTAGE(V).  
ALL DIODES ARE 1SS133T

⊖ - - - MYLAR CAPACITOR

|                |  |
|----------------|--|
| 2SC1623(6)X    | Q156, Q256, Q157, Q257, Q161, Q261, Q361, Q461, Q959, Q959, Q992 |
| 2SK301(P, Q)TA | Q141, Q241   |
| FA1A4MX        | Q957   |
| FN1A4MX        | Q956, Q991   |



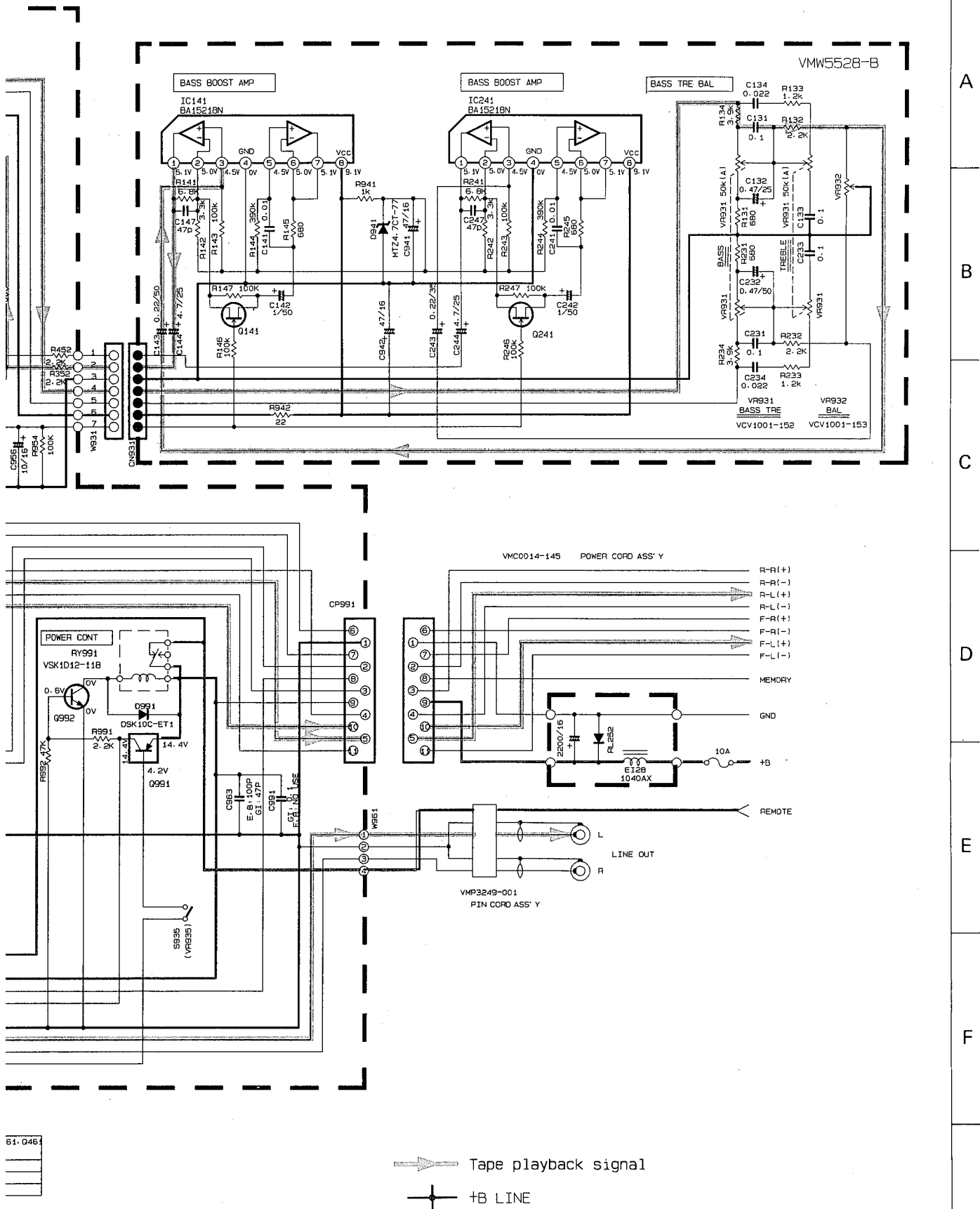
16

17

18

19

20



A

B

C



D

E

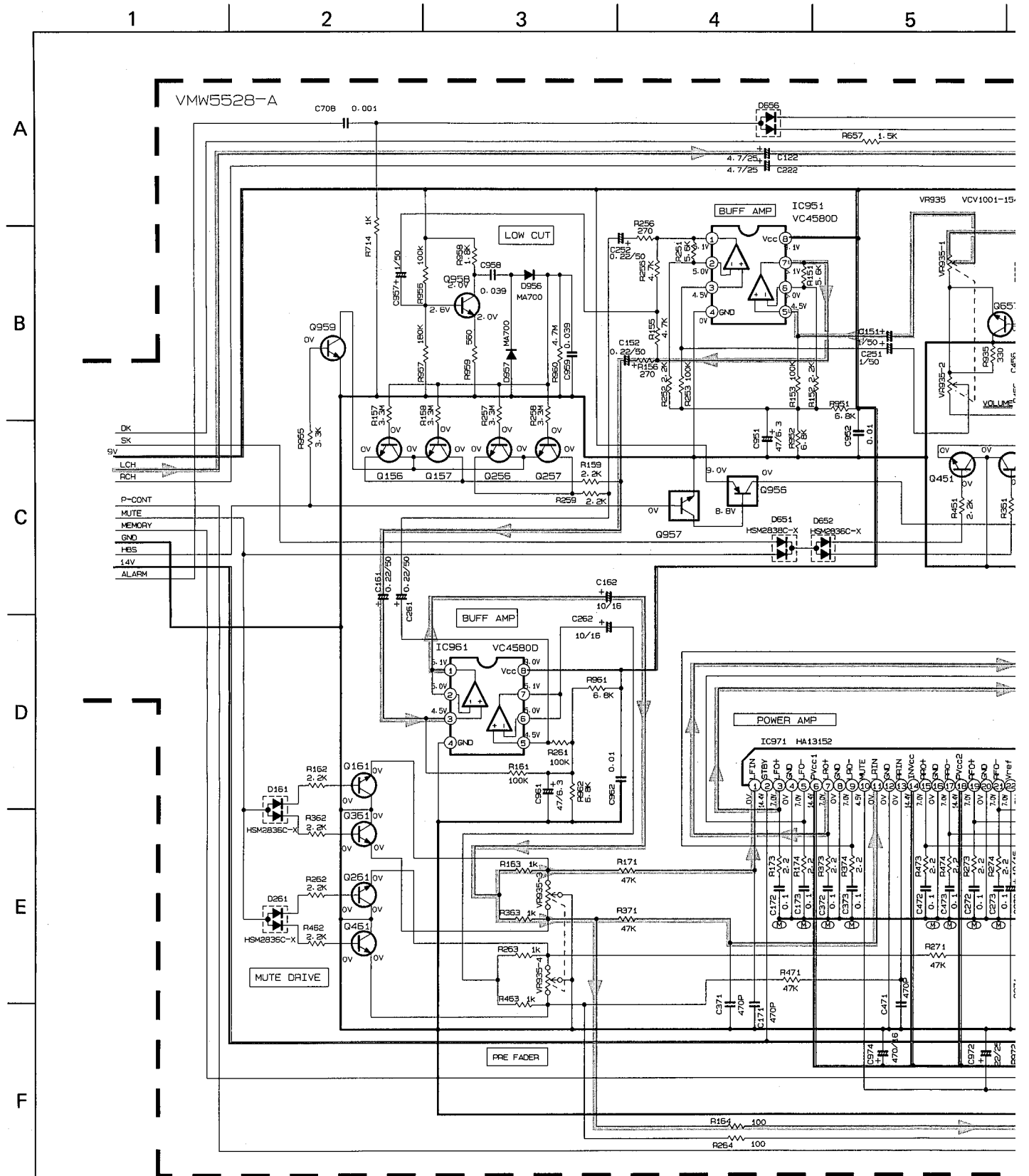
F

61-0461

Fig. 10-5

 Tape playback signal  
 +B LINE

■ Power Amplifier Circuit: Drawing No. VDH3496-003AV (KS-RT60 G/GE)



NOTES

1. VOLTAGES ARE DC-MEASURED WITH A DIGITAL VOLT METER WITHOUT INPUT SIGNAL.  
CONDITION -- FM MODE.

2. UNLESS OTHERWISE SPECIFIED.

ALL RESISTORS ARE 1/8W 5% CARBON RESISTOR.

ALL CAPACITORS ARE 50V CERAMIC CAPACITOR.

ALL RESISTANCE VALUES ARE IN OHM(Ω).

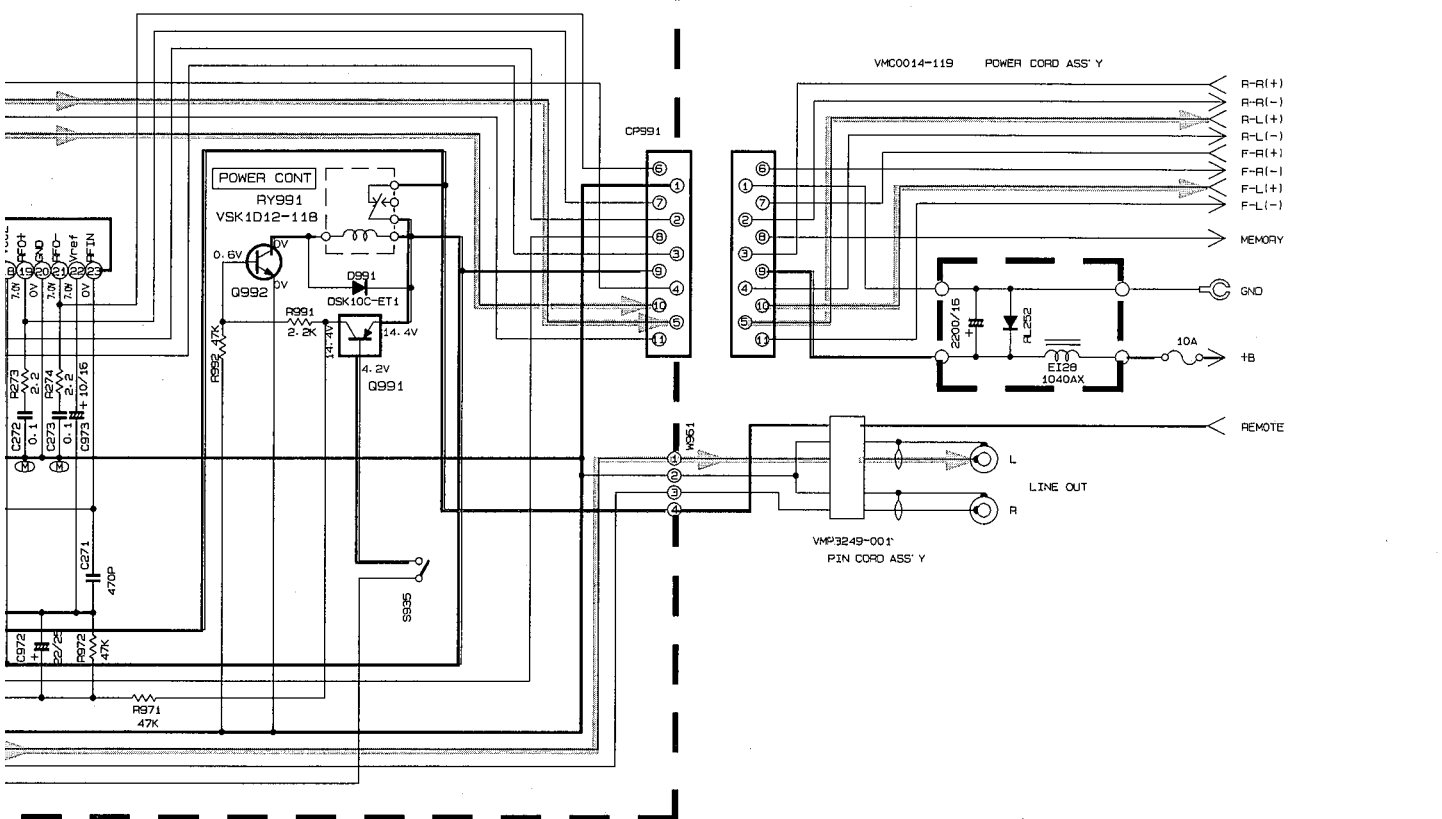
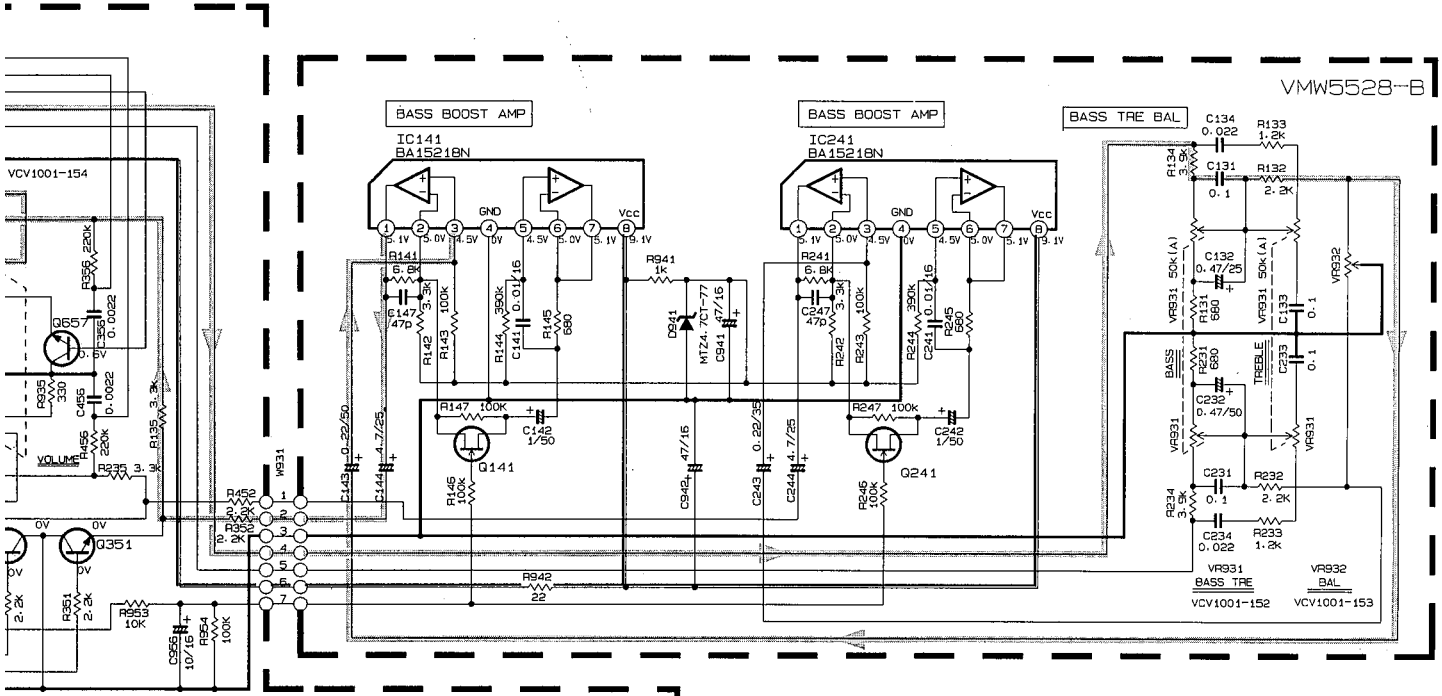
ALL CAPACITANCE VALUES ARE IN μF(μF).

ALL E. CAPACITORS ARE SHOWN IN THE FORM OF CAPACITANCE(μF) / RATED VOLTAGE(V).

ALL DIODES ARE 1SS133T

⊗ -- MYLAR CAPACITOR

|                  |  |
|------------------|--|
| 2SC1623(6)X      | Q156, Q256, Q157, Q257, Q151, Q351, Q451, Q958, Q959, Q955 |
| 2SK3011P, Q1TA   | Q141, Q241   |
| FA1A4MX          | Q957   |
| FN1A4MX          | Q958, Q991   |
| 2SD1048(X6-7)1TB | Q657   |



|                                  |
|----------------------------------|
| 57. Q257, Q161, Q261, Q361, Q461 |
| 58. Q993, Q992                   |
|                                  |
|                                  |
|                                  |

Fig. 10-6

➔ Tape playback signal

⊕ +B LINE





1 2 3 4 5

• KS-RT60 G/GE

• M  
• P.

A

B

C

D

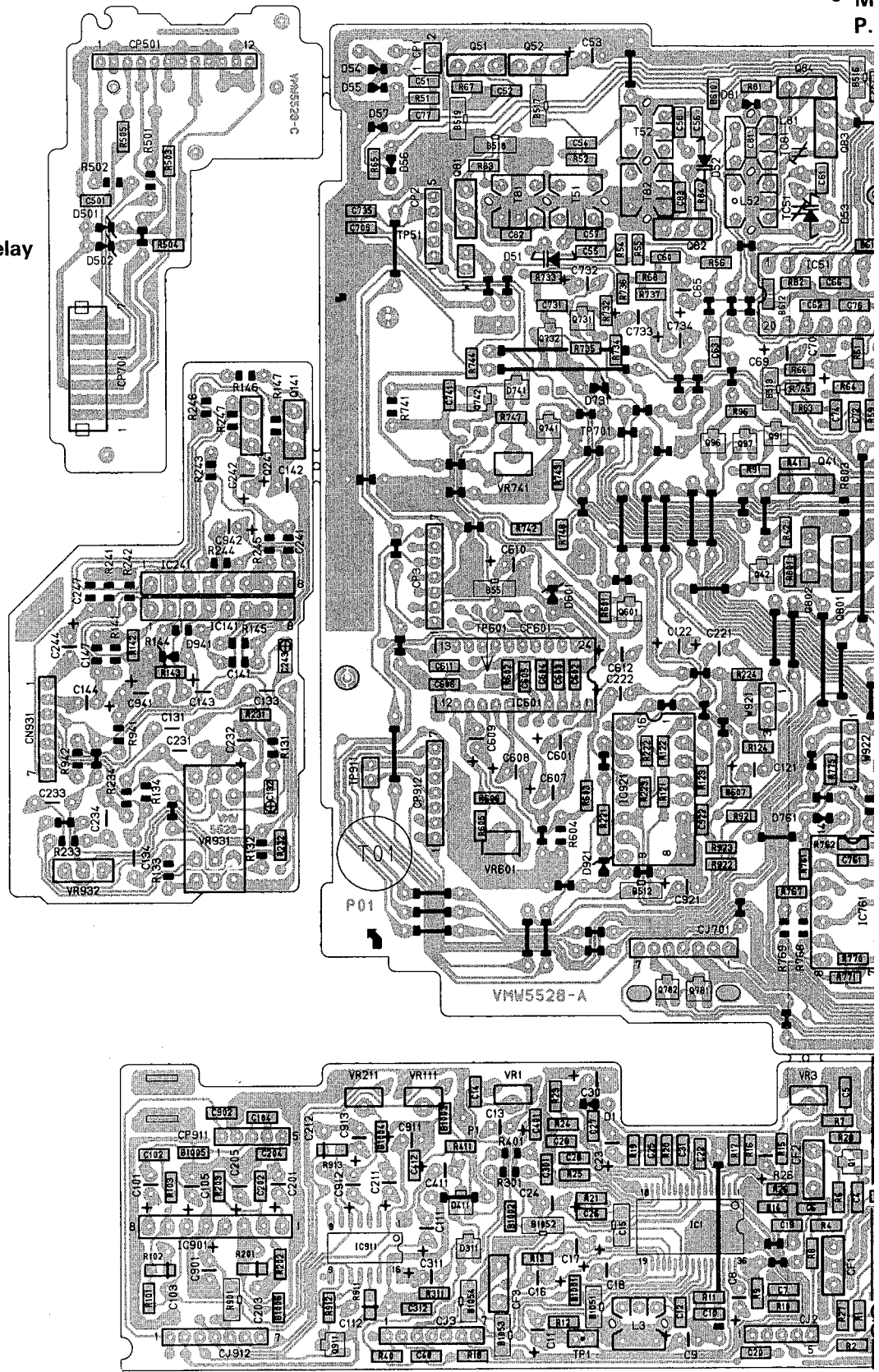
E

F

• Connector relay  
P.C. Board

• Power Amplifier  
/Volume P.C. Board

• FM Tuner/Pre-Amplifier P.C. Board





6

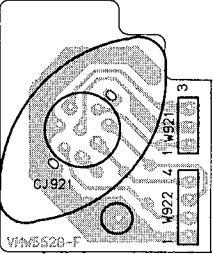
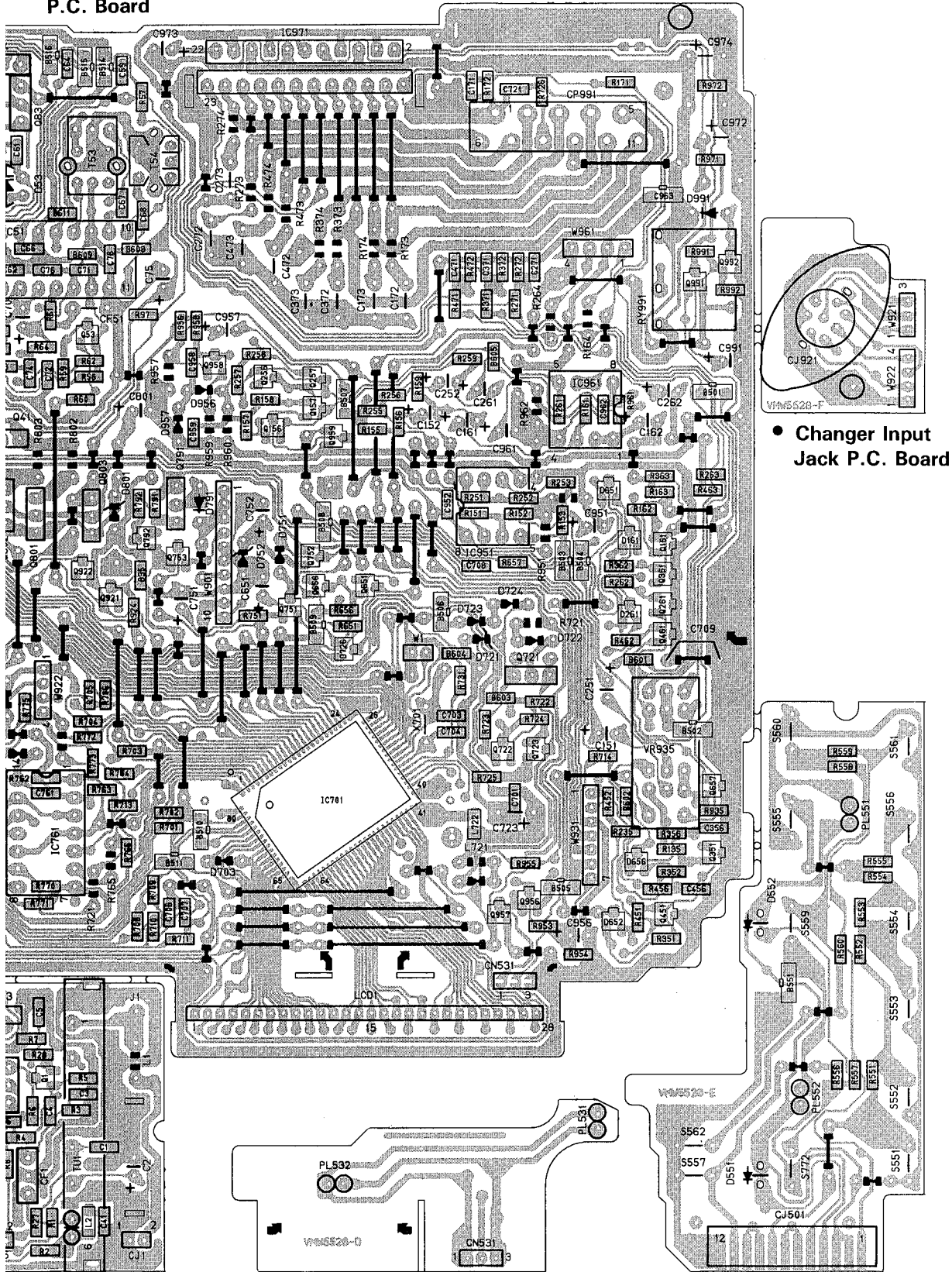
7

8

9

10

• Main Amplifier  
P.C. Board



• Changer Input  
Jack P.C. Board

• Lamp P.C. Board

• Operation Switch P.C. Board

Fig. 11-2

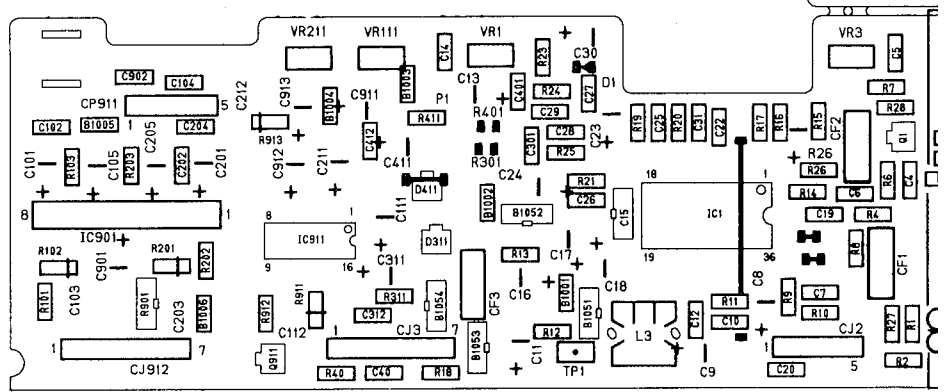
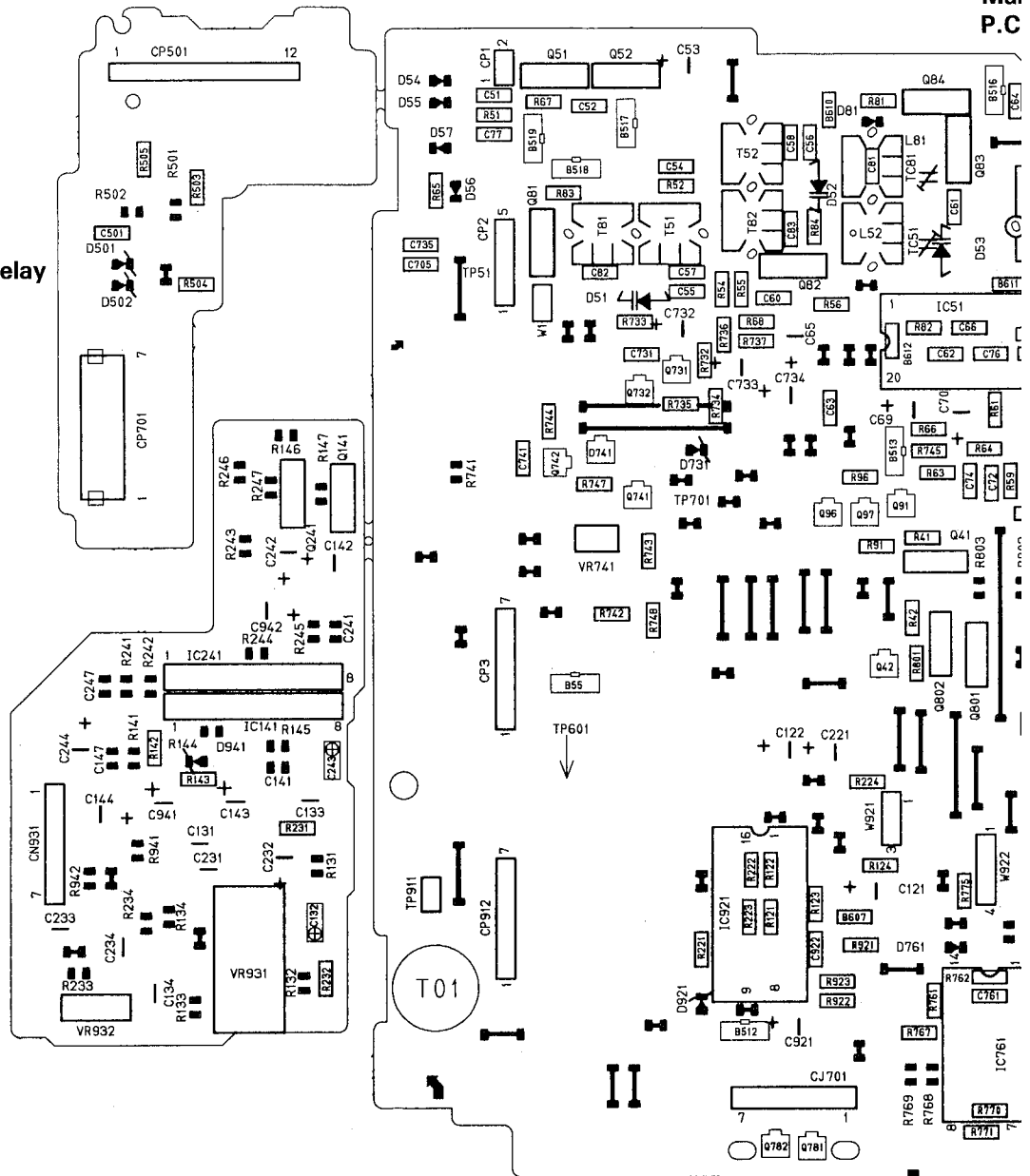
# 12. Electrical Parts List

## ■ Main P.C. Board Parts

### ● Connector relay P.C. Board

### ● Power Amplifier /Volume P.C. Board

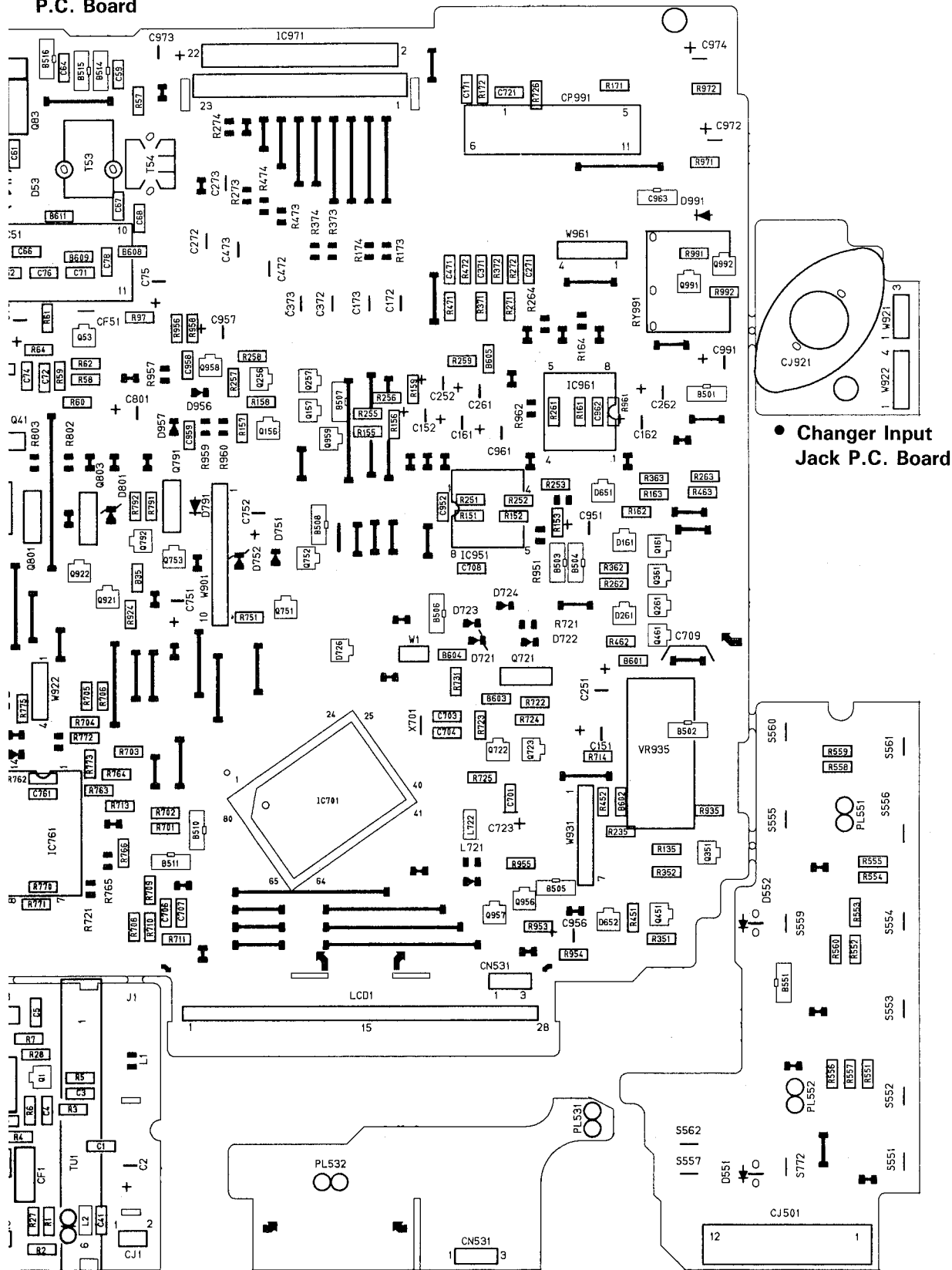
### ● Mai P.C



### ● FM Tuner/Pre-Amplifier P.C. Board



• Main Amplifier  
P.C. Board



• Changer Input  
Jack P.C. Board

• Lamp P.C. Board

• Operation Switch P.C. Board

Fig. 12-1

BLOCK NO. 01

| REF.  | PARTS NO.     | PARTS NAME      | REMARKS        | SUFFIX |
|-------|---------------|-----------------|----------------|--------|
| C 76  | NCB21HK-473AY | C. CAPACITOR    | .047MF 10% 25V |        |
| C 77  | NCB21HK-103AY | C. CAPACITOR    | .010MF 10% 50V |        |
| C 78  | NCB21HK-473AY | C. CAPACITOR    | .047MF 10% 25V |        |
| C 81  | NCT21CH-271AY | C. CAPACITOR    | 270PF +50:-10% |        |
| C 82  | NCS21HJ-120AY | C. CAPACITOR    | 12PF 5% 50V    |        |
| C 83  | NCS21HJ-120AY | C. CAPACITOR    | 12PF 5% 50V    |        |
| C 101 | QEK41HM-474   | E. CAPACITOR    | .47MF 20% 50V  |        |
| C 102 | NCS21HJ-101AY | C. CAPACITOR    | 100PF 5% 50V   |        |
| C 103 | QFV71HJ-103   | FILM CAPACITOR  | .010MF 5% 50V  |        |
| C 104 | NCB21HK-681AY | C. CAPACITOR    | 680PF 10% 50V  |        |
| C 105 | QEK41CM-226   | E. CAPACITOR    | .22MF 20% 16V  |        |
| C 111 | QEK41HM-105   | E. CAPACITOR    | 1.0MF 20% 50V  |        |
| C 112 | QFV41HJ-224   | FILM CAPACITOR  | .22MF 5% 50V   |        |
| C 121 | QER41EM-475VM | E. CAPACITOR    | 4.7MF 20% 25V  |        |
| C 122 | QER41EM-475VM | E. CAPACITOR    | 4.7MF 20% 25V  |        |
| C 131 | QCC11EM-104V  | C. CAPACITOR    | .10MF 20% 25V  |        |
| C 132 | NEF11EM-474RY | TS.E. CAPACITOR | .47MF 20% 25V  |        |
| C 133 | QCC11EM-104V  | C. CAPACITOR    | .10MF 20% 25V  |        |
| C 134 | QCC11EM-223V  | C. CAPACITOR    | .022MF 20% 25V |        |
| C 141 | QCVB1CM-103Y  | C. CAPACITOR    | .010MF 20% 16V |        |
| C 142 | QEK41HM-105   | E. CAPACITOR    | 1.0MF 20% 50V  |        |
| C 143 | QEK41HM-224   | E. CAPACITOR    | .22MF 20% 50V  |        |
| C 144 | QEK41EM-475   | E. CAPACITOR    | 4.7MF 20% 25V  |        |
| C 147 | QCS11HJ-470   | C. CAPACITOR    | 47PF 5% 50V    |        |
| C 151 | QEK41HM-105   | E. CAPACITOR    | 1.0MF 20% 50V  |        |
| C 152 | QER41HM-224VS | E. CAPACITOR    | .22MF 20% 50V  |        |
| C 161 | QER41HM-224VS | E. CAPACITOR    | .22MF 20% 50V  |        |
| C 162 | QEK41CM-106   | E. CAPACITOR    | 10MF 20% 16V   |        |
| C 171 | NCT21CH-471AY | C. CAPACITOR    | 470PF +50:-10% |        |
| C 172 | QFV41HJ-104   | FILM CAPACITOR  | .10MF 5% 50V   |        |
| C 173 | QFV41HJ-104   | FILM CAPACITOR  | .10MF 5% 50V   |        |
| C 201 | QEK41HM-474   | E. CAPACITOR    | .47MF 20% 50V  |        |
| C 202 | NCS21HJ-101AY | C. CAPACITOR    | 100PF 5% 50V   |        |
| C 203 | QFV71HJ-103   | FILM CAPACITOR  | .010MF 5% 50V  |        |
| C 204 | NCB21HK-681AY | C. CAPACITOR    | 680PF 10% 50V  |        |
| C 205 | QEK41CM-226   | E. CAPACITOR    | .22MF 20% 16V  |        |
| C 211 | QEK41HM-105   | E. CAPACITOR    | 1.0MF 20% 50V  |        |
| C 212 | QFV41HJ-224   | FILM CAPACITOR  | .22MF 5% 50V   |        |
| C 221 | QER41EM-475VM | E. CAPACITOR    | 4.7MF 20% 25V  |        |
| C 222 | QER41EM-475VM | E. CAPACITOR    | 4.7MF 20% 25V  |        |
| C 231 | QCC11EM-104V  | C. CAPACITOR    | .10MF 20% 25V  |        |
| C 232 | QEK41HM-474   | E. CAPACITOR    | .47MF 20% 50V  |        |
| C 233 | QCC11EM-104V  | C. CAPACITOR    | .10MF 20% 25V  |        |
| C 234 | QCC11EM-223V  | C. CAPACITOR    | .022MF 20% 25V |        |
| C 241 | QCVB1CM-103Y  | C. CAPACITOR    | .010MF 20% 16V |        |
| C 242 | QEK41HM-105   | E. CAPACITOR    | 1.0MF 20% 50V  |        |
| C 243 | NEF11EM-224RY | TS.E. CAPACITOR | .22MF 20% 35V  |        |
| C 244 | QEK41EM-475   | E. CAPACITOR    | 4.7MF 20% 25V  |        |
| C 247 | QCS11HJ-470   | C. CAPACITOR    | 47PF 5% 50V    |        |
| C 251 | QEK41HM-105   | E. CAPACITOR    | 1.0MF 20% 50V  |        |
| C 252 | QER41HM-224VS | E. CAPACITOR    | .22MF 20% 50V  |        |
| C 261 | QER41HM-224VS | E. CAPACITOR    | .22MF 20% 50V  |        |
| C 262 | QEK41CM-106   | E. CAPACITOR    | 10MF 20% 16V   |        |
| C 271 | NCT21CH-471AY | C. CAPACITOR    | 470PF +50:-10% |        |
| C 272 | QFV41HJ-104   | FILM CAPACITOR  | .10MF 5% 50V   |        |

BLOCK NO. 01

| REF. | PARTS NO.     | PARTS NAME   | REMARKS         | SUFFIX |
|------|---------------|--------------|-----------------|--------|
| C 2  | QEK41HM-104   | E. CAPACITOR | .10MF 20% 50V   |        |
| C 4  | NCB21HK-223AY | C. CAPACITOR | .022MF 10% 25V  |        |
| C 5  | NCB21HK-473AY | C. CAPACITOR | .047MF 10% 25V  |        |
| C 6  | NCB21HK-473AY | C. CAPACITOR | .047MF 10% 25V  |        |
| C 7  | NCB21HK-223AY | C. CAPACITOR | .022MF 10% 25V  |        |
| C 8  | QEK41HM-105   | E. CAPACITOR | 1.0MF 20% 50V   |        |
| C 9  | QEK41HM-105   | E. CAPACITOR | 1.0MF 20% 50V   |        |
| C 10 | NCB21HK-102AY | C. CAPACITOR | 1000PF 10% 50V  |        |
| C 11 | QEK41CM-106   | E. CAPACITOR | 10MF 20% 16V    |        |
| C 12 | NCT21CH-120AY | C. CAPACITOR | 12PF +50:-10% 1 |        |
| C 13 | QEK41CM-106   | E. CAPACITOR | 10MF 20% 16V    |        |
| C 14 | NCB21HK-222AY | C. CAPACITOR | .2200PF 10% 50V |        |
| C 15 | QCY81HK-223Y  | C. CAPACITOR | .022MF 10% 50V  |        |
| C 16 | QEK41HM-105   | E. CAPACITOR | 1.0MF 20% 50V   |        |
| C 17 | QEK41HM-224   | E. CAPACITOR | .22MF 20% 50V   |        |
| C 18 | QEK41HM-105   | E. CAPACITOR | 1.0MF 20% 50V   |        |
| C 19 | NCB21HK-473AY | C. CAPACITOR | .047MF 10% 25V  |        |
| C 20 | NCB21HK-223AY | C. CAPACITOR | .022MF 10% 25V  |        |
| C 21 | QEK41HM-224   | E. CAPACITOR | .22MF 20% 50V   |        |
| C 22 | NCB21HK-103AY | C. CAPACITOR | .010MF 10% 50V  |        |
| C 23 | QEK41CM-226   | E. CAPACITOR | .22MF 20% 16V   |        |
| C 24 | QEK41CM-476   | E. CAPACITOR | 47MF 20% 16V    |        |
| C 25 | NCS21HJ-681AY | C. CAPACITOR | 680PF 5% 50V    |        |
| C 26 | NCB21HK-682AY | C. CAPACITOR | 6800PF 10% 50V  |        |
| C 27 | NCB21HK-222AY | C. CAPACITOR | 2200PF 10% 50V  |        |
| C 28 | NCB21HK-332AY | C. CAPACITOR | 3300PF 10% 50V  |        |
| C 29 | NCB21HK-223AY | C. CAPACITOR | .022MF 10% 25V  |        |
| C 30 | QEK41HM-105   | E. CAPACITOR | 1.0MF 20% 50V   |        |
| C 31 | NCB21HK-473AY | C. CAPACITOR | .047MF 10% 25V  |        |
| C 40 | NCB21HK-183AY | C. CAPACITOR | .018MF 10% 50V  |        |
| C 41 | NCT21CH-101AY | C. CAPACITOR | 100PF +50:-10%  |        |
| C 51 | NCS21HJ-821AY | C. CAPACITOR | 820PF 5% 50V    |        |
| C 52 | NCT21CH-220AY | C. CAPACITOR | 22PF +50:-10% 1 |        |
| C 53 | QEK41CM-226   | E. CAPACITOR | .22MF 20% 16V   |        |
| C 54 | NCB21HK-103AY | C. CAPACITOR | .010MF 10% 50V  |        |
| C 55 | NCB21HK-223AY | C. CAPACITOR | .022MF 10% 25V  |        |
| C 56 | NCB21HK-223AY | C. CAPACITOR | .022MF 10% 25V  |        |
| C 57 | NCS21HJ-100AY | C. CAPACITOR | 10PF 50V        |        |
| C 58 | NCS21HJ-100AY | C. CAPACITOR | 10PF 50V        |        |
| C 59 | NCB21HK-223AY | C. CAPACITOR | .022MF 10% 25V  |        |
| C 60 | NCB21HK-103AY | C. CAPACITOR | .010MF 10% 50V  |        |
| C 61 | NCT21CH-431AY | C. CAPACITOR | 430PF +50:-10%  |        |
| C 62 | NCB21HK-473AY | C. CAPACITOR | .047MF 10% 25V  |        |
| C 63 | NCB21HK-103AY | C. CAPACITOR | .010MF 10% 50V  |        |
| C 64 | NCB21HK-223AY | C. CAPACITOR | .022MF 10% 25V  |        |
| C 65 | QEK41HM-105VM | E. CAPACITOR | 1.0MF 20% 50V   |        |
| C 66 | NCB21HK-103AY | C. CAPACITOR | .010MF 10% 50V  |        |
| C 67 | NCB21HK-103AY | C. CAPACITOR | .010MF 10% 50V  |        |
| C 68 | NCB21HK-103AY | C. CAPACITOR | .010MF 10% 50V  |        |
| C 69 | QEK41CM-226VM | E. CAPACITOR | .22MF 20% 16V   |        |
| C 70 | QER41HM-105VM | E. CAPACITOR | 1.0MF 20% 50V   |        |
| C 71 | NCB21HK-103AY | C. CAPACITOR | .010MF 10% 50V  |        |
| C 72 | NCB21HK-103AY | C. CAPACITOR | .010MF 10% 50V  |        |
| C 74 | NCB21EK-683AY | C. CAPACITOR | .068MF 10% 25V  |        |
| C 75 | QER41CM-476M  | E. CAPACITOR | 47MF 20% 16V    |        |

● Main P.C. Board (KS-RT60 B/E/GI)

BLOCK NO. 01111111

| REF.  | PARTS NO.     | PARTS NAME     | REMARKS           | SUFFIX |
|-------|---------------|----------------|-------------------|--------|
| C 273 | QEV41HJ-104   | FILM CAPACITOR | -10MF 5% 50V      |        |
| C 301 | NCB21HK-153AY | C CAPACITOR    | -0.15MF 10% 50V   |        |
| C 311 | QEK41HM-105   | E-CAPACITOR    | 1.0MF 20% 50V     |        |
| C 312 | NCB21HK-102AY | C CAPACITOR    | 1000PF 10% 50V    |        |
| C 371 | NCB21CH-471AY | C CAPACITOR    | 470PF +50%:-10% 1 |        |
| C 372 | QEV41HJ-104   | FILM CAPACITOR | -10MF 5% 50V      |        |
| C 373 | QEV41HJ-104   | FILM CAPACITOR | -10MF 5% 50V      |        |
| C 401 | NCB21HK-153AY | C CAPACITOR    | -0.15MF 10% 50V   |        |
| C 411 | QEK41HM-105   | E-CAPACITOR    | 1.0MF 20% 50V     |        |
| C 412 | NCB21HK-102AY | C CAPACITOR    | 1000PF 10% 50V    |        |
| C 471 | NCB21CH-471AY | C CAPACITOR    | 470PF +50%:-10%   |        |
| C 472 | QEV41HJ-104   | FILM CAPACITOR | -10MF 5% 50V      |        |
| C 473 | QEV41HJ-104   | FILM CAPACITOR | -10MF 5% 50V      |        |
| C 501 | NCB21HK-223AY | C CAPACITOR    | 0.22MF 10% 25V    |        |
| C 703 | NCB21CH-220AY | C CAPACITOR    | 22PF +50%:-10% 1  |        |
| C 704 | NCB21CH-270AY | C CAPACITOR    | 27PF +50%:-10% 1  |        |
| C 705 | NCB21HK-103AY | C CAPACITOR    | -0.10MF 10% 50V   |        |
| C 706 | NCB21HK-102AY | C CAPACITOR    | 1000PF 10% 50V    |        |
| C 707 | NCB21HK-102AY | C CAPACITOR    | 1000PF 10% 50V    |        |
| C 708 | NCB21HK-104   | C CAPACITOR    | -10MF 10% 25V     |        |
| C 709 | NCB21HK-104   | C CAPACITOR    | -10MF 10% 25V     |        |
| C 710 | NCB21HK-473AY | C CAPACITOR    | -0.47MF 10% 25V   |        |
| C 721 | NCB21HK-104   | C CAPACITOR    | -10MF 10% 25V     |        |
| C 723 | QETC1AM-108ZN | E-CAPACITOR    | 1000MF 20% 10V    |        |
| C 731 | NCB21HK-102AY | C CAPACITOR    | 1000PF 10% 50V    |        |
| C 732 | QER41HM-225   | E-CAPACITOR    | 2.2MF 20% 50V     |        |
| C 733 | QER41CM-476M  | E-CAPACITOR    | 47MF 20% 16V      |        |
| C 734 | QER41HM-225   | E-CAPACITOR    | 2.2MF 20% 50V     |        |
| C 735 | NCB21HJ-100AY | C CAPACITOR    | 10PF 50V          |        |
| C 741 | NCB21HK-103AY | C CAPACITOR    | -0.10MF 10% 50V   |        |
| C 751 | QER41EM-475VM | E-CAPACITOR    | 4.7MF 20% 25V     |        |
| C 752 | QER41CM-476M  | E-CAPACITOR    | 47MF 20% 16V      |        |
| C 761 | NCB21HK-103AY | C CAPACITOR    | -0.10MF 10% 50V   |        |
| C 801 | QERF1AM-227ZM | E-CAPACITOR    | 220MF 20% 10V     |        |
| C 901 | QERF1CM-107ZN | E-CAPACITOR    | 100MF 20% 16V     |        |
| C 902 | NCB21HK-103AY | C CAPACITOR    | -0.10MF 10% 50V   |        |
| C 911 | QEK41CM-476   | E-CAPACITOR    | 47MF 20% 16V      |        |
| C 912 | QEK41HM-105   | E-CAPACITOR    | 1.0MF 20% 50V     |        |
| C 913 | QEK41EM-475   | E-CAPACITOR    | 4.7MF 20% 25V     |        |
| C 921 | QER41CM-106   | E-CAPACITOR    | 10MF 20% 16V      |        |
| C 922 | NCB21HK-104   | C CAPACITOR    | -10MF 10% 25V     |        |
| C 941 | QEK41CM-476   | E-CAPACITOR    | 47MF 20% 16V      |        |
| C 942 | QEK41CM-476   | E-CAPACITOR    | 47MF 20% 16V      |        |
| C 951 | QERF0JM-476ZN | E-CAPACITOR    | 47MF 20% 6.3V     |        |
| C 952 | NCB21HK-103AY | C CAPACITOR    | -0.10MF 10% 50V   |        |
| C 956 | QEK41CM-106   | E-CAPACITOR    | 10MF 20% 16V      |        |
| C 957 | QER41HM-105VM | E-CAPACITOR    | 1.0MF 20% 50V     |        |
| C 958 | NCB21HK-393AY | C CAPACITOR    | -0.39MF 10% 50V   |        |
| C 959 | NCB21HK-393AY | C CAPACITOR    | -0.39MF 10% 50V   |        |
| C 961 | QERF0JM-476ZN | E-CAPACITOR    | 47MF 20% 6.3V     |        |
| C 962 | NCB21HK-103AY | C CAPACITOR    | -0.10MF 10% 50V   |        |
| C 963 | QCS11HJ-101   | C CAPACITOR    | 100PF 5% 50V      |        |
| C 972 | QETC1EM-226ZN | E-CAPACITOR    | 22MF 20% 25V      |        |
| C 973 | QEK41CM-106   | E-CAPACITOR    | 10MF 20% 16V      |        |
| C 974 | QETC1CM-477ZN | E-CAPACITOR    | 470MF 20% 16V     |        |

BLOCK NO. 01111111

| REF.  | PARTS NO.    | PARTS NAME     | REMARKS       | SUFFIX |
|-------|--------------|----------------|---------------|--------|
| C 992 | NCB21HK-104  | C CAPACITOR    | -10MF 10% 25V |        |
| CF 1  | VCF2S3B-104Z | C FILTER       |               |        |
| CF 2  | VCF2M3B-103  | CERAMIC FILTER |               |        |
| CF 3  | CSB456F23    | CERA LOCK      |               |        |
| CF 51 | BFU450C4N    | CERAMIC FILTER |               |        |
| CJ 1  | VMCO136-002  | CONNECTOR      |               |        |
| CJ 2  | VMCO136-005  | CONNECTOR      |               |        |
| CJ 3  | VMCO136-007  | CONNECTOR      |               |        |
| CJ501 | VMCO259-002  | CONNECTOR      |               |        |
| CJ701 | VMCO232-507  | CONNECTOR      |               |        |
| CJ912 | VMCO136-007  | CONNECTOR      |               |        |
| CJ921 | VMJ4035-001  | MINI DIN JACK  |               |        |
| CN531 | VMCO198-003  | CONNECTOR      |               |        |
| CN931 | TXLP-007-B   | CONNECTOR      |               |        |
| CP 1  | VMCO135-002  | CONNECTOR      |               |        |
| CP 2  | VMCO135-005  | CONNECTOR      |               |        |
| CP 3  | VMCO135-007  | CONNECTOR      |               |        |
| CP501 | VMCO278-002  | CONNECTOR      |               |        |
| CP701 | VMCO232-607  | CONNECTOR      |               |        |
| CP911 | TXLL-005-M   | CONNECTOR      |               |        |
| CP912 | VMCO135-007  | CONNECTOR      |               |        |
| CP991 | VGZ0007-030  | FEED THROUGH   |               |        |
| D 1   | MA165        | SI DIODE       |               |        |
| D 51  | SVC321SP     | VARI CAP       |               |        |
| D 52  | SVC321SP     | VARI CAP       |               |        |
| D 53  | SVC321SP     | VARI CAP       |               |        |
| D 54  | MA165        | SI DIODE       |               |        |
| D 55  | MA165        | SI DIODE       |               |        |
| D 56  | 1SV121       | SI DIODE       |               |        |
| D 57  | 1SV121       | SI DIODE       |               |        |
| D 81  | MA165        | SI DIODE       |               |        |
| D 161 | HSM2836C     | DIODE          |               |        |
| D 261 | HSM2836C     | DIODE          |               |        |
| D 311 | HSM2838C     | DIODE          |               |        |
| D 411 | HSM2838C     | DIODE          |               |        |
| D 501 | HZS5.6EB2    | ZENER DIODE    |               |        |
| D 502 | HZS5.6EB2    | ZENER DIODE    |               |        |
| D 551 | SLR-342VCA49 | LED I/M        |               |        |
| D 552 | SLR-342VCA49 | LED I/M        |               |        |
| D 651 | HSM2838C     | DIODE          |               |        |
| D 652 | HSM2836C     | DIODE          |               |        |
| D 721 | HZS6.2EB3    | ZENER DIODE    |               |        |
| D 722 | MA165        | SI DIODE       |               |        |
| D 723 | MA165        | SI DIODE       |               |        |
| D 724 | MA165        | SI DIODE       |               |        |
| D 725 | MA165        | SI DIODE       |               |        |
| D 726 | HSM2836C     | DIODE          |               |        |
| D 731 | HZS10EB2     | ZENER DIODE    |               |        |
| D 741 | HSM2838C     | DIODE          |               |        |
| D 751 | MA165        | SI DIODE       |               |        |
| D 752 | HZS11EB2     | ZENER DIODE    |               |        |
| D 761 | MA165        | SI DIODE       |               |        |
| D 791 | DSK10C-E     | DIODE          |               |        |
| D 801 | HZS10EB2     | ZENER DIODE    |               |        |
| D 921 | HZS5.1EB2    | ZENER DIODE    |               |        |



BLOCK NO. 01

| REF.  | PARTS NO.     | PARTS NAME  | REMARKS | SUFFIX |
|-------|---------------|-------------|---------|--------|
| Q 722 | 2SA812(6)     | TRANSISTOR  |         |        |
| Q 723 | 2SC1623(6)    | TRANSISTOR  |         |        |
| Q 731 | 2SC1623(6)    | TRANSISTOR  |         |        |
| Q 732 | 2SC1623(6)    | TRANSISTOR  |         |        |
| Q 741 | 2SC1623(6)    | TRANSISTOR  |         |        |
| Q 742 | 2SC1623(6)    | TRANSISTOR  |         |        |
| Q 751 | FN1A4MX       | TRANSISTOR  |         |        |
| Q 752 | FN1A4MX       | TRANSISTOR  |         |        |
| Q 753 | FA1A4M        | TRANSISTOR  |         |        |
| Q 781 | FA1A4M        | TRANSISTOR  |         |        |
| Q 782 | FA1A4M        | TRANSISTOR  |         |        |
| Q 791 | 2SB643        | TRANSISTOR  |         |        |
| Q 792 | FA1A4M        | TRANSISTOR  |         |        |
| Q 801 | 2SD973        | TRANSISTOR  |         |        |
| Q 802 | 2SD973        | TRANSISTOR  |         |        |
| Q 803 | 2SD973        | TRANSISTOR  |         |        |
| Q 911 | FA1A4M        | TRANSISTOR  |         |        |
| Q 921 | FA1A4M        | TRANSISTOR  |         |        |
| Q 922 | FA1A4M        | TRANSISTOR  |         |        |
| Q 956 | FN1A4MX       | TRANSISTOR  |         |        |
| Q 957 | FA1A4M        | TRANSISTOR  |         |        |
| Q 958 | 2SC1623(6)    | TRANSISTOR  |         |        |
| Q 959 | 2SC1623(6)    | TRANSISTOR  |         |        |
| Q 991 | FN1A4MX       | TRANSISTOR  |         |        |
| Q 992 | 2SC1623(6)    | TRANSISTOR  |         |        |
| R 1   | NRSA02J-102NY | MG RESISTOR |         |        |
| R 2   | NRSA02J-470NY | MG RESISTOR |         |        |
| R 3   | NRSA02J-391NY | MG RESISTOR |         |        |
| R 4   | NRSA02J-203NY | MG RESISTOR |         |        |
| R 5   | NRSA02J-103NY | MG RESISTOR |         |        |
| R 6   | NRSA02J-331NY | MG RESISTOR |         |        |
| R 7   | NRSA02J-182NY | MG RESISTOR |         |        |
| R 8   | NRSA02J-221NY | MG RESISTOR |         |        |
| R 9   | NRSA02J-331NY | MG RESISTOR |         |        |
| R 10  | NRSA02J-392NY | MG RESISTOR |         |        |
| R 11  | NRSA02J-223NY | MG RESISTOR |         |        |
| R 12  | NRSA02J-123NY | MG RESISTOR |         |        |
| R 13  | NRSA02J-562NY | MG RESISTOR |         |        |
| R 14  | NRSA02J-153NY | MG RESISTOR |         |        |
| R 15  | NRSA02J-332NY | MG RESISTOR |         |        |
| R 16  | NRSA02J-562NY | MG RESISTOR |         |        |
| R 17  | NRSA02J-683NY | MG RESISTOR |         |        |
| R 18  | NRSA02J-472NY | MG RESISTOR |         |        |
| R 19  | NRSA02J-473NY | MG RESISTOR |         |        |
| R 20  | NRSA02J-682NY | MG RESISTOR |         |        |
| R 21  | NRSA02J-752NY | MG RESISTOR |         |        |
| R 23  | NRSA02J-333NY | MG RESISTOR |         |        |
| R 24  | NRSA02J-823NY | MG RESISTOR |         |        |
| R 25  | NRSA02J-273NY | MG RESISTOR |         |        |
| R 26  | NRSA02J-562NY | MG RESISTOR |         |        |
| R 27  | NRSA02J-330NY | MG RESISTOR |         |        |
| R 28  | NRSA02J-470NY | MG RESISTOR |         |        |
| R 40  | NRSA02J-153NY | MG RESISTOR |         |        |
| R 41  | NRSA02J-473NY | MG RESISTOR |         |        |
| R 42  | NRSA02J-222NY | MG RESISTOR |         |        |

BLOCK NO. 01

| REF.  | PARTS NO.       | PARTS NAME      | REMARKS    | SUFFIX |
|-------|-----------------|-----------------|------------|--------|
| D 941 | MTZ4.7C         | ZENER DIODE     |            |        |
| D 956 | MA700           | ZENER DIODE     |            |        |
| D 957 | MA700           | ZENER DIODE     |            |        |
| D 991 | DSK10C-E        | DIODE           |            |        |
| IC 1  | LA1862M         | IC              |            |        |
| IC 51 | LA1135          | IC              |            |        |
| IC141 | BA15218N        | IC              |            |        |
| IC241 | BA15218N        | IC              |            |        |
| IC701 | UPD17003AGF-652 | IC              |            |        |
| IC761 | HD74HC126P      | IC              |            |        |
| IC901 | UPC1228HA       | IC              |            |        |
| IC911 | HA2135AFT       | IC              |            |        |
| IC921 | UPD4052BC       | IC              |            |        |
| IC951 | VC4580D         | IC              |            |        |
| IC961 | VC4580D         | IC              |            |        |
| IC971 | HA13152         | IC              |            |        |
| J 1   | VMZ0015-014     | POST PIN        |            |        |
| L 1   | VQP0018-470     | INDUCTOR        |            |        |
| L 2   | VQP1002-2R2Y    | INDUCTOR        |            |        |
| L 3   | VQP17F07-504    | IFT             | FM OV ADJ. |        |
| L 4   | VQP1003-R22Y    | INDUCTOR        |            |        |
| L 52  | VQM7U01-501     | OSC COIL(MW)    |            |        |
| L 81  | VQL7U01-501     | OSC COIL(LW)    |            |        |
| L 721 | VQP0018-470     | INDUCTOR        |            |        |
| LCD 1 | VGL1154-001     | LCD             |            |        |
| PL531 | VG70001-056     | LAMP            |            |        |
| PL532 | VG70001-056     | LAMP            |            |        |
| PL551 | VG70001-055     | LAMP            |            |        |
| PL552 | VG70001-055     | LAMP            |            |        |
| Q 1   | 2SC2814(F4F5)HL | TRANSISTOR      |            |        |
| Q 41  | 2SB643          | TRANSISTOR      |            |        |
| Q 42  | FA1A4M          | TRANSISTOR      |            |        |
| Q 51  | 2SK519(EL,FL)   | TRANSISTOR(FET) |            |        |
| Q 52  | 2SC1740S(R,S)   | TRANSISTOR      |            |        |
| Q 53  | 2SA812(6)       | TRANSISTOR      |            |        |
| Q 81  | 2SC2785         | TRANSISTOR      |            |        |
| Q 82  | 2SC2785         | TRANSISTOR      |            |        |
| Q 83  | BA1A4M          | TRANSISTOR      |            |        |
| Q 84  | BA1A4M          | TRANSISTOR      |            |        |
| Q 91  | 2SA812(6)       | TRANSISTOR      |            |        |
| Q 96  | FA1A4M          | TRANSISTOR      |            |        |
| Q 97  | FA1A4M          | TRANSISTOR      |            |        |
| Q 141 | 2SK301(P,Q)     | TRANSISTOR(FET) |            |        |
| Q 156 | 2SC1623(6)      | TRANSISTOR      |            |        |
| Q 157 | 2SC1623(6)      | TRANSISTOR      |            |        |
| Q 161 | 2SC1623(6)      | TRANSISTOR      |            |        |
| Q 241 | 2SK301(P,Q)     | TRANSISTOR(FET) |            |        |
| Q 256 | 2SC1623(6)      | TRANSISTOR      |            |        |
| Q 257 | 2SC1623(6)      | TRANSISTOR      |            |        |
| Q 261 | 2SC1623(6)      | TRANSISTOR      |            |        |
| Q 351 | 2SC1623(6)      | TRANSISTOR      |            |        |
| Q 361 | 2SC1623(6)      | TRANSISTOR      |            |        |
| Q 451 | 2SC1623(6)      | TRANSISTOR      |            |        |
| Q 461 | 2SC1623(6)      | TRANSISTOR      |            |        |
| Q 721 | 2SD973          | TRANSISTOR      |            |        |

BLOCK NO. 01111111

| REF.  | PARTS NO.     | PARTS NAME      | REMARKS       | SUFFIX |
|-------|---------------|-----------------|---------------|--------|
| R 164 | QRD161J-101   | CARBON RESISTOR | 100 5% 1/10W  |        |
| R 171 | NRSA02J-473NY | MG RESISTOR     | 47K 5% 1/10W  |        |
| R 172 | NRSA02J-393NY | MG RESISTOR     | 39K 5% 1/10W  |        |
| R 173 | QRD161J-2R2   | CARBON RESISTOR | 2.2 5% 1/6W   |        |
| R 174 | QRD161J-2R2   | CARBON RESISTOR | 2.2 5% 1/6W   |        |
| R 201 | NRSA02J-334NY | MG RESISTOR     | 33K 5% 1/10W  |        |
| R 202 | NRSA02J-153NY | MG RESISTOR     | 15K 5% 1/10W  |        |
| R 203 | NRSA02J-271NY | MG RESISTOR     | 270 5% 1/10W  |        |
| R 221 | NRSA02J-223NY | MG RESISTOR     | 22K 5% 1/10W  |        |
| R 222 | NRSA02J-103NY | MG RESISTOR     | 10K 5% 1/10W  |        |
| R 223 | NRSA02J-474NY | MG RESISTOR     | 470K 5% 1/10W |        |
| R 224 | NRSA02J-223NY | MG RESISTOR     | 22K 5% 1/10W  |        |
| R 231 | NRSA02J-681NY | MG RESISTOR     | 680 5% 1/10W  |        |
| R 232 | NRSA02J-222NY | MG RESISTOR     | 2.2K 5% 1/10W |        |
| R 233 | QRD161J-122   | CARBON RESISTOR | 1.2K 5% 1/6W  |        |
| R 234 | QRD161J-392   | CARBON RESISTOR | 3.9K 5% 1/6W  |        |
| R 235 | NRSA02J-332NY | MG RESISTOR     | 3.3K 5% 1/10W |        |
| R 241 | QRD161J-682   | CARBON RESISTOR | 6.8K 5% 1/6W  |        |
| R 242 | QRD161J-332   | CARBON RESISTOR | 3.3K 5% 1/6W  |        |
| R 243 | QRD161J-104   | CARBON RESISTOR | 100K 5% 1/6W  |        |
| R 244 | QRD161J-394   | CARBON RESISTOR | 390K 5% 1/6W  |        |
| R 245 | QRD161J-681   | CARBON RESISTOR | 680 5% 1/6W   |        |
| R 246 | QRD161J-104   | CARBON RESISTOR | 100K 5% 1/6W  |        |
| R 247 | QRD161J-104   | CARBON RESISTOR | 100K 5% 1/6W  |        |
| R 251 | NRSA02J-472NY | MG RESISTOR     | 4.7K 5% 1/10W |        |
| R 252 | NRSA02J-222NY | MG RESISTOR     | 2.2K 5% 1/10W |        |
| R 253 | NRSA02J-104NY | MG RESISTOR     | 100K 5% 1/10W |        |
| R 255 | NRSA02J-472NY | MG RESISTOR     | 4.7K 5% 1/10W |        |
| R 256 | NRSA02J-271NY | MG RESISTOR     | 270 5% 1/10W  |        |
| R 257 | NRSA02J-335NY | MG RESISTOR     | 3.3M 5% 1/10W |        |
| R 258 | NRSA02J-335NY | MG RESISTOR     | 3.3M 5% 1/10W |        |
| R 259 | NRSA02J-222NY | MG RESISTOR     | 2.2K 5% 1/10W |        |
| R 261 | NRSA02J-104NY | MG RESISTOR     | 100K 5% 1/10W |        |
| R 262 | NRSA02J-222NY | MG RESISTOR     | 2.2K 5% 1/10W |        |
| R 263 | NRSA02J-102NY | MG RESISTOR     | 1.0K 5% 1/10W |        |
| R 264 | QRD161J-101   | CARBON RESISTOR | 100 5% 1/6W   |        |
| R 271 | NRSA02J-473NY | MG RESISTOR     | 47K 5% 1/10W  |        |
| R 272 | NRSA02J-393NY | MG RESISTOR     | 39K 5% 1/10W  |        |
| R 273 | QRD161J-2R2   | CARBON RESISTOR | 2.2 5% 1/6W   |        |
| R 274 | QRD161J-2R2   | CARBON RESISTOR | 2.2 5% 1/6W   |        |
| R 301 | QRD161J-273   | CARBON RESISTOR | 27K 5% 1/6W   |        |
| R 311 | NRSA02J-822NY | MG RESISTOR     | 8.2K 5% 1/10W |        |
| R 351 | NRSA02J-222NY | MG RESISTOR     | 2.2K 5% 1/10W |        |
| R 352 | NRSA02J-222NY | MG RESISTOR     | 2.2K 5% 1/10W |        |
| R 362 | NRSA02J-222NY | MG RESISTOR     | 2.2K 5% 1/10W |        |
| R 363 | NRSA02J-102NY | MG RESISTOR     | 1.0K 5% 1/10W |        |
| R 371 | NRSA02J-473NY | MG RESISTOR     | 47K 5% 1/10W  |        |
| R 372 | NRSA02J-393NY | MG RESISTOR     | 39K 5% 1/10W  |        |
| R 373 | QRD161J-2R2   | CARBON RESISTOR | 2.2 5% 1/6W   |        |
| R 374 | QRD161J-2R2   | CARBON RESISTOR | 2.2 5% 1/6W   |        |
| R 401 | QRD161J-273   | CARBON RESISTOR | 27K 5% 1/6W   |        |
| R 411 | NRSA02J-822NY | MG RESISTOR     | 8.2K 5% 1/10W |        |
| R 451 | NRSA02J-222NY | MG RESISTOR     | 2.2K 5% 1/10W |        |
| R 452 | NRSA02J-222NY | MG RESISTOR     | 2.2K 5% 1/10W |        |
| R 462 | NRSA02J-222NY | MG RESISTOR     | 2.2K 5% 1/10W |        |

BLOCK NO. 01111111

| REF.  | PARTS NO.     | PARTS NAME      | REMARKS       | SUFFIX |
|-------|---------------|-----------------|---------------|--------|
| R 51  | NRSA02J-104NY | MG RESISTOR     | 100K 5% 1/10W |        |
| R 52  | NRSA02J-104NY | MG RESISTOR     | 1.0K 5% 1/10W |        |
| R 54  | NRSA02J-104NY | MG RESISTOR     | 100K 5% 1/10W |        |
| R 55  | NRSA02J-104NY | MG RESISTOR     | 100K 5% 1/10W |        |
| R 56  | NRSA02J-104NY | MG RESISTOR     | 100K 5% 1/10W |        |
| R 57  | NRSA02J-330NY | MG RESISTOR     | 33 5% 1/10W   |        |
| R 58  | NRSA02J-223NY | MG RESISTOR     | 22K 5% 1/10W  |        |
| R 59  | NRSA02J-102NY | MG RESISTOR     | 1.0K 5% 1/10W |        |
| R 60  | NRSA02J-103NY | MG RESISTOR     | 10K 5% 1/10W  |        |
| R 61  | NRSA02J-820NY | MG RESISTOR     | 82 5% 1/10W   |        |
| R 62  | NRSA02J-332NY | MG RESISTOR     | 3.3K 5% 1/10W |        |
| R 63  | NRSA02J-273NY | MG RESISTOR     | 27K 5% 1/10W  |        |
| R 64  | NRSA02J-473NY | MG RESISTOR     | 47K 5% 1/10W  |        |
| R 65  | NRSA02J-102NY | MG RESISTOR     | 1.0K 5% 1/10W |        |
| R 66  | NRSA02J-153NY | MG RESISTOR     | 15K 5% 1/10W  |        |
| R 67  | NRSA02J-330NY | MG RESISTOR     | 33 5% 1/10W   |        |
| R 68  | NRSA02J-102NY | MG RESISTOR     | 1.0K 5% 1/10W |        |
| R 69  | NRSA02J-ORONY | MG RESISTOR     | 5% 1/10W      |        |
| R 81  | NRSA02J-332NY | MG RESISTOR     | 3.3K 5% 1/10W |        |
| R 82  | NRSA02J-682NY | MG RESISTOR     | 6.8K 5% 1/10W |        |
| R 83  | NRSA02J-222NY | MG RESISTOR     | 2.2K 5% 1/10W |        |
| R 84  | NRSA02J-222NY | MG RESISTOR     | 2.2K 5% 1/10W |        |
| R 91  | NRSA02J-222NY | MG RESISTOR     | 2.2K 5% 1/10W |        |
| R 96  | NRSA02J-102NY | MG RESISTOR     | 1.0K 5% 1/10W |        |
| R 97  | NRSA02J-222NY | MG RESISTOR     | 2.2K 5% 1/10W |        |
| R 101 | NRSA02J-334NY | MG RESISTOR     | 330K 5% 1/10W |        |
| R 102 | NRSA02J-153NY | MG RESISTOR     | 15K 5% 1/10W  |        |
| R 103 | NRSA02J-271NY | MG RESISTOR     | 270 5% 1/10W  |        |
| R 121 | NRSA02J-223NY | MG RESISTOR     | 22K 5% 1/10W  |        |
| R 122 | NRSA02J-103NY | MG RESISTOR     | 10K 5% 1/10W  |        |
| R 123 | NRSA02J-474NY | MG RESISTOR     | 470K 5% 1/10W |        |
| R 124 | NRSA02J-223NY | MG RESISTOR     | 22K 5% 1/10W  |        |
| R 131 | QRD161J-681   | CARBON RESISTOR | 680 5% 1/6W   |        |
| R 132 | QRD161J-222   | CARBON RESISTOR | 2.2K 5% 1/6W  |        |
| R 133 | QRD161J-122   | CARBON RESISTOR | 1.2K 5% 1/6W  |        |
| R 134 | QRD161J-394   | CARBON RESISTOR | 3.9K 5% 1/6W  |        |
| R 135 | NRSA02J-332NY | MG RESISTOR     | 3.3K 5% 1/10W |        |
| R 141 | QRD161J-682   | CARBON RESISTOR | 6.8K 5% 1/6W  |        |
| R 142 | NRSA02J-332NY | MG RESISTOR     | 3.3K 5% 1/10W |        |
| R 143 | NRSA02J-104NY | MG RESISTOR     | 100K 5% 1/10W |        |
| R 144 | QRD161J-394   | CARBON RESISTOR | 390K 5% 1/6W  |        |
| R 145 | QRD161J-681   | CARBON RESISTOR | 680 5% 1/6W   |        |
| R 146 | QRD161J-104   | CARBON RESISTOR | 100K 5% 1/6W  |        |
| R 147 | QRD161J-104   | CARBON RESISTOR | 100K 5% 1/6W  |        |
| R 151 | NRSA02J-472NY | MG RESISTOR     | 4.7K 5% 1/10W |        |
| R 152 | NRSA02J-222NY | MG RESISTOR     | 2.2K 5% 1/10W |        |
| R 153 | NRSA02J-104NY | MG RESISTOR     | 100K 5% 1/10W |        |
| R 155 | NRSA02J-472NY | MG RESISTOR     | 4.7K 5% 1/10W |        |
| R 156 | NRSA02J-271NY | MG RESISTOR     | 270 5% 1/10W  |        |
| R 157 | NRSA02J-335NY | MG RESISTOR     | 3.3M 5% 1/10W |        |
| R 158 | NRSA02J-335NY | MG RESISTOR     | 3.3M 5% 1/10W |        |
| R 159 | NRSA02J-222NY | MG RESISTOR     | 2.2K 5% 1/10W |        |
| R 161 | NRSA02J-104NY | MG RESISTOR     | 100K 5% 1/10W |        |
| R 162 | NRSA02J-222NY | MG RESISTOR     | 2.2K 5% 1/10W |        |
| R 163 | NRSA02J-102NY | MG RESISTOR     | 1.0K 5% 1/10W |        |

BLOCK NO. 01111111

| REF.  | PARTS NO.     | PARTS NAME      | REMARKS       | SUFFIX |
|-------|---------------|-----------------|---------------|--------|
| R 463 | NRSA02J-102NY | MG RESISTOR     | 1.0K 5% 1/10W |        |
| R 471 | NRSA02J-473NY | MG RESISTOR     | 47K 5% 1/10W  |        |
| R 472 | NRSA02J-393NY | MG RESISTOR     | 39K 5% 1/10W  |        |
| R 473 | QRD161J-2R2   | CARBON RESISTOR | 2.2 5% 1/6W   |        |
| R 474 | QRD161J-2R2   | CARBON RESISTOR | 2.2 5% 1/6W   |        |
| R 501 | QRD161J-182   | CARBON RESISTOR | 1.8K 5% 1/6W  |        |
| R 502 | QRD161J-182   | CARBON RESISTOR | 1.8K 5% 1/6W  |        |
| R 503 | NRSA02J-271NY | MG RESISTOR     | 270 5% 1/10W  |        |
| R 504 | NRSA02J-271NY | MG RESISTOR     | 270 5% 1/10W  |        |
| R 505 | NRSA02J-472NY | MG RESISTOR     | 4.7K 5% 1/10W |        |
| R 551 | NRSA02J-681NY | MG RESISTOR     | 680 5% 1/10W  |        |
| R 552 | NRSA02J-102NY | MG RESISTOR     | 1.0K 5% 1/10W |        |
| R 553 | NRSA02J-152NY | MG RESISTOR     | 1.5K 5% 1/10W |        |
| R 554 | NRSA02J-222NY | MG RESISTOR     | 2.2K 5% 1/10W |        |
| R 555 | NRSA02J-392NY | MG RESISTOR     | 3.9K 5% 1/10W |        |
| R 556 | NRSA02J-681NY | MG RESISTOR     | 680 5% 1/10W  |        |
| R 557 | NRSA02J-102NY | MG RESISTOR     | 1.0K 5% 1/10W |        |
| R 558 | NRSA02J-152NY | MG RESISTOR     | 1.5K 5% 1/10W |        |
| R 559 | NRSA02J-222NY | MG RESISTOR     | 2.2K 5% 1/10W |        |
| R 560 | NRSA02J-392NY | MG RESISTOR     | 3.9K 5% 1/10W |        |
| R 701 | NRSA02J-ORONY | MG RESISTOR     | 5% 1/10W      |        |
| R 702 | NRSA02J-ORONY | MG RESISTOR     | 5% 1/10W      |        |
| R 703 | NRSA02J-332NY | MG RESISTOR     | 3.3K 5% 1/10W |        |
| R 704 | NRSA02J-473NY | MG RESISTOR     | 47K 5% 1/10W  |        |
| R 705 | NRSA02J-473NY | MG RESISTOR     | 47K 5% 1/10W  |        |
| R 706 | NRSA02J-473NY | MG RESISTOR     | 47K 5% 1/10W  |        |
| R 708 | NRSA02J-472NY | MG RESISTOR     | 4.7K 5% 1/10W |        |
| R 709 | NRSA02J-472NY | MG RESISTOR     | 4.7K 5% 1/10W |        |
| R 710 | NRSA02J-223NY | MG RESISTOR     | 22K 5% 1/10W  |        |
| R 711 | NRSA02J-223NY | MG RESISTOR     | 22K 5% 1/10W  |        |
| R 712 | QRD161J-103   | CARBON RESISTOR | 10K 5% 1/6W   |        |
| R 713 | NRSA02J-223NY | MG RESISTOR     | 22K 5% 1/10W  |        |
| R 714 | NRSA02J-102NY | MG RESISTOR     | 1.0K 5% 1/6W  |        |
| R 721 | QRD161J-101   | CARBON RESISTOR | 100 5% 1/6W   |        |
| R 722 | NRSA02J-271NY | MG RESISTOR     | 270 5% 1/10W  |        |
| R 723 | NRSA02J-102NY | MG RESISTOR     | 1.0K 5% 1/10W |        |
| R 724 | NRSA02J-103NY | MG RESISTOR     | 10K 5% 1/10W  |        |
| R 725 | NRSA02J-223NY | MG RESISTOR     | 22K 5% 1/10W  |        |
| R 726 | NRSA02J-332NY | MG RESISTOR     | 3.3K 5% 1/10W |        |
| R 731 | NRSA02J-152NY | MG RESISTOR     | 1.5K 5% 1/10W |        |
| R 732 | NRSA02J-103NY | MG RESISTOR     | 10K 5% 1/10W  |        |
| R 733 | NRSA02J-103NY | MG RESISTOR     | 10K 5% 1/10W  |        |
| R 734 | NRSA02J-471NY | MG RESISTOR     | 470 5% 1/10W  |        |
| R 735 | NRSA02J-331NY | MG RESISTOR     | 330 5% 1/10W  |        |
| R 736 | NRSA02J-332NY | MG RESISTOR     | 3.3K 5% 1/10W |        |
| R 737 | NRSA02J-471NY | MG RESISTOR     | 470 5% 1/10W  |        |
| R 741 | QRD161J-124   | CARBON RESISTOR | 120K 5% 1/6W  |        |
| R 742 | NRSA02J-103NY | MG RESISTOR     | 10K 5% 1/10W  |        |
| R 743 | NRSA02J-473NY | MG RESISTOR     | 47K 5% 1/10W  |        |
| R 744 | NRSA02J-223NY | MG RESISTOR     | 22K 5% 1/10W  |        |
| R 745 | NRSA02J-224NY | MG RESISTOR     | 220K 5% 1/10W |        |
| R 747 | NRSA02J-ORONY | MG RESISTOR     | 5% 1/10W      |        |
| R 748 | NRSA02J-ORONY | MG RESISTOR     | 5% 1/10W      |        |
| R 751 | NRSA02J-332NY | MG RESISTOR     | 3.3K 5% 1/10W |        |
| R 761 | NRSA02J-472NY | MG RESISTOR     | 4.7K 5% 1/10W |        |

BLOCK NO. 01111111

| REF.  | PARTS NO.     | PARTS NAME      | REMARKS       | SUFFIX |
|-------|---------------|-----------------|---------------|--------|
| R 762 | NRSA02J-473NY | MG RESISTOR     | 47K 5% 1/10W  |        |
| R 763 | NRSA02J-473NY | MG RESISTOR     | 47K 5% 1/10W  |        |
| R 764 | NRSA02J-223NY | MG RESISTOR     | 22K 5% 1/10W  |        |
| R 765 | QRD161J-101   | CARBON RESISTOR | 100 5% 1/6W   |        |
| R 766 | NRSA02J-334NY | MG RESISTOR     | 330K 5% 1/10W |        |
| R 767 | NRSA02J-103NY | MG RESISTOR     | 10K 5% 1/10W  |        |
| R 768 | QRD161J-101   | CARBON RESISTOR | 100 5% 1/6W   |        |
| R 769 | QRD161J-101   | CARBON RESISTOR | 100 5% 1/6W   |        |
| R 770 | NRSA02J-473NY | MG RESISTOR     | 47K 5% 1/10W  |        |
| R 771 | NRSA02J-334NY | MG RESISTOR     | 330K 5% 1/10W |        |
| R 772 | NRSA02J-102NY | MG RESISTOR     | 1.0K 5% 1/10W |        |
| R 773 | NRSA02J-472NY | MG RESISTOR     | 4.7K 5% 1/10W |        |
| R 774 | QRD161J-102   | CARBON RESISTOR | 1.0K 5% 1/6W  |        |
| R 775 | NRSA02J-102NY | MG RESISTOR     | 1.0K 5% 1/10W |        |
| R 791 | NRSA02J-103NY | MG RESISTOR     | 10K 5% 1/10W  |        |
| R 792 | NRSA02J-102NY | MG RESISTOR     | 1.0K 5% 1/10W |        |
| R 801 | NRSA02J-222NY | CARBON RESISTOR | 2.2K 5% 1/10W |        |
| R 802 | QRD161J-2R2   | CARBON RESISTOR | 2.2 5% 1/6W   |        |
| R 803 | QRD161J-2R2   | CARBON RESISTOR | 2.2 5% 1/6W   |        |
| R 901 | NRS181J-101NY | MG RESISTOR     | 100 5% 1/8W   |        |
| R 911 | NRSA02J-183NY | MG RESISTOR     | 18K 5% 1/10W  |        |
| R 912 | NRSA02J-223NY | MG RESISTOR     | 22K 5% 1/10W  |        |
| R 913 | NRSA02J-223NY | MG RESISTOR     | 22K 5% 1/10W  |        |
| R 921 | NRSA02J-103NY | MG RESISTOR     | 10K 5% 1/10W  |        |
| R 922 | NRSA02J-102NY | MG RESISTOR     | 1.0K 5% 1/10W |        |
| R 923 | NRSA02J-100NY | MG RESISTOR     | 10 5% 1/10W   |        |
| R 924 | NRSA02J-103NY | MG RESISTOR     | 10K 5% 1/10W  |        |
| R 935 | NRSA02J-ORONY | MG RESISTOR     | 5% 1/10W      |        |
| R 941 | QRD161J-102   | CARBON RESISTOR | 1.0K 5% 1/6W  |        |
| R 942 | QRD161J-220   | CARBON RESISTOR | 22 5% 1/6W    |        |
| R 951 | QRD167J-682   | CARBON RESISTOR | 6.8K 5% 1/6W  |        |
| R 952 | QRD167J-682   | CARBON RESISTOR | 6.8K 5% 1/6W  |        |
| R 953 | NRSA02J-103NY | MG RESISTOR     | 10K 5% 1/10W  |        |
| R 954 | NRSA02J-104NY | MG RESISTOR     | 100K 5% 1/10W |        |
| R 955 | NRSA02J-332NY | MG RESISTOR     | 3.3K 5% 1/10W |        |
| R 956 | NRSA02J-104NY | MG RESISTOR     | 100K 5% 1/10W |        |
| R 957 | QRD161J-184   | CARBON RESISTOR | 180K 5% 1/6W  |        |
| R 958 | NRSA02J-182NY | MG RESISTOR     | 1.8K 5% 1/10W |        |
| R 959 | QRD161J-561   | CARBON RESISTOR | 560 5% 1/6W   |        |
| R 960 | QRD161J-475   | CARBON RESISTOR | 4.7M 5% 1/6W  |        |
| R 961 | NRSA02J-682NY | MG RESISTOR     | 6.8K 5% 1/10W |        |
| R 962 | QRD167J-682   | CARBON RESISTOR | 6.8K 5% 1/6W  |        |
| R 971 | NRSA02J-473NY | MG RESISTOR     | 47K 5% 1/10W  |        |
| R 972 | NRSA02J-473NY | MG RESISTOR     | 47K 5% 1/10W  |        |
| R 991 | NRSA02J-222NY | MG RESISTOR     | 2.2K 5% 1/10W |        |
| R 992 | NRSA02J-473NY | MG RESISTOR     | 47K 5% 1/10W  |        |
| RY991 | VSK1D12-118   | RELAY           |               |        |
| S 551 | QS01B11-V01Z  | TACT SWITCH     | 6/MAG.+       |        |
| S 552 | QS01B11-V01Z  | TACT SWITCH     | 5/MAG.-       |        |
| S 553 | QS01B11-V01Z  | TACT SWITCH     | 4/RANDOM      |        |
| S 554 | QS01B11-V01Z  | TACT SWITCH     | 3/DOLBY       |        |
| S 555 | QS01B11-V01Z  | TACT SWITCH     | BAND/CLOCK    |        |
| S 556 | QS01B11-V01Z  | TACT SWITCH     | 2/MONO        |        |
| S 557 | QS01B11-V01Z  | TACT SWITCH     | UP/SKIP+      |        |
| S 558 | QS01B11-V01Z  | TACT SWITCH     | MODE          |        |

BLOCK NO. 01

| REF.  | PARTS NO.     | PARTS NAME      | REMARKS        | SUFFIX |
|-------|---------------|-----------------|----------------|--------|
| S 559 | QS01B11-V01Z  | TACT SWITCH     | HBS/SK.DK      |        |
| S 560 | QS01B11-V01Z  | TACT SWITCH     | FUNCTION       |        |
| S 561 | QS01B11-V01Z  | TACT SWITCH     | 1/P-SCAN       |        |
| S 562 | QS01B11-V01Z  | TACT SWITCH     | DOWN/SKIP-     |        |
| T 51  | VRZ0040-001   | AM RF           |                |        |
| T 52  | VQZ0040-101   | AM RF           |                |        |
| T 53  | VQI7A21-105   | IFT             |                |        |
| T 54  | VQI7A11-209   | IFT             |                |        |
| T 81  | VQZ0056-001   | LW RF COIL      |                |        |
| T 82  | VQZ0056-001   | LW RF COIL      |                |        |
| TC 51 | QAT3722-200ZM | T.CAPACITOR     |                |        |
| TC 81 | QAT3722-600ZM | T.CAPACITOR     |                |        |
| TP 1  | VMC0075-002N  | CONNECTOR       | FMOV T.POINT   |        |
| TP911 | VMC0075-002N  | CONNECTOR       |                |        |
| TU 1  | VAF2S07-402   | FM FRONT END    |                |        |
| VR 1  | QVPA603-333A  | SEMI.V.RESISTOR | SEPARATION ADJ |        |
| VR 3  | QVPA603-223A  | SEMI.V.RESISTOR | BLEND ADJ.     |        |
| VR111 | QVPA603-223A  | SEMI.V.RESISTOR | DOLBY LEVL-ADJ |        |
| VR211 | QVPA603-223A  | SEMI.V.RESISTOR | DOLBY LEVE-ADJ |        |
| VR741 | QVPA601-503A  | V.RESISTOR      | STDP SENS.ADJ  |        |
| VR931 | VCV1001-152   | V RESISTOR      | BASS/TREBLE    |        |
| VR932 | VCV1001-153   | V RESISTOR      | BALANCE        |        |
| VR935 | VCV1001-154   | V RESISTOR      | VOLUME         |        |
| X 701 | VCK4001-005   | CRYSTAL         |                |        |



BLOCK NO. 02

BLOCK NO. 02

● Main P.C. Board (KS-RT60 G/GE)

| A. REF. | PARTS NO.     | PARTS NAME      | REMARKS         | SUFFIX |
|---------|---------------|-----------------|-----------------|--------|
| C 75    | QER41CM-476M  | E.CAPACITOR     | 4.7MF 20% 16V   |        |
| C 76    | NCB21HK-473AY | C. CAPACITOR    | -0.47MF 10% 25V |        |
| C 77    | NCB21HK-103AY | C. CAPACITOR    | -0.10MF 10% 50V |        |
| C 78    | NCB21HK-473AY | C. CAPACITOR    | -0.47MF 10% 25V |        |
| C 81    | NCT21CH-271AY | C. CAPACITOR    | 270PF +50% -10% |        |
| C 82    | NCS21HJ-120AY | C. CAPACITOR    | 12PF 5% 50V     |        |
| C 83    | NCS21HJ-120AY | C. CAPACITOR    | 12PF 5% 50V     |        |
| C 101   | QEK41HM-474   | E.CAPACITOR     | -4.7MF 20% 50V  |        |
| C 102   | NCS21HJ-101AY | C. CAPACITOR    | 100PF 5% 50V    |        |
| C 103   | QEV71HJ-103   | FILM CAPACITOR  | -0.10MF 5% 50V  |        |
| C 104   | NCB21HK-681AY | C. CAPACITOR    | 680PF 10% 50V   |        |
| C 105   | QEK41CM-226   | E.CAPACITOR     | 22MF 20% 16V    |        |
| C 111   | QEK41HM-105   | E.CAPACITOR     | 1.0MF 20% 50V   |        |
| C 112   | QEV41HJ-224   | FILM CAPACITOR  | -22MF 5% 50V    |        |
| C 121   | QER41EM-475VM | E.CAPACITOR     | 4.7MF 20% 25V   |        |
| C 122   | QER41EM-475VM | E.CAPACITOR     | 4.7MF 20% 25V   |        |
| C 131   | QCC11EM-104V  | C.CAPACITOR     | -1.0MF 20% 25V  |        |
| C 132   | NEF11EM-474RY | TS.E. CAPACITOR | -4.7MF 20% 25V  |        |
| C 133   | QCC11EM-104V  | C.CAPACITOR     | -1.0MF 20% 25V  |        |
| C 134   | QCC11EM-223V  | C.CAPACITOR     | -0.22MF 20% 25V |        |
| C 141   | QCVB1CM-103Y  | C.CAPACITOR     | -0.10MF 20% 16V |        |
| C 142   | QEK41HM-105   | E.CAPACITOR     | 1.0MF 20% 50V   |        |
| C 143   | QEK41HM-224   | E.CAPACITOR     | -22MF 20% 50V   |        |
| C 144   | QEK41EM-475   | E.CAPACITOR     | 4.7MF 20% 25V   |        |
| C 147   | QCS11HJ-470   | C.CAPACITOR     | 47PF 5% 50V     |        |
| C 151   | QEK41HM-105   | E.CAPACITOR     | 1.0MF 20% 50V   |        |
| C 152   | QER41HM-224VS | E.CAPACITOR     | -22MF 20% 50V   |        |
| C 161   | QER41HM-224VS | E.CAPACITOR     | -22MF 20% 50V   |        |
| C 162   | QEK41CM-106   | E.CAPACITOR     | 10MF 20% 16V    |        |
| C 171   | NCT21CH-471AY | C. CAPACITOR    | 470PF +50% -10% |        |
| C 172   | QEV41HJ-104   | FILM CAPACITOR  | -1.0MF 5% 50V   |        |
| C 173   | QEV41HJ-104   | FILM CAPACITOR  | -1.0MF 5% 50V   |        |
| C 201   | QEK41HM-474   | E.CAPACITOR     | -4.7MF 20% 50V  |        |
| C 202   | NCS21HJ-101AY | C. CAPACITOR    | 100PF 5% 50V    |        |
| C 203   | QEV71HJ-103   | FILM CAPACITOR  | -0.10MF 5% 50V  |        |
| C 204   | NCB21HK-681AY | C. CAPACITOR    | 680PF 10% 50V   |        |
| C 205   | QEK41CM-226   | E.CAPACITOR     | 22MF 20% 16V    |        |
| C 211   | QEK41HM-105   | E.CAPACITOR     | 1.0MF 20% 50V   |        |
| C 212   | QEV41HJ-224   | FILM CAPACITOR  | -22MF 5% 50V    |        |
| C 221   | QER41EM-475VM | E.CAPACITOR     | 4.7MF 20% 25V   |        |
| C 231   | QCC11EM-104V  | C.CAPACITOR     | -1.0MF 20% 25V  |        |
| C 232   | QEK41HM-474   | E.CAPACITOR     | -4.7MF 20% 50V  |        |
| C 233   | QCC11EM-104V  | C.CAPACITOR     | -1.0MF 20% 25V  |        |
| C 234   | QCC11EM-223V  | C.CAPACITOR     | -0.22MF 20% 25V |        |
| C 241   | QCVB1CM-103Y  | C.CAPACITOR     | -0.10MF 20% 16V |        |
| C 242   | QEK41HM-105   | E.CAPACITOR     | 1.0MF 20% 50V   |        |
| C 243   | NEF11EM-224RY | TS.E. CAPACITOR | -22MF 20% 35V   |        |
| C 244   | QEK41EM-475   | E.CAPACITOR     | 4.7MF 20% 25V   |        |
| C 247   | QCS11HJ-470   | C.CAPACITOR     | 47PF 5% 50V     |        |
| C 251   | QEK41HM-105   | E.CAPACITOR     | 1.0MF 20% 50V   |        |
| C 252   | QER41HM-224VS | E.CAPACITOR     | -22MF 20% 50V   |        |
| C 261   | QER41HM-224VS | E.CAPACITOR     | -22MF 20% 50V   |        |
| C 262   | QEK41CM-106   | E.CAPACITOR     | 10MF 20% 16V    |        |
| C 271   | NCT21CH-471AY | C. CAPACITOR    | 470PF +50% -10% |        |

| A. REF. | PARTS NO.     | PARTS NAME   | REMARKS          | SUFFIX |
|---------|---------------|--------------|------------------|--------|
| C 1     | NCB21HK-223AY | C. CAPACITOR | -0.22MF 10% 25V  |        |
| C 2     | QEK41HM-104   | E. CAPACITOR | -1.0MF 20% 50V   |        |
| C 4     | NCB21HK-223AY | C. CAPACITOR | -0.22MF 10% 25V  |        |
| C 5     | NCB21HK-473AY | C. CAPACITOR | -0.47MF 10% 25V  |        |
| C 6     | NCB21HK-473AY | C. CAPACITOR | -0.47MF 10% 25V  |        |
| C 7     | NCB21HK-223AY | C. CAPACITOR | -0.22MF 10% 25V  |        |
| C 8     | QEK41HM-105   | E. CAPACITOR | 1.0MF 20% 50V    |        |
| C 9     | QEK41HM-105   | E. CAPACITOR | 1.0MF 20% 50V    |        |
| C 10    | NCB21HK-102AY | C. CAPACITOR | 100PF 10% 50V    |        |
| C 11    | QEK41CM-106   | E. CAPACITOR | 10MF 20% 16V     |        |
| C 12    | NCT21CH-120AY | C. CAPACITOR | 12PF +50% -10% 1 |        |
| C 13    | QEK41CM-106   | E. CAPACITOR | 10MF 20% 16V     |        |
| C 14    | NCB21HK-222AY | C. CAPACITOR | 2200PF 10% 50V   |        |
| C 15    | QCV81HK-223Y  | E. CAPACITOR | -0.22MF 10% 50V  |        |
| C 16    | QEK41HM-105   | E. CAPACITOR | 1.0MF 20% 50V    |        |
| C 17    | QEK41HM-224   | E. CAPACITOR | -22MF 20% 50V    |        |
| C 18    | QEK41HM-105   | E. CAPACITOR | 1.0MF 20% 50V    |        |
| C 19    | NCB21HK-473AY | C. CAPACITOR | -0.47MF 10% 25V  |        |
| C 20    | NCB21HK-223AY | C. CAPACITOR | -0.22MF 10% 25V  |        |
| C 21    | QEK41HM-224   | E. CAPACITOR | -22MF 20% 50V    |        |
| C 22    | NCB21HK-103AY | C. CAPACITOR | -0.10MF 10% 50V  |        |
| C 23    | QEK41CM-226   | E. CAPACITOR | 22MF 20% 16V     |        |
| C 24    | QEK41CM-476   | E. CAPACITOR | 47MF 20% 16V     |        |
| C 25    | NCS21HJ-681AY | C. CAPACITOR | 680PF 5% 50V     |        |
| C 26    | NCB21HK-682AY | C. CAPACITOR | 6800PF 10% 50V   |        |
| C 27    | NCB21HK-222AY | C. CAPACITOR | 2200PF 10% 50V   |        |
| C 28    | NCB21HK-332AY | C. CAPACITOR | 3300PF 10% 50V   |        |
| C 29    | NCB21HK-223AY | C. CAPACITOR | -0.22MF 10% 25V  |        |
| C 30    | QEK41HM-105   | E. CAPACITOR | 1.0MF 20% 50V    |        |
| C 31    | NCB21HK-473AY | C. CAPACITOR | -0.47MF 10% 25V  |        |
| C 40    | NCB21HK-183AY | C. CAPACITOR | -0.18MF 10% 50V  |        |
| C 41    | NCT21CH-101AY | C. CAPACITOR | 100PF +50% -10%  |        |
| C 51    | NCS21HJ-821AY | C. CAPACITOR | 820PF 5% 50V     |        |
| C 52    | NCT21CH-220AY | C. CAPACITOR | 22PF +50% -10% 1 |        |
| C 53    | QEK41CM-226   | E. CAPACITOR | 22MF 20% 16V     |        |
| C 54    | NCB21HK-103AY | C. CAPACITOR | -0.10MF 10% 50V  |        |
| C 55    | NCB21HK-223AY | C. CAPACITOR | -0.22MF 10% 25V  |        |
| C 56    | NCB21HK-223AY | C. CAPACITOR | -0.22MF 10% 25V  |        |
| C 57    | NCS21HJ-100AY | C. CAPACITOR | 10PF 50V         |        |
| C 58    | NCS21HJ-100AY | C. CAPACITOR | 10PF 50V         |        |
| C 59    | NCB21HK-223AY | C. CAPACITOR | -0.22MF 10% 25V  |        |
| C 60    | NCB21HK-103AY | C. CAPACITOR | -0.10MF 10% 50V  |        |
| C 61    | NCT21CH-431AY | C. CAPACITOR | 430PF +50% -10%  |        |
| C 62    | NCB21HK-473AY | C. CAPACITOR | -0.47MF 10% 25V  |        |
| C 63    | NCB21HK-103AY | C. CAPACITOR | -0.10MF 10% 50V  |        |
| C 64    | NCB21HK-223AY | C. CAPACITOR | -0.22MF 10% 25V  |        |
| C 65    | QER41HM-105VM | E. CAPACITOR | 1.0MF 20% 50V    |        |
| C 66    | NCB21HK-103AY | C. CAPACITOR | -0.10MF 10% 50V  |        |
| C 67    | NCB21HK-103AY | C. CAPACITOR | -0.10MF 10% 50V  |        |
| C 68    | QER41HK-103AY | E. CAPACITOR | -0.10MF 10% 50V  |        |
| C 69    | QER41CM-226VM | E. CAPACITOR | 22MF 20% 16V     |        |
| C 70    | QER41HM-105VM | E. CAPACITOR | 1.0MF 20% 50V    |        |
| C 71    | NCB21HK-103AY | C. CAPACITOR | -0.10MF 10% 50V  |        |
| C 72    | NCB21HK-103AY | C. CAPACITOR | -0.10MF 10% 50V  |        |
| C 74    | NCB21EK-683AY | C. CAPACITOR | -0.68MF 10% 25V  |        |

BLOCK NO. 02

| A | REF.  | PARTS NO.     | PARTS NAME     | REMARKS        | SUFFIX |
|---|-------|---------------|----------------|----------------|--------|
|   | C 921 | QER41CM-106   | E-CAPACITOR    | 10MF 20% 16V   |        |
|   | C 922 | NCB21HK-104   | C CAPACITOR    | .10MF 10% 25V  |        |
|   | C 941 | QEK41CM-476   | E-CAPACITOR    | 47MF 20% 16V   |        |
|   | C 942 | QEK41CM-476   | E-CAPACITOR    | 47MF 20% 16V   |        |
|   | C 951 | QERF0JM-476ZN | E-CAPACITOR    | 47MF 20% 6.3V  |        |
|   | C 952 | NCB21HK-103AY | C CAPACITOR    | .010MF 10% 50V |        |
|   | C 956 | QEK41CM-106   | E-CAPACITOR    | 10MF 20% 16V   |        |
|   | C 957 | QER41HM-105VM | E-CAPACITOR    | 1.0MF 20% 50V  |        |
|   | C 958 | NCB21HK-393AY | C CAPACITOR    | .039MF 10% 50V |        |
|   | C 959 | NCB21HK-393AY | C CAPACITOR    | .039MF 10% 50V |        |
|   | C 961 | QERF0JM-476ZN | E-CAPACITOR    | 47MF 20% 6.3V  |        |
|   | C 962 | NCB21HK-103AY | C CAPACITOR    | .010MF 10% 50V |        |
|   | C 963 | 8CS11HJ-101   | C-CAPACITOR    | 100PF 5% 50V   |        |
|   | C 972 | QETCIEM-226ZN | E-CAPACITOR    | 22MF 20% 25V   |        |
|   | C 973 | QEK41CM-106   | E-CAPACITOR    | 10MF 20% 16V   |        |
|   | C 992 | QETCIEM-477ZN | E-CAPACITOR    | 470MF 20% 16V  |        |
|   | CF 1  | NCB21HK-104   | C CAPACITOR    | .10MF 10% 25V  |        |
|   | CF 2  | VCF2M3B-104Z  | C FILTER       |                |        |
|   | CF 3  | CSB456F23     | CERAMIC FILTER |                |        |
|   | CF 51 | BFU450C4N     | CERAMIC FILTER |                |        |
|   | CF601 | CSB456F15     | CERA LOCK      |                |        |
|   | CJ 1  | VMC0136-002   | CONNECTOR      |                |        |
|   | CJ 2  | VMC0136-005   | CONNECTOR      |                |        |
|   | CJ 3  | VMC0136-007   | CONNECTOR      |                |        |
|   | CJ501 | VMC0259-002   | CONNECTOR      |                |        |
|   | CJ701 | VMC0232-507   | CONNECTOR      |                |        |
|   | CJ912 | VMC0136-007   | CONNECTOR      |                |        |
|   | CJ921 | VMJ4035-001   | MINI DIN JACK  |                |        |
|   | CN531 | VMC0198-003   | CONNECTOR      |                |        |
|   | CN931 | TXLP-007-R    | CONNECTOR      |                |        |
|   | CP 1  | VMC0135-002   | CONNECTOR      |                |        |
|   | CP 2  | VMC0135-005   | CONNECTOR      |                |        |
|   | CP 3  | VMC0135-007   | CONNECTOR      |                |        |
|   | CP501 | VMC0278-002   | CONNECTOR      |                |        |
|   | CP701 | VMC0232-807   | CONNECTOR      |                |        |
|   | CP911 | TXLL-005-M    | CONNECTOR      |                |        |
|   | CP912 | VMC0135-007   | CONNECTOR      |                |        |
|   | CP991 | VGZ0007-030   | FEED THROUGH   |                |        |
|   | D 1   | MA165         | SI DIODE       |                |        |
|   | D 51  | SVC321SP      | VARI CAP       |                |        |
|   | D 52  | SVC321SP      | VARI CAP       |                |        |
|   | D 53  | SVC321SP      | VARI CAP       |                |        |
|   | D 54  | MA165         | SI DIODE       |                |        |
|   | D 55  | MA165         | SI DIODE       |                |        |
|   | D 56  | 1SV121        | SI DIODE       |                |        |
|   | D 57  | 1SV121        | SI DIODE       |                |        |
|   | D 81  | MA165         | SI DIODE       |                |        |
|   | D 161 | HSM2836C      | DIODE          |                |        |
|   | D 261 | HSM2836C      | DIODE          |                |        |
|   | D 311 | HSM2838C      | DIODE          |                |        |
|   | D 411 | HSM2838C      | DIODE          |                |        |
|   | D 501 | HZS5-6EB2     | ZENER DIODE    |                |        |
|   | D 502 | HZS5-6EB2     | ZENER DIODE    |                |        |
|   | D 551 | SLR-342VCA49  | LED I/M        | MODE           |        |

BLOCK NO. 02

| A | REF.  | PARTS NO.     | PARTS NAME     | REMARKS         | SUFFIX |
|---|-------|---------------|----------------|-----------------|--------|
|   | C 273 | QFV41HJ-104   | FILM CAPACITOR | -10MF 5% 50V    |        |
|   | C 274 | QFV41HJ-104   | FILM CAPACITOR | -10MF 5% 50V    |        |
|   | C 301 | NCB21HK-153AY | C CAPACITOR    | .015MF 10% 50V  |        |
|   | C 311 | QEK41HM-105   | E-CAPACITOR    | 1.0MF 20% 50V   |        |
|   | C 312 | NCB21HK-102AY | C CAPACITOR    | 1000PF 10% 50V  |        |
|   | C 356 | NCB21HK-222AY | C CAPACITOR    | 2200PF 10% 50V  |        |
|   | C 371 | QFV41HJ-104   | FILM CAPACITOR | 470PF +50:-10%  |        |
|   | C 372 | QFV41HJ-104   | FILM CAPACITOR | -10MF 5% 50V    |        |
|   | C 373 | QFV41HJ-104   | FILM CAPACITOR | -10MF 5% 50V    |        |
|   | C 401 | NCB21HK-153AY | C CAPACITOR    | .015MF 10% 50V  |        |
|   | C 411 | QEK41HM-105   | E-CAPACITOR    | 1.0MF 20% 50V   |        |
|   | C 412 | NCB21HK-102AY | C CAPACITOR    | 1000PF 10% 50V  |        |
|   | C 456 | NCB21HK-222AY | C CAPACITOR    | 2200PF 10% 50V  |        |
|   | C 471 | NCT21CH-477AY | C CAPACITOR    | 470PF +50:-10%  |        |
|   | C 472 | QFV41HJ-104   | FILM CAPACITOR | -10MF 5% 50V    |        |
|   | C 473 | QFV41HJ-104   | FILM CAPACITOR | -10MF 5% 50V    |        |
|   | C 501 | NCB21HK-223AY | C CAPACITOR    | .022MF 10% 25V  |        |
|   | C 601 | QER41AM-107   | E-CAPACITOR    | 100MF 20% 10V   |        |
|   | C 602 | NCB21HK-332AY | C CAPACITOR    | 3300PF 10% 50V  |        |
|   | C 603 | NCB21HK-102AY | C CAPACITOR    | 1000PF 10% 50V  |        |
|   | C 604 | NCB21HK-332AY | C CAPACITOR    | 3300PF 10% 50V  |        |
|   | C 605 | NCB21HK-103AY | C CAPACITOR    | .010MF 10% 50V  |        |
|   | C 606 | NCB21HK-103AY | C CAPACITOR    | .010MF 10% 50V  |        |
|   | C 607 | QER41CM-106   | E-CAPACITOR    | 10MF 20% 16V    |        |
|   | C 608 | QER41EM-475VM | E-CAPACITOR    | 4.7MF 20% 25V   |        |
|   | C 609 | QER41CM-226VM | E-CAPACITOR    | 22MF 20% 16V    |        |
|   | C 610 | QETA1AM-477N  | E-CAPACITOR    | 470MF 20% 10V   |        |
|   | C 611 | NCB21HK-223AY | C CAPACITOR    | .022MF 10% 25V  |        |
|   | C 612 | QER41EM-475VM | E-CAPACITOR    | 4.7MF 20% 25V   |        |
|   | C 651 | QER41HM-224VS | E-CAPACITOR    | -22MF 20% 50V   |        |
|   | C 703 | NCT21CH-220AY | C CAPACITOR    | 22PF +50:-10% 1 |        |
|   | C 704 | NCT21CH-270AY | C CAPACITOR    | 27PF +50:-10% 1 |        |
|   | C 705 | NCB21HK-103AY | C CAPACITOR    | .010MF 10% 50V  |        |
|   | C 706 | NCB21HK-102AY | C CAPACITOR    | 1000PF 10% 50V  |        |
|   | C 707 | NCB21HK-102AY | C CAPACITOR    | 1000PF 10% 50V  |        |
|   | C 708 | NCB21HK-104   | C CAPACITOR    | -10MF 10% 25V   |        |
|   | C 709 | NCB21HK-104   | C CAPACITOR    | -10MF 10% 25V   |        |
|   | C 710 | NCB21HK-473AY | C CAPACITOR    | .047MF 10% 25V  |        |
|   | C 721 | NCB21HK-104   | C CAPACITOR    | -10MF 10% 25V   |        |
|   | C 723 | QETCIAM-108ZN | E-CAPACITOR    | 1000MF 20% 10V  |        |
|   | C 731 | NCB21HK-102AY | C CAPACITOR    | 1000PF 10% 50V  |        |
|   | C 732 | QER41HM-225   | E-CAPACITOR    | 2.2MF 20% 50V   |        |
|   | C 733 | QER41CM-476M  | E-CAPACITOR    | 47MF 20% 16V    |        |
|   | C 734 | QER41HM-225   | E-CAPACITOR    | 2.2MF 20% 50V   |        |
|   | C 735 | NCB21HK-100AY | C CAPACITOR    | 10PF 50V        |        |
|   | C 741 | NCB21HK-103AY | C CAPACITOR    | -0.10MF 10% 50V |        |
|   | C 751 | QER41EM-475VM | E-CAPACITOR    | 4.7MF 20% 25V   |        |
|   | C 752 | QER41CM-476M  | E-CAPACITOR    | 47MF 20% 16V    |        |
|   | C 761 | NCB21HK-103AY | C CAPACITOR    | .010MF 10% 50V  |        |
|   | C 801 | QERF1AM-227ZM | E-CAPACITOR    | 220MF 20% 10V   |        |
|   | C 901 | QEKFCM-107ZN  | E-CAPACITOR    | 100MF 20% 16V   |        |
|   | C 902 | NCB21HK-103AY | C CAPACITOR    | .010MF 10% 50V  |        |
|   | C 911 | QEK41CM-476   | E-CAPACITOR    | 47MF 20% 16V    |        |
|   | C 912 | QEK41HM-105   | E-CAPACITOR    | 1.0MF 20% 50V   |        |
|   | C 913 | QEK41EM-475   | E-CAPACITOR    | 4.7MF 20% 25V   |        |

BLOCK NO. 02

BLOCK NO. 02

| REF.  | PARTS NO.     | PARTS NAME      | PARTS NO. | PARTS NAME    | REMARKS       | SUFFIX |
|-------|---------------|-----------------|-----------|---------------|---------------|--------|
| Q 53  | 2SAB12(6)     | TRANSISTOR      | Q 53      | 2SAB12(6)     |               |        |
| Q 81  | 2SC2785       | TRANSISTOR      | Q 81      | 2SC2785       |               |        |
| Q 82  | 2SC2785       | TRANSISTOR      | Q 82      | 2SC2785       |               |        |
| Q 83  | BA1A4M        | TRANSISTOR      | Q 83      | BA1A4M        |               |        |
| Q 84  | BA1A4M        | TRANSISTOR      | Q 84      | BA1A4M        |               |        |
| Q 91  | 2SAB12(6)     | TRANSISTOR      | Q 91      | 2SAB12(6)     |               |        |
| Q 96  | FA1A4M        | TRANSISTOR      | Q 96      | FA1A4M        |               |        |
| Q 97  | FA1A4M        | TRANSISTOR      | Q 97      | FA1A4M        |               |        |
| Q 141 | 2SK301(P*Q)   | TRANSISTOR(FET) | Q 141     | 2SK301(P*Q)   |               |        |
| Q 156 | 2SC1623(6)    | TRANSISTOR      | Q 156     | 2SC1623(6)    |               |        |
| Q 157 | 2SC1623(6)    | TRANSISTOR      | Q 157     | 2SC1623(6)    |               |        |
| Q 161 | 2SC1623(6)    | TRANSISTOR      | Q 161     | 2SC1623(6)    |               |        |
| Q 241 | 2SK301(P*Q)   | TRANSISTOR(FET) | Q 241     | 2SK301(P*Q)   |               |        |
| Q 256 | 2SC1623(6)    | TRANSISTOR      | Q 256     | 2SC1623(6)    |               |        |
| Q 257 | 2SC1623(6)    | TRANSISTOR      | Q 257     | 2SC1623(6)    |               |        |
| Q 261 | 2SC1623(6)    | TRANSISTOR      | Q 261     | 2SC1623(6)    |               |        |
| Q 351 | 2SC1623(6)    | TRANSISTOR      | Q 351     | 2SC1623(6)    |               |        |
| Q 361 | 2SC1623(6)    | TRANSISTOR      | Q 361     | 2SC1623(6)    |               |        |
| Q 451 | 2SC1623(6)    | TRANSISTOR      | Q 451     | 2SC1623(6)    |               |        |
| Q 461 | 2SC1623(6)    | TRANSISTOR      | Q 461     | 2SC1623(6)    |               |        |
| Q 601 | 2SC1623(6)    | TRANSISTOR      | Q 601     | 2SC1623(6)    |               |        |
| Q 651 | FN1A4MX       | TRANSISTOR      | Q 651     | FN1A4MX       |               |        |
| Q 656 | 2SC1623(6)    | TRANSISTOR      | Q 656     | 2SC1623(6)    |               |        |
| Q 657 | 2SD1048X7T-HL | TRANSISTOR      | Q 657     | 2SD1048X7T-HL |               |        |
| Q 721 | 2SD973        | TRANSISTOR      | Q 721     | 2SD973        |               |        |
| Q 722 | 2SAB12(6)     | TRANSISTOR      | Q 722     | 2SAB12(6)     |               |        |
| Q 723 | 2SC1623(6)    | TRANSISTOR      | Q 723     | 2SC1623(6)    |               |        |
| Q 731 | 2SC1623(6)    | TRANSISTOR      | Q 731     | 2SC1623(6)    |               |        |
| Q 732 | 2SC1623(6)    | TRANSISTOR      | Q 732     | 2SC1623(6)    |               |        |
| Q 741 | 2SC1623(6)    | TRANSISTOR      | Q 741     | 2SC1623(6)    |               |        |
| Q 742 | 2SC1623(6)    | TRANSISTOR      | Q 742     | 2SC1623(6)    |               |        |
| Q 751 | FN1A4MX       | TRANSISTOR      | Q 751     | FN1A4MX       |               |        |
| Q 752 | FN1A4MX       | TRANSISTOR      | Q 752     | FN1A4MX       |               |        |
| Q 753 | FA1A4M        | TRANSISTOR      | Q 753     | FA1A4M        |               |        |
| Q 781 | FA1A4M        | TRANSISTOR      | Q 781     | FA1A4M        |               |        |
| Q 782 | FA1A4M        | TRANSISTOR      | Q 782     | FA1A4M        |               |        |
| Q 791 | 2SB643        | TRANSISTOR      | Q 791     | 2SB643        |               |        |
| Q 792 | FA1A4M        | TRANSISTOR      | Q 792     | FA1A4M        |               |        |
| Q 801 | 2SD973        | TRANSISTOR      | Q 801     | 2SD973        |               |        |
| Q 802 | 2SD973        | TRANSISTOR      | Q 802     | 2SD973        |               |        |
| Q 803 | 2SD973        | TRANSISTOR      | Q 803     | 2SD973        |               |        |
| Q 911 | FA1A4M        | TRANSISTOR      | Q 911     | FA1A4M        |               |        |
| Q 921 | FA1A4M        | TRANSISTOR      | Q 921     | FA1A4M        |               |        |
| Q 922 | FA1A4M        | TRANSISTOR      | Q 922     | FA1A4M        |               |        |
| Q 956 | FN1A4MX       | TRANSISTOR      | Q 956     | FN1A4MX       |               |        |
| Q 957 | FA1A4M        | TRANSISTOR      | Q 957     | FA1A4M        |               |        |
| Q 958 | 2SC1623(6)    | TRANSISTOR      | Q 958     | 2SC1623(6)    |               |        |
| Q 959 | 2SC1623(6)    | TRANSISTOR      | Q 959     | 2SC1623(6)    |               |        |
| Q 991 | FN1A4MX       | TRANSISTOR      | Q 991     | FN1A4MX       |               |        |
| Q 992 | 2SC1623(6)    | TRANSISTOR      | Q 992     | 2SC1623(6)    |               |        |
| R 1   | NRSA02J-102NY | MG RESISTOR     | R 1       | NRSA02J-102NY | 1.0K 5% 1/10W |        |
| R 2   | NRSA02J-ORONY | MG RESISTOR     | R 2       | NRSA02J-ORONY | 5% 1/10W      |        |
| R 3   | NRSA02J-391NY | MG RESISTOR     | R 3       | NRSA02J-391NY | 390 5% 1/10W  |        |
| R 4   | NRSA02J-203NY | MG RESISTOR     | R 4       | NRSA02J-203NY | 20K 5% 1/10W  |        |
| R 5   | NRSA02J-103NY | MG RESISTOR     | R 5       | NRSA02J-103NY | 10K 5% 1/10W  |        |

| REF.  | PARTS NO.       | PARTS NAME       | PARTS NO. | PARTS NAME | REMARKS | SUFFIX |
|-------|-----------------|------------------|-----------|------------|---------|--------|
| D 552 | SLR-342VCA49    | LED I/TM         |           |            | HBS     |        |
| D 601 | HZ55-6EB2       | ZENER DIODE      |           |            |         |        |
| D 651 | HSM2838C        | DIODE            |           |            |         |        |
| D 652 | HSM2836C        | DIODE            |           |            |         |        |
| D 656 | HSM2836C        | DIODE            |           |            |         |        |
| D 703 | MA165           | SI DIODE         |           |            |         |        |
| D 721 | HZ56-2EB3       | ZENER DIODE      |           |            |         |        |
| D 722 | MA165           | SI DIODE         |           |            |         |        |
| D 723 | MA165           | SI DIODE         |           |            |         |        |
| D 724 | MA165           | SI DIODE         |           |            |         |        |
| D 725 | MA165           | SI DIODE         |           |            |         |        |
| D 726 | HSM2836C        | DIODE            |           |            |         |        |
| D 731 | HZ510EB2        | ZENER DIODE      |           |            |         |        |
| D 741 | HSM2838C        | DIODE            |           |            |         |        |
| D 751 | MA165           | SI DIODE         |           |            |         |        |
| D 752 | HZ511EB2        | ZENER DIODE      |           |            |         |        |
| D 761 | MA165           | SI DIODE         |           |            |         |        |
| D 791 | DSK10C-E        | DIODE            |           |            |         |        |
| D 801 | HZ510EB2        | ZENER DIODE      |           |            |         |        |
| D 921 | HZ55-1EB2       | ZENER DIODE      |           |            |         |        |
| D 941 | MT74-7C         | ZENER DIODE      |           |            |         |        |
| D 956 | MA700           | ZENER DIODE      |           |            |         |        |
| D 957 | MA700           | ZENER DIODE      |           |            |         |        |
| D 991 | DSK10C-E        | DIODE            |           |            |         |        |
| IC 1  | LA1862M         | IC               |           |            |         |        |
| IC 51 | LA1135          | IC               |           |            |         |        |
| IC141 | BA15218N        | IC               |           |            |         |        |
| IC241 | BA15218N        | IC               |           |            |         |        |
| IC601 | LA2230          | IC               |           |            |         |        |
| IC701 | UPD17003AGF-652 | IC               |           |            |         |        |
| IC761 | HD74HC126P      | IC               |           |            |         |        |
| IC901 | UPC1228HA       | IC               |           |            |         |        |
| IC911 | HA12135AFT      | IC               |           |            |         |        |
| IC921 | UPD4052BC       | IC               |           |            |         |        |
| IC951 | VC4580D         | IC               |           |            |         |        |
| IC961 | VC4580D         | IC               |           |            |         |        |
| IC971 | HA13152         | IC               |           |            |         |        |
| J 1   | VMZ0015-014     | POST PIN         |           |            |         |        |
| L 1   | VRP0018-470     | INDUCTOR         |           |            |         |        |
| L 2   | VRP1002-2R2Y    | INDUCTOR         |           |            |         |        |
| L 3   | VQT7F07-504     | IFT              |           |            |         |        |
| L 4   | VRP1003-R22Y    | INDUCTOR         |           |            |         |        |
| L 52  | VGM7U01-501     | OSC COIL (MW)    |           |            |         |        |
| L 81  | VQL7U01-501     | OSC COIL (LW)    |           |            |         |        |
| L 721 | VRP0018-470     | INDUCTOR         |           |            |         |        |
| LCD 1 | VGL1154-001     | LCD              |           |            |         |        |
| PL531 | VGZ0001-056     | LAMP             |           |            |         |        |
| PL532 | VGZ0001-056     | LAMP             |           |            |         |        |
| PL551 | VGZ0001-055     | LAMP             |           |            |         |        |
| PL552 | VGZ0001-055     | LAMP             |           |            |         |        |
| Q 1   | 2SC2814(F4F5)HL | TRANSISTOR       |           |            |         |        |
| Q 41  | 2SB643          | TRANSISTOR       |           |            |         |        |
| Q 42  | FA1A4M          | TRANSISTOR       |           |            |         |        |
| Q 51  | 2SK519(EL, FL)  | TRANSISTOR (FET) |           |            |         |        |
| Q 52  | 2SC1740S(R,S)   | TRANSISTOR       |           |            |         |        |

BLOCK NO. 02

BLOCK NO. 02

| A | REF. | PARTS NO.     | PARTS NAME      | REMARKS         | SUFFIX |
|---|------|---------------|-----------------|-----------------|--------|
| R | 123  | NRSA02J-474NY | MG RESISTOR     | 470K 5% 1/10W   |        |
| R | 124  | NRSA02J-223NY | MG RESISTOR     | 22K 5% 1/10W    |        |
| R | 131  | QRD161J-681   | CARBON RESISTOR | 680.5K 5% 1/6W  |        |
| R | 132  | QRD161J-222   | CARBON RESISTOR | 2.2K 5% 1/6W    |        |
| R | 133  | QRD161J-122   | CARBON RESISTOR | 1.2K 5% 1/6W    |        |
| R | 134  | QRD161J-392   | CARBON RESISTOR | 3.9K 5% 1/6W    |        |
| R | 135  | NRSA02J-332NY | MG RESISTOR     | 3.3K 5% 1/10W   |        |
| R | 141  | QRD167J-682   | CARBON RESISTOR | 6.8K 5% 1/6W    |        |
| R | 142  | NRSA02J-332NY | MG RESISTOR     | 3.3K 5% 1/10W   |        |
| R | 143  | NRSA02J-104NY | MG RESISTOR     | 100K 5% 1/10W   |        |
| R | 144  | QRD161J-394   | CARBON RESISTOR | 390K 5% 1/6W    |        |
| R | 145  | QRD161J-681   | CARBON RESISTOR | 680.5K 5% 1/6W  |        |
| R | 146  | QRD161J-104   | CARBON RESISTOR | 100K 5% 1/6W    |        |
| R | 147  | QRD161J-104   | CARBON RESISTOR | 100K 5% 1/6W    |        |
| R | 151  | NRSA02J-472NY | MG RESISTOR     | 4.7K 5% 1/10W   |        |
| R | 152  | NRSA02J-222NY | MG RESISTOR     | 2.2K 5% 1/10W   |        |
| R | 153  | NRSA02J-104NY | MG RESISTOR     | 100K 5% 1/10W   |        |
| R | 155  | NRSA02J-472NY | MG RESISTOR     | 4.7K 5% 1/10W   |        |
| R | 156  | NRSA02J-271NY | MG RESISTOR     | 270.5K 5% 1/10W |        |
| R | 157  | NRSA02J-335NY | MG RESISTOR     | 3.3M 5% 1/10W   |        |
| R | 158  | NRSA02J-335NY | MG RESISTOR     | 3.3M 5% 1/10W   |        |
| R | 159  | NRSA02J-222NY | MG RESISTOR     | 2.2K 5% 1/10W   |        |
| R | 161  | NRSA02J-104NY | MG RESISTOR     | 100K 5% 1/10W   |        |
| R | 162  | NRSA02J-222NY | MG RESISTOR     | 2.2K 5% 1/10W   |        |
| R | 163  | NRSA02J-102NY | MG RESISTOR     | 1.0K 5% 1/10W   |        |
| R | 164  | QRD161J-101   | CARBON RESISTOR | 100.5K 5% 1/6W  |        |
| R | 171  | NRSA02J-473NY | MG RESISTOR     | 47K 5% 1/10W    |        |
| R | 172  | NRSA02J-393NY | MG RESISTOR     | 39K 5% 1/10W    |        |
| R | 173  | QRD161J-2R2   | CARBON RESISTOR | 2.2 5% 1/6W     |        |
| R | 174  | QRD161J-2R2   | CARBON RESISTOR | 2.2 5% 1/6W     |        |
| R | 201  | NRSA02J-334NY | MG RESISTOR     | 330K 5% 1/10W   |        |
| R | 202  | NRSA02J-153NY | MG RESISTOR     | 15K 5% 1/10W    |        |
| R | 203  | NRSA02J-271NY | MG RESISTOR     | 270.5K 5% 1/10W |        |
| R | 221  | NRSA02J-223NY | MG RESISTOR     | 22K 5% 1/10W    |        |
| R | 222  | NRSA02J-103NY | MG RESISTOR     | 10K 5% 1/10W    |        |
| R | 223  | NRSA02J-474NY | MG RESISTOR     | 470K 5% 1/10W   |        |
| R | 224  | NRSA02J-223NY | MG RESISTOR     | 22K 5% 1/10W    |        |
| R | 231  | NRSA02J-681NY | MG RESISTOR     | 680.5K 5% 1/10W |        |
| R | 242  | QRD167J-332   | CARBON RESISTOR | 3.3K 5% 1/6W    |        |
| R | 243  | QRD161J-104   | CARBON RESISTOR | 100K 5% 1/6W    |        |
| R | 234  | QRD161J-392   | CARBON RESISTOR | 3.9K 5% 1/6W    |        |
| R | 235  | NRSA02J-332NY | MG RESISTOR     | 3.3K 5% 1/10W   |        |
| R | 241  | QRD167J-682   | CARBON RESISTOR | 6.8K 5% 1/6W    |        |
| R | 242  | QRD167J-332   | CARBON RESISTOR | 3.3K 5% 1/6W    |        |
| R | 243  | QRD161J-104   | CARBON RESISTOR | 100K 5% 1/6W    |        |
| R | 244  | QRD161J-394   | CARBON RESISTOR | 390K 5% 1/6W    |        |
| R | 245  | QRD161J-681   | CARBON RESISTOR | 680.5K 5% 1/6W  |        |
| R | 246  | QRD161J-104   | CARBON RESISTOR | 100K 5% 1/6W    |        |
| R | 247  | QRD161J-104   | CARBON RESISTOR | 100K 5% 1/6W    |        |
| R | 251  | NRSA02J-472NY | MG RESISTOR     | 4.7K 5% 1/10W   |        |
| R | 252  | NRSA02J-222NY | MG RESISTOR     | 2.2K 5% 1/10W   |        |
| R | 253  | NRSA02J-104NY | MG RESISTOR     | 100K 5% 1/10W   |        |
| R | 255  | NRSA02J-472NY | MG RESISTOR     | 4.7K 5% 1/10W   |        |
| R | 256  | NRSA02J-271NY | MG RESISTOR     | 270.5K 5% 1/10W |        |
| R | 257  | NRSA02J-335NY | MG RESISTOR     | 3.3M 5% 1/10W   |        |

| A | REF. | PARTS NO.     | PARTS NAME  | REMARKS         | SUFFIX |
|---|------|---------------|-------------|-----------------|--------|
| R | 6    | NRSA02J-331NY | MG RESISTOR | 330.5K 5% 1/10W |        |
| R | 7    | NRSA02J-182NY | MG RESISTOR | 1.8K 5% 1/10W   |        |
| R | 8    | NRSA02J-221NY | MG RESISTOR | 220.5K 5% 1/10W |        |
| R | 9    | NRSA02J-331NY | MG RESISTOR | 330.5K 5% 1/10W |        |
| R | 10   | NRSA02J-392NY | MG RESISTOR | 3.9K 5% 1/10W   |        |
| R | 11   | NRSA02J-223NY | MG RESISTOR | 22K 5% 1/10W    |        |
| R | 12   | NRSA02J-123NY | MG RESISTOR | 12K 5% 1/10W    |        |
| R | 13   | NRSA02J-562NY | MG RESISTOR | 5.6K 5% 1/10W   |        |
| R | 14   | NRSA02J-153NY | MG RESISTOR | 15K 5% 1/10W    |        |
| R | 15   | NRSA02J-332NY | MG RESISTOR | 3.3K 5% 1/10W   |        |
| R | 16   | NRSA02J-562NY | MG RESISTOR | 5.6K 5% 1/10W   |        |
| R | 17   | NRSA02J-683NY | MG RESISTOR | 68K 5% 1/10W    |        |
| R | 18   | NRSA02J-472NY | MG RESISTOR | 4.7K 5% 1/10W   |        |
| R | 19   | NRSA02J-473NY | MG RESISTOR | 47K 5% 1/10W    |        |
| R | 20   | NRSA02J-682NY | MG RESISTOR | 6.8K 5% 1/10W   |        |
| R | 21   | NRSA02J-752NY | MG RESISTOR | 7.5K 5% 1/10W   |        |
| R | 22   | NRSA02J-333NY | MG RESISTOR | 33K 5% 1/10W    |        |
| R | 24   | NRSA02J-823NY | MG RESISTOR | 82K 5% 1/10W    |        |
| R | 25   | NRSA02J-273NY | MG RESISTOR | 27K 5% 1/10W    |        |
| R | 26   | NRSA02J-562NY | MG RESISTOR | 5.6K 5% 1/10W   |        |
| R | 27   | NRSA02J-100NY | MG RESISTOR | 10.5K 5% 1/10W  |        |
| R | 28   | NRSA02J-560NY | MG RESISTOR | 56.5K 5% 1/10W  |        |
| R | 40   | NRSA02J-153NY | MG RESISTOR | 15K 5% 1/10W    |        |
| R | 41   | NRSA02J-473NY | MG RESISTOR | 47K 5% 1/10W    |        |
| R | 42   | NRSA02J-222NY | MG RESISTOR | 2.2K 5% 1/10W   |        |
| R | 51   | NRSA02J-104NY | MG RESISTOR | 100K 5% 1/10W   |        |
| R | 52   | NRSA02J-102NY | MG RESISTOR | 1.0K 5% 1/10W   |        |
| R | 54   | NRSA02J-104NY | MG RESISTOR | 100K 5% 1/10W   |        |
| R | 55   | NRSA02J-104NY | MG RESISTOR | 100K 5% 1/10W   |        |
| R | 56   | NRSA02J-104NY | MG RESISTOR | 100K 5% 1/10W   |        |
| R | 57   | NRSA02J-330NY | MG RESISTOR | 33.5K 5% 1/10W  |        |
| R | 58   | NRSA02J-223NY | MG RESISTOR | 22K 5% 1/10W    |        |
| R | 59   | NRSA02J-102NY | MG RESISTOR | 1.0K 5% 1/10W   |        |
| R | 60   | NRSA02J-103NY | MG RESISTOR | 10K 5% 1/10W    |        |
| R | 61   | NRSA02J-822NY | MG RESISTOR | 82.5K 5% 1/10W  |        |
| R | 62   | NRSA02J-332NY | MG RESISTOR | 3.3K 5% 1/10W   |        |
| R | 63   | NRSA02J-273NY | MG RESISTOR | 27K 5% 1/10W    |        |
| R | 64   | NRSA02J-473NY | MG RESISTOR | 47K 5% 1/10W    |        |
| R | 65   | NRSA02J-102NY | MG RESISTOR | 1.0K 5% 1/10W   |        |
| R | 66   | NRSA02J-153NY | MG RESISTOR | 15K 5% 1/10W    |        |
| R | 67   | NRSA02J-330NY | MG RESISTOR | 33.5K 5% 1/10W  |        |
| R | 68   | NRSA02J-102NY | MG RESISTOR | 1.0K 5% 1/10W   |        |
| R | 69   | NRSA02J-0R0NY | MG RESISTOR | 5% 1/10W        |        |
| R | 81   | NRSA02J-332NY | MG RESISTOR | 3.3K 5% 1/10W   |        |
| R | 82   | NRSA02J-682NY | MG RESISTOR | 6.8K 5% 1/10W   |        |
| R | 83   | NRSA02J-222NY | MG RESISTOR | 2.2K 5% 1/10W   |        |
| R | 84   | NRSA02J-222NY | MG RESISTOR | 2.2K 5% 1/10W   |        |
| R | 91   | NRSA02J-222NY | MG RESISTOR | 2.2K 5% 1/10W   |        |
| R | 96   | NRSA02J-102NY | MG RESISTOR | 1.0K 5% 1/10W   |        |
| R | 97   | NRSA02J-222NY | MG RESISTOR | 2.2K 5% 1/10W   |        |
| R | 101  | NRSA02J-334NY | MG RESISTOR | 330K 5% 1/10W   |        |
| R | 102  | NRSA02J-153NY | MG RESISTOR | 15K 5% 1/10W    |        |
| R | 103  | NRSA02J-271NY | MG RESISTOR | 270.5K 5% 1/10W |        |
| R | 111  | NRSA02J-223NY | MG RESISTOR | 22K 5% 1/10W    |        |
| R | 122  | NRSA02J-103NY | MG RESISTOR | 10K 5% 1/10W    |        |

BLOCK NO. 02

| REF.  | PARTS NO.     | PARTS NAME      | REMARKS       | SUFFIX |
|-------|---------------|-----------------|---------------|--------|
| R 657 | NRSA02J-152NY | MG RESISTOR     | 1.5K 5% 1/10W |        |
| R 701 | NRSA02J-473NY | MG RESISTOR     | 47K 5% 1/10W  |        |
| R 702 | NRSA02J-473NY | MG RESISTOR     | 47K 5% 1/10W  |        |
| R 703 | NRSA02J-332NY | MG RESISTOR     | 3.3K 5% 1/10W |        |
| R 704 | NRSA02J-473NY | MG RESISTOR     | 47K 5% 1/10W  |        |
| R 705 | NRSA02J-473NY | MG RESISTOR     | 47K 5% 1/10W  |        |
| R 706 | NRSA02J-473NY | MG RESISTOR     | 47K 5% 1/10W  |        |
| R 708 | NRSA02J-472NY | MG RESISTOR     | 4.7K 5% 1/10W |        |
| R 709 | NRSA02J-472NY | MG RESISTOR     | 4.7K 5% 1/10W |        |
| R 710 | NRSA02J-223NY | MG RESISTOR     | 22K 5% 1/10W  |        |
| R 711 | NRSA02J-223NY | MG RESISTOR     | 22K 5% 1/10W  |        |
| R 712 | GRD161J-103   | CARBON RESISTOR | 10K 5% 1/6W   |        |
| R 713 | NRSA02J-223NY | MG RESISTOR     | 22K 5% 1/10W  |        |
| R 714 | NRSA02J-102NY | MG RESISTOR     | 1.0K 5% 1/10W |        |
| R 721 | GRD161J-101   | CARBON RESISTOR | 100 5% 1/6W   |        |
| R 722 | NRSA02J-271NY | MG RESISTOR     | 270 5% 1/10W  |        |
| R 723 | NRSA02J-102NY | MG RESISTOR     | 1.0K 5% 1/10W |        |
| R 724 | NRSA02J-103NY | MG RESISTOR     | 10K 5% 1/10W  |        |
| R 725 | NRSA02J-223NY | MG RESISTOR     | 22K 5% 1/10W  |        |
| R 726 | NRSA02J-332NY | MG RESISTOR     | 3.3K 5% 1/10W |        |
| R 731 | NRSA02J-152NY | MG RESISTOR     | 1.5K 5% 1/10W |        |
| R 732 | NRSA02J-103NY | MG RESISTOR     | 10K 5% 1/10W  |        |
| R 733 | NRSA02J-103NY | MG RESISTOR     | 10K 5% 1/10W  |        |
| R 734 | NRSA02J-471NY | MG RESISTOR     | 470 5% 1/10W  |        |
| R 735 | NRSA02J-331NY | MG RESISTOR     | 330 5% 1/10W  |        |
| R 736 | NRSA02J-332NY | MG RESISTOR     | 3.3K 5% 1/10W |        |
| R 737 | NRSA02J-471NY | MG RESISTOR     | 470 5% 1/10W  |        |
| R 741 | GRD161J-124   | CARBON RESISTOR | 120K 5% 1/6W  |        |
| R 742 | NRSA02J-103NY | MG RESISTOR     | 10K 5% 1/10W  |        |
| R 743 | NRSA02J-473NY | MG RESISTOR     | 47K 5% 1/10W  |        |
| R 744 | NRSA02J-223NY | MG RESISTOR     | 22K 5% 1/10W  |        |
| R 745 | NRSA02J-224NY | MG RESISTOR     | 220K 5% 1/10W |        |
| R 747 | NRSA02J-ORONY | MG RESISTOR     | 5% 1/10W      |        |
| R 748 | NRSA02J-ORONY | MG RESISTOR     | 5% 1/10W      |        |
| R 751 | NRSA02J-332NY | MG RESISTOR     | 3.3K 5% 1/10W |        |
| R 761 | NRSA02J-472NY | MG RESISTOR     | 4.7K 5% 1/10W |        |
| R 762 | NRSA02J-473NY | MG RESISTOR     | 47K 5% 1/10W  |        |
| R 763 | NRSA02J-473NY | MG RESISTOR     | 47K 5% 1/10W  |        |
| R 764 | NRSA02J-223NY | MG RESISTOR     | 22K 5% 1/10W  |        |
| R 765 | GRD161J-101   | CARBON RESISTOR | 100 5% 1/6W   |        |
| R 766 | NRSA02J-334NY | MG RESISTOR     | 330K 5% 1/10W |        |
| R 767 | NRSA02J-103NY | MG RESISTOR     | 10K 5% 1/10W  |        |
| R 768 | GRD161J-101   | CARBON RESISTOR | 100 5% 1/6W   |        |
| R 769 | GRD161J-101   | CARBON RESISTOR | 100 5% 1/6W   |        |
| R 770 | NRSA02J-473NY | MG RESISTOR     | 47K 5% 1/10W  |        |
| R 771 | NRSA02J-334NY | MG RESISTOR     | 330K 5% 1/10W |        |
| R 772 | NRSA02J-102NY | MG RESISTOR     | 1.0K 5% 1/10W |        |
| R 773 | NRSA02J-472NY | MG RESISTOR     | 4.7K 5% 1/10W |        |
| R 774 | GRD161J-102   | CARBON RESISTOR | 1.0K 5% 1/6W  |        |
| R 775 | NRSA02J-102NY | MG RESISTOR     | 1.0K 5% 1/10W |        |
| R 791 | NRSA02J-103NY | MG RESISTOR     | 10K 5% 1/10W  |        |
| R 792 | NRSA02J-102NY | MG RESISTOR     | 1.0K 5% 1/10W |        |
| R 801 | NRSA02J-222NY | MG RESISTOR     | 2.2K 5% 1/10W |        |
| R 802 | GRD161J-2R2   | CARBON RESISTOR | 2.2 5% 1/6W   |        |
| R 803 | GRD161J-2R2   | CARBON RESISTOR | 2.2 5% 1/6W   |        |

BLOCK NO. 02

| REF.  | PARTS NO.     | PARTS NAME      | REMARKS       | SUFFIX |
|-------|---------------|-----------------|---------------|--------|
| R 258 | NRSA02J-335NY | MG RESISTOR     | 3.3K 5% 1/10W |        |
| R 259 | NRSA02J-222NY | MG RESISTOR     | 2.2K 5% 1/10W |        |
| R 261 | NRSA02J-104NY | MG RESISTOR     | 100K 5% 1/10W |        |
| R 262 | NRSA02J-222NY | MG RESISTOR     | 2.2K 5% 1/10W |        |
| R 263 | NRSA02J-102NY | MG RESISTOR     | 1.0K 5% 1/10W |        |
| R 264 | GRD161J-101   | CARBON RESISTOR | 100 5% 1/6W   |        |
| R 271 | NRSA02J-473NY | MG RESISTOR     | 47K 5% 1/10W  |        |
| R 272 | NRSA02J-393NY | MG RESISTOR     | 39K 5% 1/10W  |        |
| R 273 | GRD161J-2R2   | CARBON RESISTOR | 2.2 5% 1/6W   |        |
| R 274 | GRD161J-2R2   | CARBON RESISTOR | 2.2 5% 1/6W   |        |
| R 301 | GRD161J-273   | CARBON RESISTOR | 27K 5% 1/6W   |        |
| R 311 | NRSA02J-822NY | MG RESISTOR     | 8.2K 5% 1/10W |        |
| R 351 | NRSA02J-222NY | MG RESISTOR     | 2.2K 5% 1/10W |        |
| R 352 | NRSA02J-222NY | MG RESISTOR     | 2.2K 5% 1/10W |        |
| R 353 | NRSA02J-224NY | MG RESISTOR     | 220K 5% 1/10W |        |
| R 362 | NRSA02J-222NY | MG RESISTOR     | 2.2K 5% 1/10W |        |
| R 363 | NRSA02J-102NY | MG RESISTOR     | 1.0K 5% 1/10W |        |
| R 371 | NRSA02J-473NY | MG RESISTOR     | 47K 5% 1/10W  |        |
| R 372 | NRSA02J-393NY | MG RESISTOR     | 39K 5% 1/10W  |        |
| R 373 | GRD161J-2R2   | CARBON RESISTOR | 2.2 5% 1/6W   |        |
| R 374 | GRD161J-2R2   | CARBON RESISTOR | 2.2 5% 1/6W   |        |
| R 401 | GRD161J-273   | CARBON RESISTOR | 27K 5% 1/6W   |        |
| R 411 | NRSA02J-822NY | MG RESISTOR     | 8.2K 5% 1/10W |        |
| R 431 | NRSA02J-222NY | MG RESISTOR     | 2.2K 5% 1/10W |        |
| R 452 | NRSA02J-222NY | MG RESISTOR     | 2.2K 5% 1/10W |        |
| R 456 | NRSA02J-224NY | MG RESISTOR     | 220K 5% 1/10W |        |
| R 462 | NRSA02J-222NY | MG RESISTOR     | 2.2K 5% 1/10W |        |
| R 463 | NRSA02J-102NY | MG RESISTOR     | 1.0K 5% 1/10W |        |
| R 471 | NRSA02J-473NY | MG RESISTOR     | 47K 5% 1/10W  |        |
| R 472 | NRSA02J-393NY | MG RESISTOR     | 39K 5% 1/10W  |        |
| R 473 | GRD161J-2R2   | CARBON RESISTOR | 2.2 5% 1/6W   |        |
| R 474 | GRD161J-2R2   | CARBON RESISTOR | 2.2 5% 1/6W   |        |
| R 501 | GRD161J-182   | CARBON RESISTOR | 1.8K 5% 1/6W  |        |
| R 502 | GRD161J-182   | CARBON RESISTOR | 1.8K 5% 1/6W  |        |
| R 503 | NRSA02J-271NY | MG RESISTOR     | 270 5% 1/10W  |        |
| R 504 | NRSA02J-271NY | MG RESISTOR     | 270 5% 1/10W  |        |
| R 505 | NRSA02J-472NY | MG RESISTOR     | 4.7K 5% 1/10W |        |
| R 551 | NRSA02J-681NY | MG RESISTOR     | 680 5% 1/10W  |        |
| R 552 | NRSA02J-102NY | MG RESISTOR     | 1.0K 5% 1/10W |        |
| R 553 | NRSA02J-152NY | MG RESISTOR     | 1.5K 5% 1/10W |        |
| R 554 | NRSA02J-222NY | MG RESISTOR     | 2.2K 5% 1/10W |        |
| R 555 | NRSA02J-392NY | MG RESISTOR     | 3.9K 5% 1/10W |        |
| R 556 | NRSA02J-681NY | MG RESISTOR     | 680 5% 1/10W  |        |
| R 557 | NRSA02J-102NY | MG RESISTOR     | 1.0K 5% 1/10W |        |
| R 558 | NRSA02J-152NY | MG RESISTOR     | 1.5K 5% 1/10W |        |
| R 559 | NRSA02J-222NY | MG RESISTOR     | 2.2K 5% 1/10W |        |
| R 600 | NRSA02J-392NY | MG RESISTOR     | 3.9K 5% 1/10W |        |
| R 601 | NRSA02J-102NY | MG RESISTOR     | 1.0K 5% 1/10W |        |
| R 602 | NRSA02J-102NY | MG RESISTOR     | 1.0K 5% 1/10W |        |
| R 603 | NRSA02J-332NY | MG RESISTOR     | 3.3K 5% 1/10W |        |
| R 604 | GRD161J-824   | CARBON RESISTOR | 820K 5% 1/6W  |        |
| R 605 | NRSA02J-102NY | MG RESISTOR     | 1.0K 5% 1/10W |        |
| R 606 | NRSA02J-682NY | MG RESISTOR     | 6.8K 5% 1/10W |        |
| R 651 | NRSA02J-471NY | MG RESISTOR     | 470 5% 1/10W  |        |
| R 656 | NRSA02J-473NY | MG RESISTOR     | 47K 5% 1/10W  |        |

BLOCK NO. 02111111

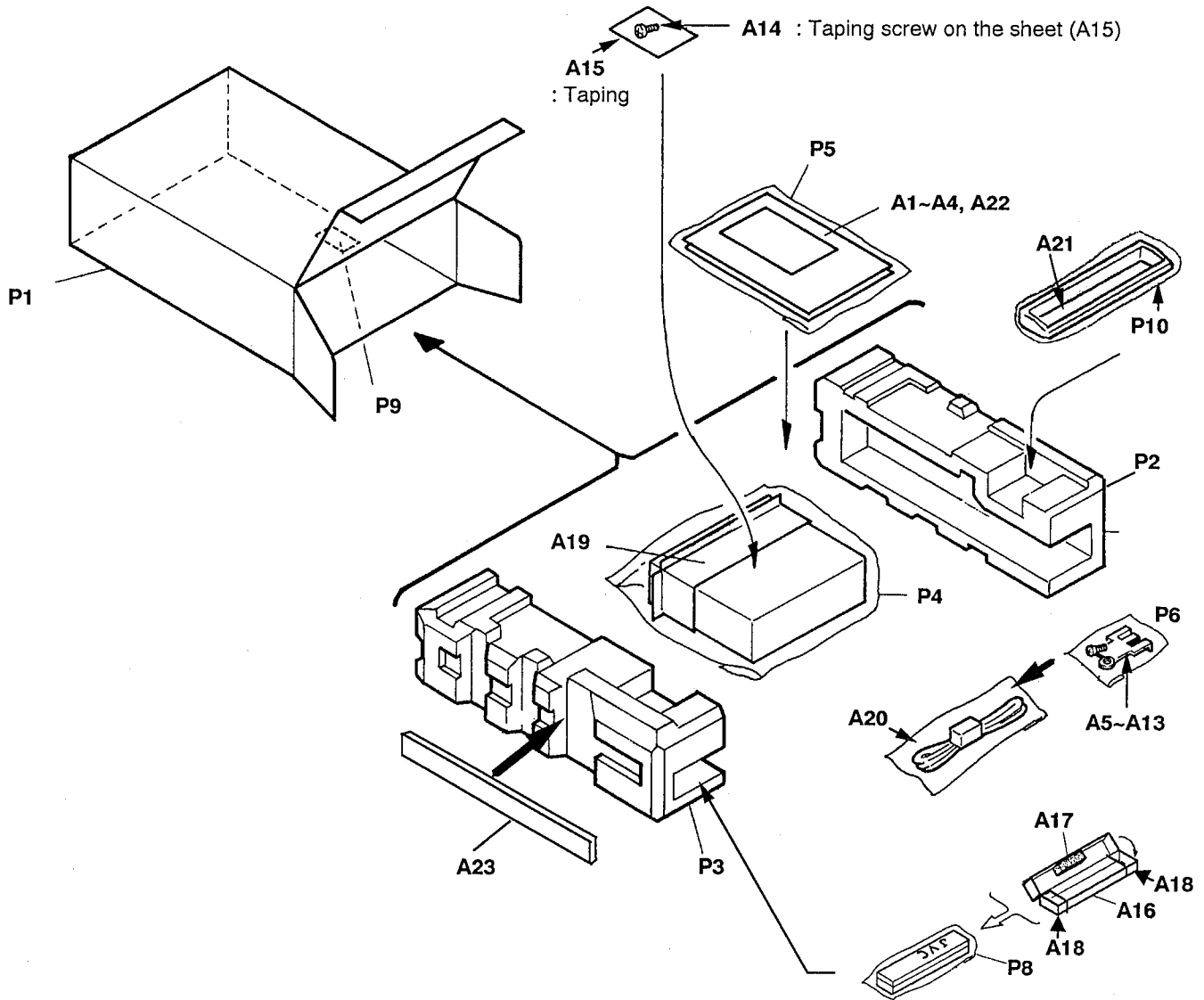
| A REF. | PARTS NO.     | PARTS NAME      | REMARKS       | SUFFIX |
|--------|---------------|-----------------|---------------|--------|
| VR601  | QVPE612-502ZM | SEMI-V-RESISTOR | SK/DK ADJ.    |        |
| VR741  | QVPA601-503A  | V-RESISTOR      | STOP SENS-ADJ |        |
| VR931  | VCV1001-152   | V-RESISTOR      | BASS/TREBLE   |        |
| VR932  | VCV1001-153   | V-RESISTOR      | BALANCE       |        |
| VR935  | VCV1001-154   | V-RESISTOR      | BASS/TREBLE   |        |
| W 941  | VMP3249-001   | PIN CORD ASS'Y  |               |        |
| X 701  | VCX4001-005   | CRYSTAL         |               |        |

BLOCK NO. 02111111

| A REF. | PARTS NO.     | PARTS NAME      | REMARKS        | SUFFIX |
|--------|---------------|-----------------|----------------|--------|
| R 901  | NRS181J-101NY | MG RESISTOR     | 100 5% 1/8W    |        |
| R 911  | NRSA02J-183NY | MG RESISTOR     | 18K 5% 1/10W   |        |
| R 912  | NRSA02J-223NY | MG RESISTOR     | 22K 5% 1/10W   |        |
| R 913  | NRSA02J-223NY | MG RESISTOR     | 22K 5% 1/10W   |        |
| R 921  | NRSA02J-103NY | MG RESISTOR     | 10K 5% 1/10W   |        |
| R 922  | NRSA02J-102NY | MG RESISTOR     | 1.0K 5% 1/10W  |        |
| R 923  | NRSA02J-100NY | MG RESISTOR     | 10 5% 1/10W    |        |
| R 924  | NRSA02J-103NY | MG RESISTOR     | 10K 5% 1/10W   |        |
| R 935  | NRSA02J-561NY | MG RESISTOR     | 560 5% 1/10W   |        |
| R 941  | QRD161J-102   | CARBON RESISTOR | 1.0K 5% 1/6W   |        |
| R 942  | QRD161J-220   | CARBON RESISTOR | 22 5% 1/6W     |        |
| R 951  | QRD167J-682   | CARBON RESISTOR | 6.8K 5% 1/6W   |        |
| R 952  | QRD167J-682   | CARBON RESISTOR | 6.8K 5% 1/6W   |        |
| R 953  | NRSA02J-103NY | MG RESISTOR     | 10K 5% 1/10W   |        |
| R 954  | NRSA02J-104NY | MG RESISTOR     | 100K 5% 1/10W  |        |
| R 955  | NRSA02J-332NY | MG RESISTOR     | 3.3K 5% 1/10W  |        |
| R 956  | NRSA02J-104NY | MG RESISTOR     | 100K 5% 1/10W  |        |
| R 957  | QRD161J-184   | CARBON RESISTOR | 180K 5% 1/6W   |        |
| R 958  | NRSA02J-182NY | MG RESISTOR     | 1.8K 5% 1/10W  |        |
| R 959  | QRD161J-561   | CARBON RESISTOR | 560 5% 1/6W    |        |
| R 960  | QRD161J-475   | CARBON RESISTOR | 4.7M 5% 1/6W   |        |
| R 961  | NRSA02J-682NY | MG RESISTOR     | 6.8K 5% 1/10W  |        |
| R 962  | QRD167J-682   | CARBON RESISTOR | 6.8K 5% 1/6W   |        |
| R 971  | NRSA02J-473NY | MG RESISTOR     | 47K 5% 1/10W   |        |
| R 972  | NRSA02J-473NY | MG RESISTOR     | 47K 5% 1/10W   |        |
| R 991  | NRSA02J-222NY | MG RESISTOR     | 2.2K 5% 1/10W  |        |
| R 992  | NRSA02J-473NY | MG RESISTOR     | 47K 5% 1/10W   |        |
| RY991  | VSK1D12-118   | RELAY           |                |        |
| S 551  | QS01B11-V01Z  | TACT SWITCH     | 6/MAG. +       |        |
| S 552  | QS01B11-V01Z  | TACT SWITCH     | 5/MAG. -       |        |
| S 553  | QS01B11-V01Z  | TACT SWITCH     | 4/RANDOM       |        |
| S 554  | QS01B11-V01Z  | TACT SWITCH     | 3/DOLBY        |        |
| S 555  | QS01B11-V01Z  | TACT SWITCH     | BAND/CLOCK     |        |
| S 556  | QS01B11-V01Z  | TACT SWITCH     | 2/MONO         |        |
| S 557  | QS01B11-V01Z  | TACT SWITCH     | UP/SKIP+       |        |
| S 558  | QS01B11-V01Z  | TACT SWITCH     | MODE           |        |
| S 559  | QS01B11-V01Z  | TACT SWITCH     | HBS/SK.DK      |        |
| S 560  | QS01B11-V01Z  | TACT SWITCH     | FUNCTION       |        |
| S 561  | QS01B11-V01Z  | TACT SWITCH     | 1/P-SCAN       |        |
| S 562  | QS01B11-V01Z  | TACT SWITCH     | DOWN/SKIP-     |        |
| T 51   | VGZ0040-001   | AM RF           |                |        |
| T 52   | VGZ0040-101   | AM RF           |                |        |
| T 53   | VGT7A21-105   | IFT             |                |        |
| T 54   | VGT7A11-209   | IFT             |                |        |
| T 81   | VGZ0056-001   | LW RF COIL      |                |        |
| T 82   | VGZ0056-001   | LW RF COIL      |                |        |
| TC 51  | QAT1322-200ZM | T-CAPACITOR     |                |        |
| TC 81  | QAT1322-600ZM | T-CAPACITOR     |                |        |
| TP 1   | VMC0075-002N  | CONNECTOR       |                |        |
| TP911  | VMC0075-002N  | CONNECTOR       |                |        |
| TU 1   | VAF2S07-402   | FM FRONT END    |                |        |
| VR 1   | QVPA603-333A  | SEMI-V-RESISTOR | SEPARATION ADJ |        |
| VR 3   | QVPA603-223A  | SEMI-V-RESISTOR | BLEND ADJ.     |        |
| VR111  | QVPA603-223A  | SEMI-V-RESISTOR |                |        |
| VR211  | QVPA603-223A  | SEMI-V-RESISTOR |                |        |



### 13. Illustration of Packing and Parts List



■ Packing parts list

BLOCK NO.

| △ | REF. | PARTS NO.     | PARTS NAME    | REMARKS         | QTY | SUFFIX | CLR |
|---|------|---------------|---------------|-----------------|-----|--------|-----|
|   | P 1  | VPC3496-S003  | CARTON        | PRINTED IN SING | 1   |        |     |
|   | P 2  | VPH1647-002   | CUSHION(L)    |                 | 1   |        |     |
|   | P 3  | VPH1648-002   | CUSHION(R)    |                 | 1   |        |     |
|   | P 4  | VPE3005-066   | POLY BAG      | SET             | 1   |        |     |
|   | P 5  | QPGB017-02404 | POLY BAG      | INSTRUCTIONS    | 1   |        |     |
|   | P 6  | QPGA008-01205 | POLY BAG      | SCREW KIT       | 1   |        |     |
|   | P 8  | QPGA010-03003 | POLY.BAG      | FOR HARD CASE   | 1   |        |     |
|   | P 9  | VND3046-005   | SERIAL TICKET |                 | 1   | G      |     |
|   |      | VND3046-003   | SERIAL TICKET |                 | 1   | E      |     |
|   |      | VND3046-001   | SERIAL TICKET | CARTON          | 1   | GI,GE  |     |
|   |      | VND3046-004   | SERIAL TICKET |                 | 1   | B      |     |
|   | P 10 | QPGA010-03003 | POLY.BAG      | FOR TRIM PLATE  | 1   |        |     |

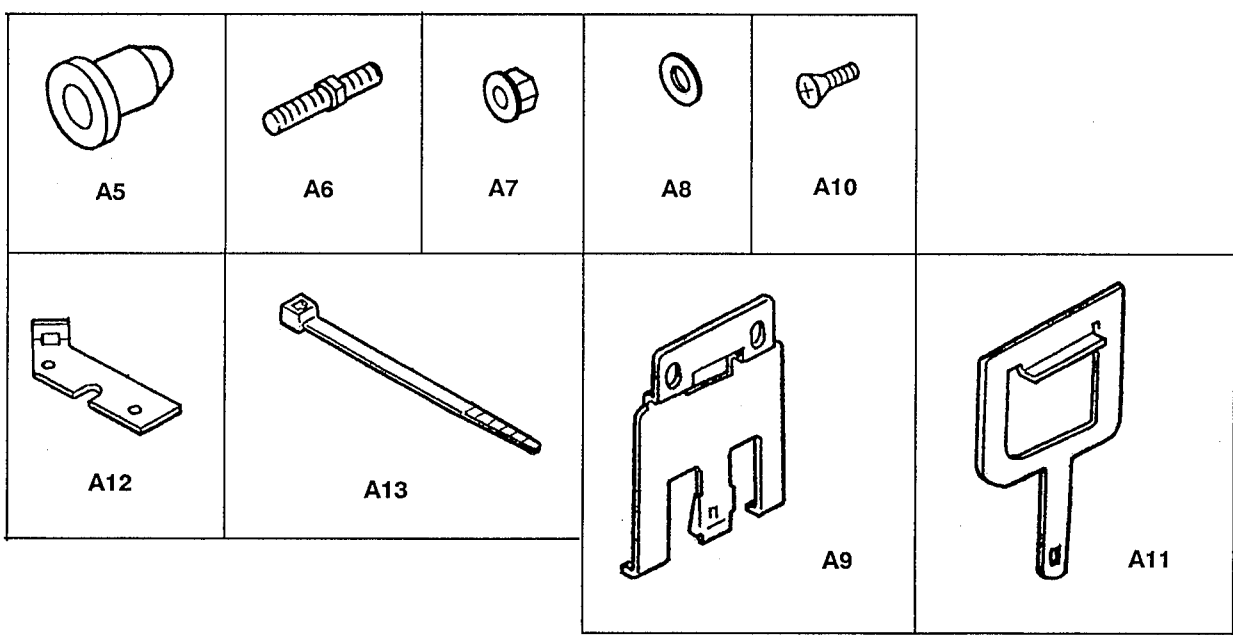


# 14. Accessories

BLOCK NO. M4MM

| REF.  | PARTS NO.     | PARTS NAME      | REMARKS         | QTY | SUFFIX      | CLR |
|-------|---------------|-----------------|-----------------|-----|-------------|-----|
| A 1   | VNN3496-211S  | INSTRUCTIONS    |                 | 1   | E,B,GI,G,GE |     |
|       | VNN3496-471S  | INSTRUCTIONS    |                 | 1   | GI          |     |
|       | VNN3496-451S  | INSTRUCTIONS    |                 | 1   | E           |     |
|       | VNN3496-481S  | INSTRUCTIONS    |                 | 1   | E           |     |
| A 2   | VNC2400-090   | CAUTION SHEET   |                 | 1   |             |     |
| A 3   | BT-20066A     | WARRANTY CARD   |                 | 1   | B           |     |
|       | BT-20135      | WARRANTY CARD   |                 | 1   | G           |     |
| A 4   | BT20060       | WARRANTY CARD   |                 | 1   | B           |     |
| A 5   | VKZ4027-002   | PLUG NUT        |                 | 1   |             |     |
| A 6   | VKH4871-001   | MOUNT BOLT      |                 | 1   |             |     |
| A 7   | VKZ4328-001   | LOCK NUT        | M5              | 1   |             |     |
| A 8   | WNS5000Z      | WASHER          |                 | 1   |             |     |
| A 9   | VKY3124-001   | SIDE SPRING     |                 | 2   |             |     |
| A 10  | SSSP4006Z     | SCREW           | SIDE SPRING     | 4   |             |     |
| A 11  | VKL7233-001   | HOOK            |                 | 2   |             |     |
| A 12  | VKL7649-001   | CORD HOLDER     |                 | 1   |             |     |
| A 13  | QHx5080-001   | WIRE CLAMP      | FOR CORD HOLDER | 1   |             |     |
| A 14  | SPSJ1725M     | MINI SCREW      |                 | 1   |             |     |
| A 15  | VND4619-001   | SHEET           |                 | 1   |             |     |
| A 16  | VJB2014-001   | HARD CASE       |                 | 1   |             |     |
| A 17  | VYSH118-002   | SPACER          |                 | 1   |             |     |
| A 18  | FSYH3008-002  | SPACER          | HARD CASE:INNER | 2   |             |     |
| A 19  | VKL3732-018SS | MOUNTING SLEEVE |                 | 1   |             |     |
| A 20  | VMC0014-145   | 11P CORD ASS'Y  |                 | 1   |             |     |
| A 21  | FSJD2004-002  | TRIM PLATE      |                 | 1   |             |     |
| A 22  | VND3050-001   | IDENTITY CARD   |                 | 1   |             |     |
| A 23  | VKL5460-001   | STAY            |                 | 1   |             |     |
| KIT 1 | KSRT60K-SCREW | SCREW PARTS KIT | P6,A5-A13       | 1   |             |     |

### Breakdown of screw kit ( KIT 1 )



**JVC**

VICTOR COMPANY OF JAPAN, LIMITED  
AUDIO PRODUCTS DIVISION 10-1, 1-chome, Ohwatari-machi, Maebashi-city, Japan